



**AERIAL FCC
2016.24.**

AERIAL FCC 2016.24.



The FIBRO cam unit FCC 2016.24. features compact dimensions, high forces in the working and return strokes as well as excellent precision, even after a high number of cycles.

All sliding elements are shouldered. The gas spring can be replaced, without having to remove the cam. Due to its design, the FIBRO cam unit series FCC meets the minimum maintenance requirements. The FIBRO cam unit FCC can be designed ex works with customer-specific tool-specific machining, which meets even the highest requirements of modern diemaking processes.

The FIBRO cam units FCC 2016.24. meet the requirements of the BAK product specification as well as the NAAMS.

Design features:

- Double prism guide
- Sliding surfaces hardened steel / bronze with solid lubricant
- Gas spring
- Positive locking connections

FIBRO cam units FCC 2016.24. are available in the widths from 60 to 600 mm and in the angular variants 0° to 75° (gradation 5°).

Order number	Width [mm]	Performance class [kN]*	Page
2016.24.006.□□.2000.00	60	125	57
2016.24.008.□□.1000.00	85	225	67
2016.24.011.□□.1000.00	110	350	77
2016.24.015.□□.1000.00	150	425	87
2016.24.018.□□.1000.00	180	500	97
2016.24.022.□□.1000.00	220	600	107
2016.24.026.□□.1000.00	260	650	117
2016.24.033.□□.2000.00	330	1000	127
2016.24.040.□□.2000.00	400	1050	137
2016.24.050.□□.2000.00	500	1150	147
2016.24.060.□□.2000.00	600	1200	157

* For exact power values, please refer to the force diagrams of the corresponding cam units

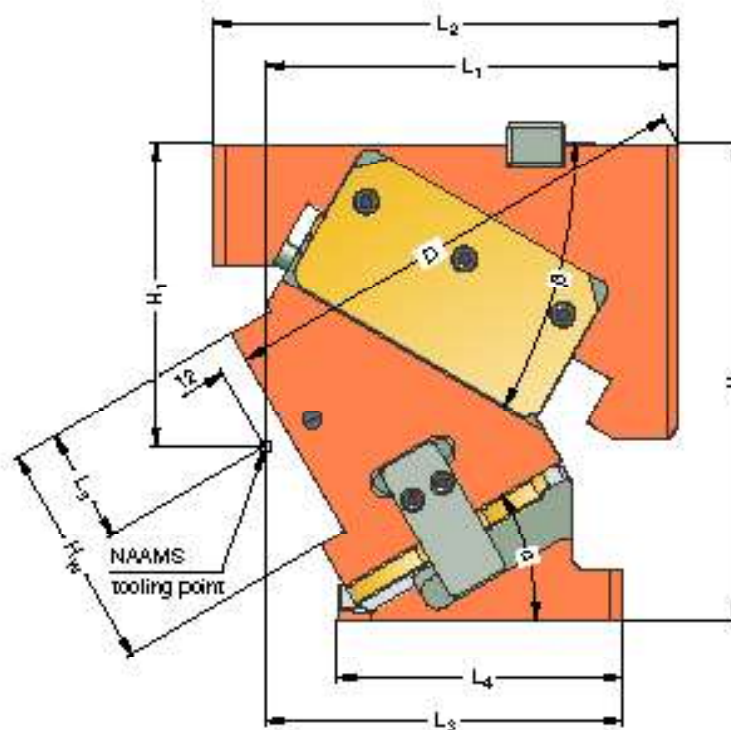
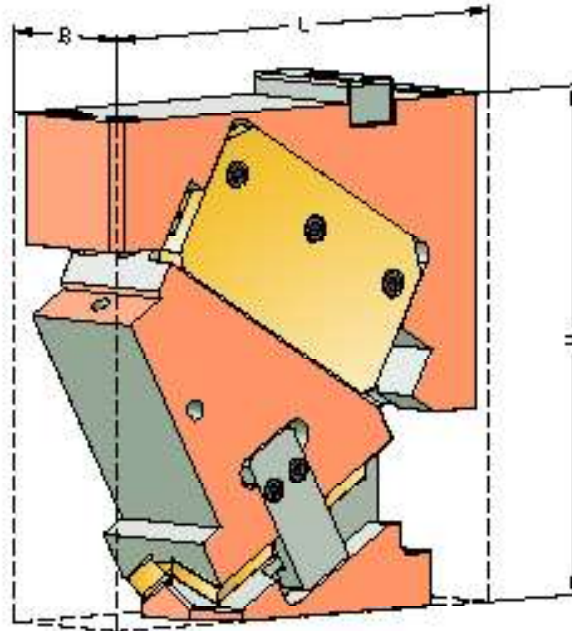
Ordering example:

FIBRO cam unit FCC, aerial, width 85 mm = 2016.24.008. □□.1000.00

Cam unit angle $\alpha = 50^\circ$ = 50.

Order number = 2016.24.008. 50. 1000.00

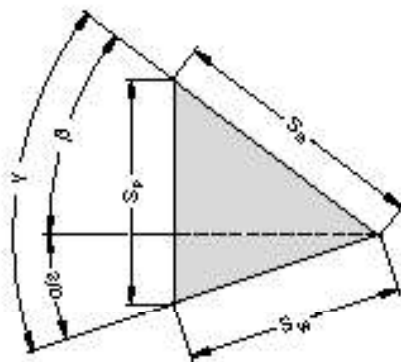
AERIAL FCC 2016.24.006. SIZE TABLE



AERIAL FCC

2016.24.006.

SIZE TABLE



Order number	L [mm]	B [mm]	H [mm]	H ₁ [mm]	H _w [mm]	L ₁ [mm]	L ₂ [mm]	L ₃ [mm]	L ₄ [mm]	L ₅ [mm]	D [mm]	α [°]	β [°]	S _w * [mm]	S _s [mm]	S _p * [mm]
2016.24.006.00.2000.00	205	60	210	105.00	100	187.00	205	162.00	155	50	175.00	0	50	19.3	30	23.0
2016.24.006.05.2000.00	205	60	210	108.23	100	186.86	205	161.86	150	50	183.58	5	45	21.3	30	23.1
2016.24.006.10.2000.00	205	60	210	111.43	100	186.44	205	161.44	145	50	190.95	10	45	21.5	30	25.0
2016.24.006.15.2000.00	205	60	210	124.58	100	185.74	205	160.74	140	60	199.65	15	40	23.8	30	25.4
2016.24.006.20.2000.00	205	60	210	127.66	100	184.77	205	159.77	140	50	205.29	20	40	24.5	30	27.6
2016.24.006.25.2000.00	205	60	210	130.64	100	183.53	205	158.53	125	50	209.55	25	35	27.1	30	28.7
2016.24.006.30.2000.00	205	60	210	133.50	100	182.04	205	157.04	125	50	212.40	30	30	30.0	30	30.0
2016.24.006.35.2000.00	205	60	210	136.22	100	180.31	205	155.31	115	50	213.83	35	30	31.7	30	33.2
2016.24.006.40.2000.00	220	60	210	138.78	100	178.34	220	168.34	110	45	213.83	40	25	35.5	30	35.5
2016.24.006.45.2000.00	235	60	210	141.16	100	206.16	235	166.16	105	40	233.60	45	25	38.5	30	39.9
2016.24.006.50.2000.00	220	60	210	148.34	100	188.78	220	178.78	105	40	222.99	50	20	43.9	30	43.9
2016.24.006.55.2000.00	220	60	210	150.31	100	186.22	220	176.22	105	40	217.94	55	20	49.1	30	50.5
2016.24.006.60.2000.00	220	60	210	152.04	100	183.50	220	173.50	92	30	211.42	60	15	58.0	30	58.0
2016.24.006.65.2000.00	220	60	210	153.53	100	180.64	220	170.64	85	30	203.49	65	15	68.6	30	69.9
2016.24.006.70.2000.00	220	60	210	174.77	100	162.66	220	152.66	85	50	207.86	70	15	70.6	25	72.8
2016.24.006.75.2000.00	235	60	210	175.74	100	159.58	235	149.58	80	50	199.05	75	10	76.1	20	77.0

* Values rounded

Mounting cam base:

Hexagon socket head cap screws DIN EN ISO 4762
Dowel pins DIN EN ISO 8735

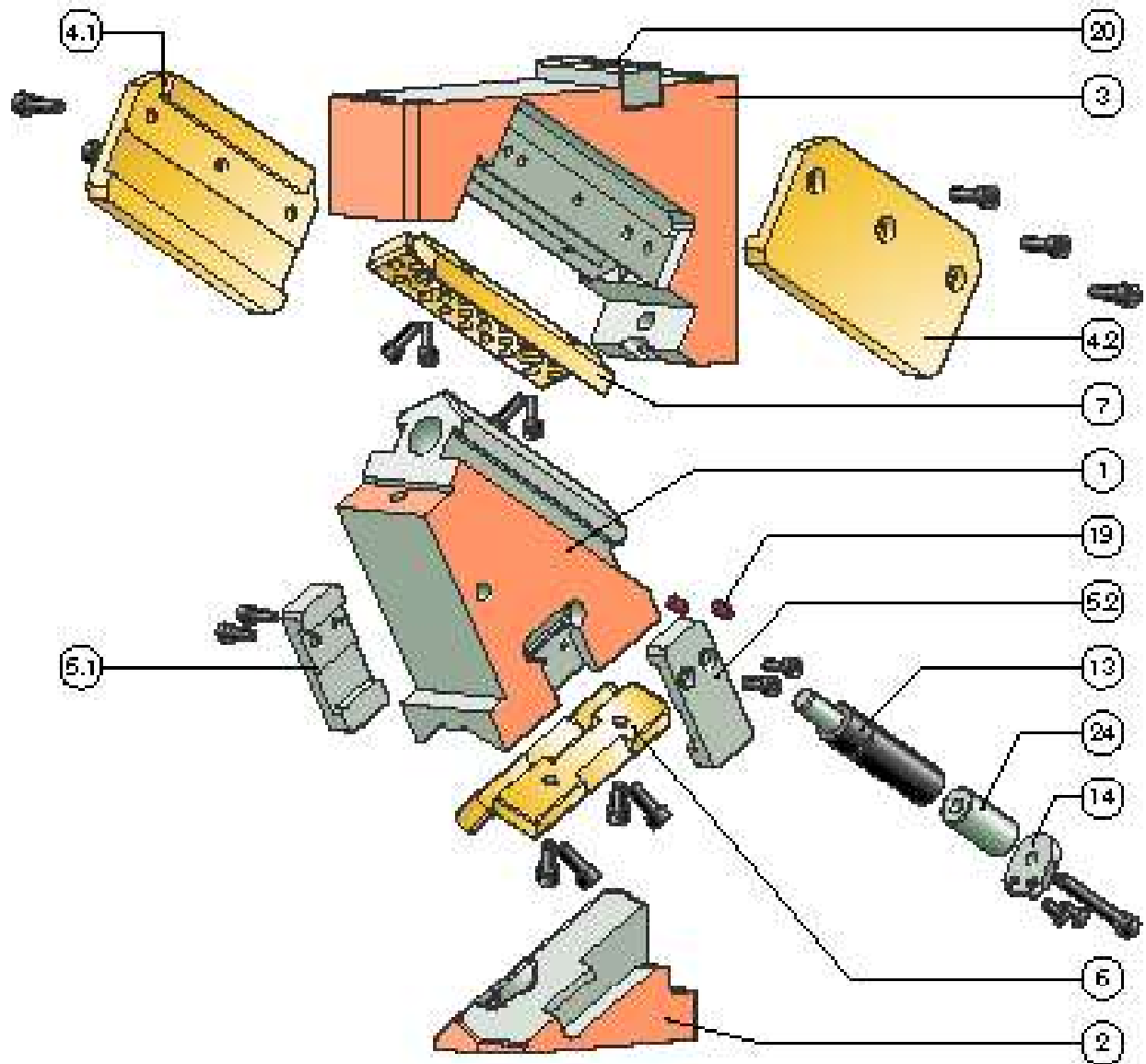
4x M12 / Strength class min. 8.8
2x Ø10

Mounting cam driver :

Hexagon socket head cap screws DIN EN ISO 4762
Dowel pins DIN EN ISO 8735

3x M10 / Strength class min. 8.8
2x Ø10

AERIAL FCC
2016.24.006.
EXPLODED VIEW



AERIAL FCC

2016.24.006.

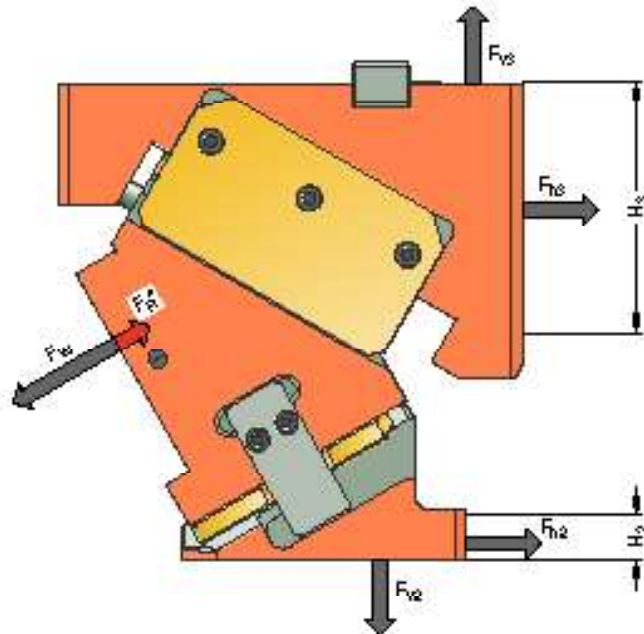
PARTS LIST

Position	Piece	Designation	Material	spare part
1	1	Slider	1.7225	--
2	1	Cam driver	1.7225	--
2.1				
2.2				
3	1	Cam base	1.7225	--
4.1	1	Clamp, left	Bronze with solid lubricant	x
4.2	1	Clamp, right	Bronze with solid lubricant	x
5.1	1	Positive return, left	1.7225	x
5.2	1	Positive return, right	1.7225	x
6	2	Sliding plate	Bronze with solid lubricant	x
7	2	Sliding plate	Bronze with solid lubricant	x
8				
9				
10				
11				
12				
13	1	Gas spring	2487.12.00170.□□□	x
14	1	Stop plate	1.7225	x
15				
16.1				
16.2				
17				
18 (not shown)	1	Lockout system		x
19	2	Damping element	Elastomer	x
20	1	Feather key (T-nut)		x
21				
22				
23				
24	1	Spacer	1.1191	x

For inquiries or when ordering spare parts (x), we require the following data:

- ▶ Cam unit order no.
- ▶ Cam unit serial no.
- ▶ Item number / Designation / Spare part

AERIAL FCC 2016.24.006. SYSTEM AND SURROUNDING FORCES



Order number	α [°]	F_W [kN]	F_{R^*} [kN]	F_{h2} [kN]	F_{v2} [kN]	F_{h3} [kN]	F_{v3} [kN]	H_2 [mm]	H_3 [mm]
2016.24.006.00.2000.00	0	136	2.6	0	114	136	114	22	150
2016.24.006.05.2000.00	5	137	2.7	10	115	126	126	22	140
2016.24.006.10.2000.00	10	138	2.9	17	95	119	119	22	140
2016.24.006.15.2000.00	15	139	3.0	25	94	109	130	22	130
2016.24.006.20.2000.00	20	140	3.3	28	76	104	124	22	120
2016.24.006.25.2000.00	25	141	3.4	34	74	93	133	22	120
2016.24.006.30.2000.00	30	142	3.4	41	71	82	142	22	110
2016.24.006.35.2000.00	35	143	3.9	38	55	79	137	22	110
2016.24.006.40.2000.00	40	143	4.0	43	51	67	143	40	100
2016.24.006.45.2000.00	45	143	4.7	37	37	64	138	22	100
2016.24.006.50.2000.00	50	142	4.8	40	33	52	142	22	90
2016.24.006.55.2000.00	55	142	6.0	31	22	50	138	22	90
2016.24.006.60.2000.00	60	142	6.0	33	19	38	142	22	80
2016.24.006.65.2000.00	65	142	8.2	23	11	37	139	22	80
2016.24.006.70.2000.00	70	141	12.0	12	4	37	137	70	70
2016.24.006.75.2000.00	75	141	11.4	12	3	25	139	70	70

* Retraction force values correspond to the spring-generated retraction force at the working point

The forces F_{h2} , F_{v2} as well as F_{h3} , F_{v3} act on the tool environment at maximum working force F_W .

AERIAL FCC

2016.24.006.

FORCE DIAGRAM

shouldered

		Width 60 mm			
		20	20	20	
Height 100 mm	0°	20	21	82	21
	20	20	28	109	28
	20	20	34	136	34
	20	20	27	109	27
	20	20	21	76	21

Support with feather key

		Width 60 mm			
		20	20	20	
Height 100 mm	0°	20	15	34	15
	20	20	20	35	20
	20	20	25	35	25
	20	20	20	35	20
	20	20	15	34	15

shouldered

		Width 60 mm			
		20	20	20	
Height 100 mm	5°	20	23	84	23
	20	20	30	111	30
	20	20	37	137	37
	20	20	30	110	30
	20	20	23	83	23

Support with feather key

		Width 60 mm			
		20	20	20	
Height 100 mm	5°	20	18	37	18
	20	20	22	40	22
	20	20	27	40	27
	20	20	22	40	22
	20	20	18	34	18

shouldered

		Width 60 mm			
		20	20	20	
Height 100 mm	10°	20	25	85	25
	20	20	32	112	32
	20	20	40	138	40
	20	20	32	111	32
	20	20	25	84	25

Support with feather key

		Width 60 mm			
		20	20	20	
Height 100 mm	10°	20	20	39	20
	20	20	22	41	22
	20	20	27	41	27
	20	20	22	41	22
	20	20	20	39	20

shouldered

		Width 60 mm			
		20	20	20	
Height 100 mm	15°	20	27	87	27
	20	20	35	113	35
	20	20	43	139	43
	20	20	35	113	35
	20	20	27	85	27

Support with feather key

		Width 60 mm			
		20	20	20	
Height 100 mm	15°	20	18	43	18
	20	20	24	45	24
	20	20	28	45	28
	20	20	24	45	24
	20	20	20	43	20

shouldered

		Width 60 mm			
		20	20	20	
Height 100 mm	20°	20	29	88	29
	20	20	37	114	37
	20	20	46	140	46
	20	20	37	114	37
	20	20	29	87	29

Support with feather key

		Width 60 mm			
		20	20	20	
Height 100 mm	20°	20	20	43	20
	20	20	25	50	25
	20	20	32	50	32
	20	20	26	50	26
	20	20	21	50	21

shouldered

		Width 60 mm			
		20	20	20	
Height 100 mm	25°	20	31	90	31
	20	20	40	116	40
	20	20	49	141	49
	20	20	40	115	40
	20	20	31	88	31

Support with feather key

		Width 60 mm			
		20	20	20	
Height 100 mm	25°	20	15	25	15
	20	20	23	55	23
	20	20	23	55	23
	20	20	23	55	23
	20	20	18	53	18

AERIAL FCC

2016.24.006.

FORCE DIAGRAM

shouldered

		Width 60 mm		
		20	20	20
Height 100 mm	20	33	91	33
	20	42	117	42
	20	52	142	52
	20	42	116	42
	20	33	89	33

Support with feather key

		Width 60 mm		
		20	20	20
Height 100 mm	20	20	60	20
	20	27	60	27
	20	30	62	30
	20	28	62	28
	20	24	60	24

35°

		Width 60 mm		
		20	20	20
Height 100 mm	20	35	93	35
	20	45	118	45
	20	54	143	54
	20	45	117	45
	20	35	91	35

35°

		Width 60 mm		
		20	20	20
Height 100 mm	20	16	60	16
	20	18	63	18
	20	20	64	20
	20	19	64	19
	20	17	61	17

40°

		Width 60 mm		
		20	20	20
Height 100 mm	20	34	89	34
	20	45	116	45
	20	56	143	56
	20	46	117	46
	20	35	91	35

40°

		Width 60 mm		
		20	20	20
Height 100 mm	20	15	54	15
	20	19	77	19
	20	19	77	19
	20	19	77	19
	20	17	69	17

45°

		Width 60 mm		
		20	20	20
Height 100 mm	20	33	84	33
	20	45	113	45
	20	57	143	57
	20	47	117	47
	20	36	90	36

45°

		Width 60 mm		
		20	20	20
Height 100 mm	20	10	27	10
	20	12	76	12
	20	13	80	13
	20	13	81	13
	20	12	67	12

50°

		Width 60 mm		
		20	20	20
Height 100 mm	20	32	80	32
	20	45	111	45
	20	58	142	58
	20	48	116	48
	20	37	90	37

50°

		Width 60 mm		
		20	20	20
Height 100 mm	20	14	32	14
	20	16	82	16
	20	16	95	16
	20	17	86	17
	20	15	66	15

55°

		Width 60 mm		
		20	20	20
Height 100 mm	20	31	75	31
	20	45	109	45
	20	60	142	60
	20	49	116	49
	20	37	90	37

55°

		Width 60 mm		
		20	20	20
Height 100 mm	20	10	13	10
	20	12	56	12
	20	13	105	13
	20	14	99	14
	20	13	76	13

AERIAL FCC

2016.24.006.

FORCE DIAGRAM

shouldered

		Width 60 mm		
		20	20	20
Height 100 mm	20	30	71	30
	20	45	106	45
	20	61	142	61
	20	50	115	50
	20	38	89	38

Support with feather key

		Width 60 mm		
		20	20	20
Height 100 mm	20	10	60	10
	20	12	91	12
	20	13	121	13
	20	14	98	14
	20	13	76	13

65°

		Width 60 mm		
		20	20	20
Height 100 mm	20	29	67	29
	20	45	104	45
	20	62	142	62
	20	51	115	51
	20	39	89	39

65°

		Width 60 mm		
		20	20	20
Height 100 mm	20	10	16	10
	20	12	50	12
	20	12	115	12
	20	12	110	12
	20	12	80	12

70°

		Width 60 mm		
		20	20	20
Height 100 mm	20	28	62	28
	20	46	102	46
	20	64	141	64
	20	52	115	52
	20	40	88	40

70°

		Width 60 mm		
		20	20	20
Height 100 mm	20	10	16	10
	20	12	45	12
	20	12	120	12
	20	12	115	12
	20	12	88	12

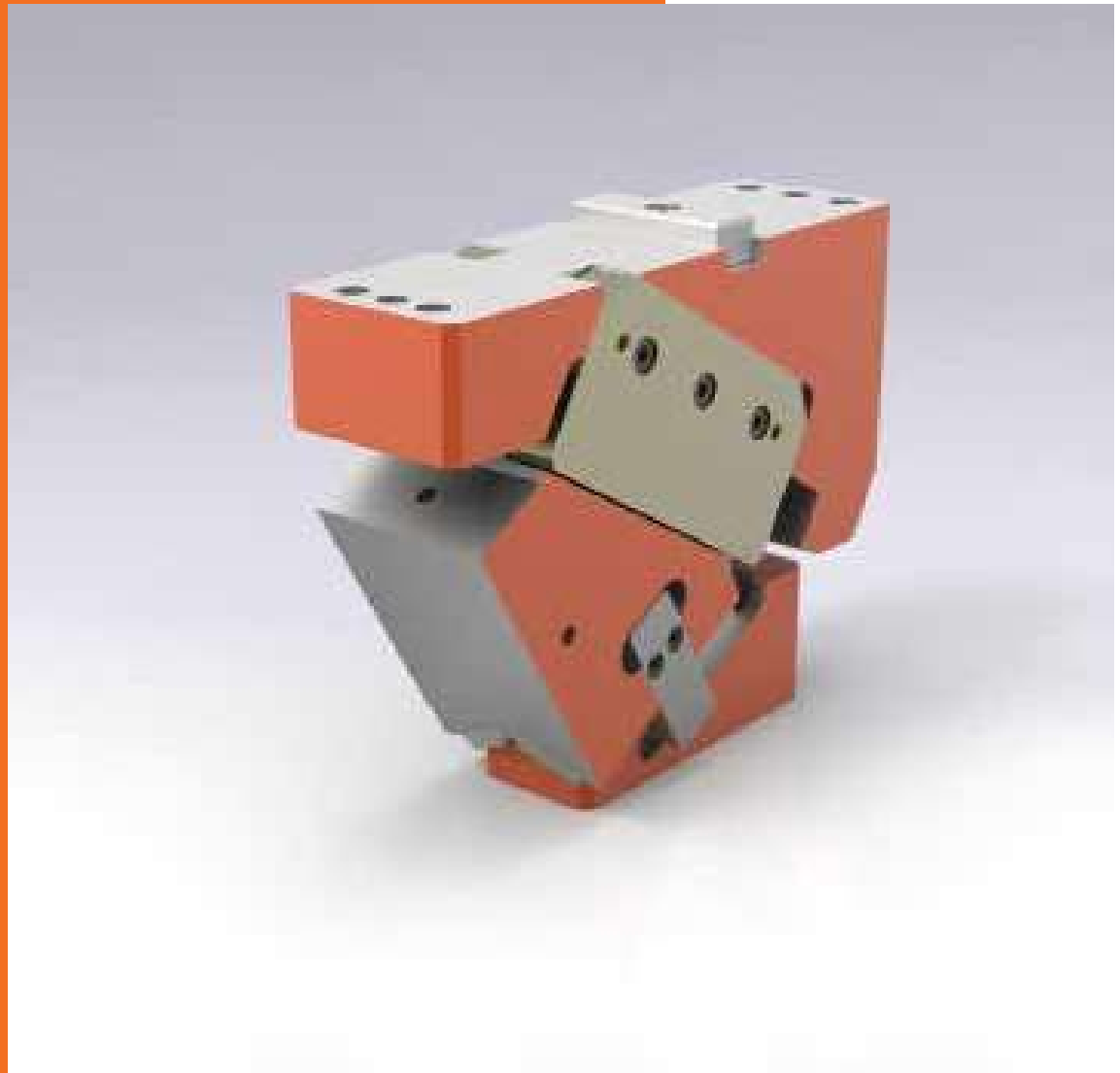
75°

		Width 60 mm		
		20	20	20
Height 100 mm	20	27	58	27
	20	46	100	46
	20	65	141	65
	20	53	114	53
	20	40	88	40

75°

		Width 60 mm		
		20	20	20
Height 100 mm	20	10	16	10
	20	12	38	12
	20	12	128	12
	20	12	114	12
	20	12	88	12

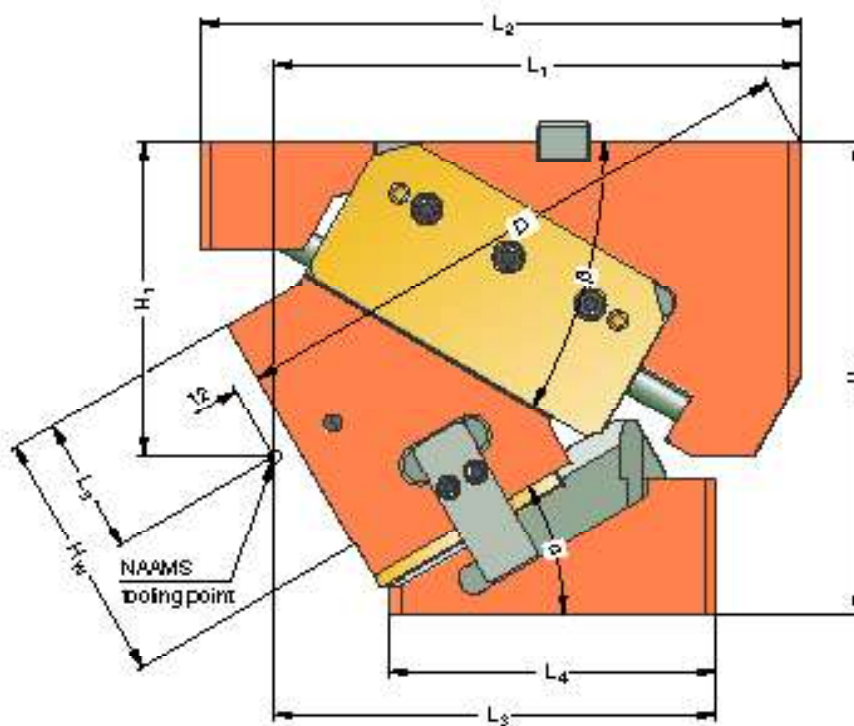
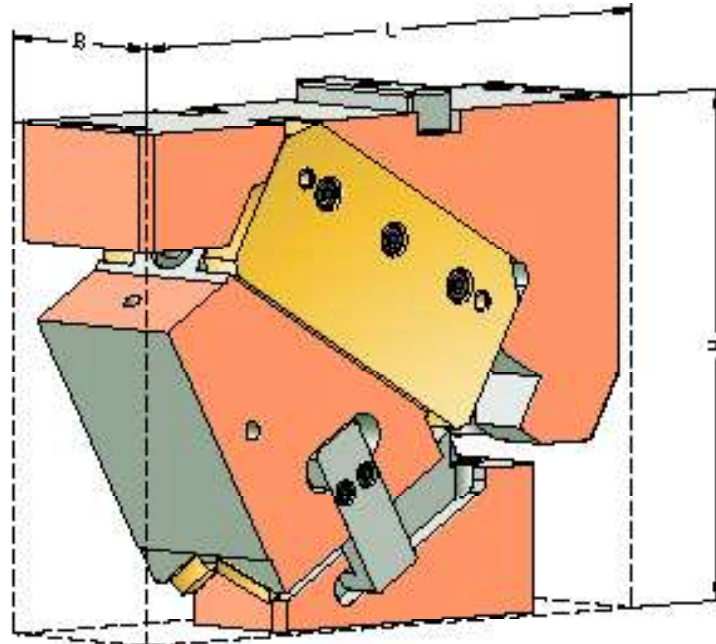




AERIAL FCC 2016.24.008.

Working width: 85 mm
Performance class: 225 kN

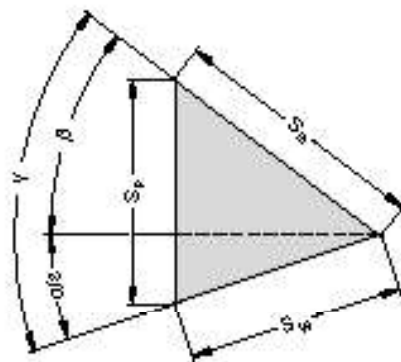
AERIAL FCC
2016.24.008.
SIZE TABLE



AERIAL FCC

2016.24.008.

SIZE TABLE



Order number	L [mm]	B [mm]	H [mm]	H ₁ [mm]	H _w [mm]	L ₁ [mm]	L ₂ [mm]	L ₃ [mm]	L ₄ [mm]	L ₅ [mm]	D [mm]	α [°]	β [°]	S _w * [mm]	S _s [mm]	S _p * [mm]
2016.24.008.00.1000.00	255	85	225	120	120	250	255	195	175	60	238.00	0	50	30.9	48	36.8
2016.24.008.05.1000.00	255	85	225	125	120	250	255	195	170	60	247.94	5	45	34.1	48	36.9
2016.24.008.10.1000.00	255	85	225	130	120	250	255	195	160	55	256.78	10	45	34.5	48	39.9
2016.24.008.15.1000.00	255	85	225	135	120	250	255	195	155	55	264.42	15	40	38.1	48	40.7
2016.24.008.20.1000.00	259	85	225	140	120	250	255	195	155	60	270.81	20	35	41.8	48	41.8
2016.24.008.25.1000.00	285	85	225	145	120	250	285	210	155	55	275.86	25	35	43.4	48	45.9
2016.24.008.30.1000.00	285	85	225	150	120	250	285	210	155	65	279.51	30	30	48.0	48	48.0
2016.24.008.35.1000.00	285	85	225	155	120	250	285	210	155	65	281.69	35	30	50.7	48	53.1
2016.24.008.40.1000.00	285	85	225	160	120	250	285	210	155	65	282.36	40	25	56.8	48	56.8
2016.24.008.45.1000.00	265	85	225	165	120	215	265	215	150	55	256.70	45	25	42.3	33	43.9
2016.24.008.50.1000.00	265	85	225	170	120	215	265	215	135	52	256.43	50	20	48.2	33	48.2
2016.24.008.55.1000.00	265	85	225	175	120	215	265	215	135	67	254.67	55	20	54.1	33	55.6
2016.24.008.60.1000.00	267	85	225	180	120	215	265	215	135	67	251.39	60	15	63.8	33	63.8
2016.24.008.65.1000.00	265	85	225	180	120	215	265	215	126	52	242.00	65	15	75.4	33	76.9
2016.24.008.70.1000.00	275	85	225	195	120	190	275	185	109	67	236.22	70	10	95.0	33	95.0
2016.24.008.75.1000.00	275	85	225	210	120	190	275	185	109	67	240.02	75	10	95.1	25	96.2

* Values rounded

Fastening cam base:

Hexagon socket head cap screws DIN EN ISO 4762
Dowel pins DIN EN ISO 8735

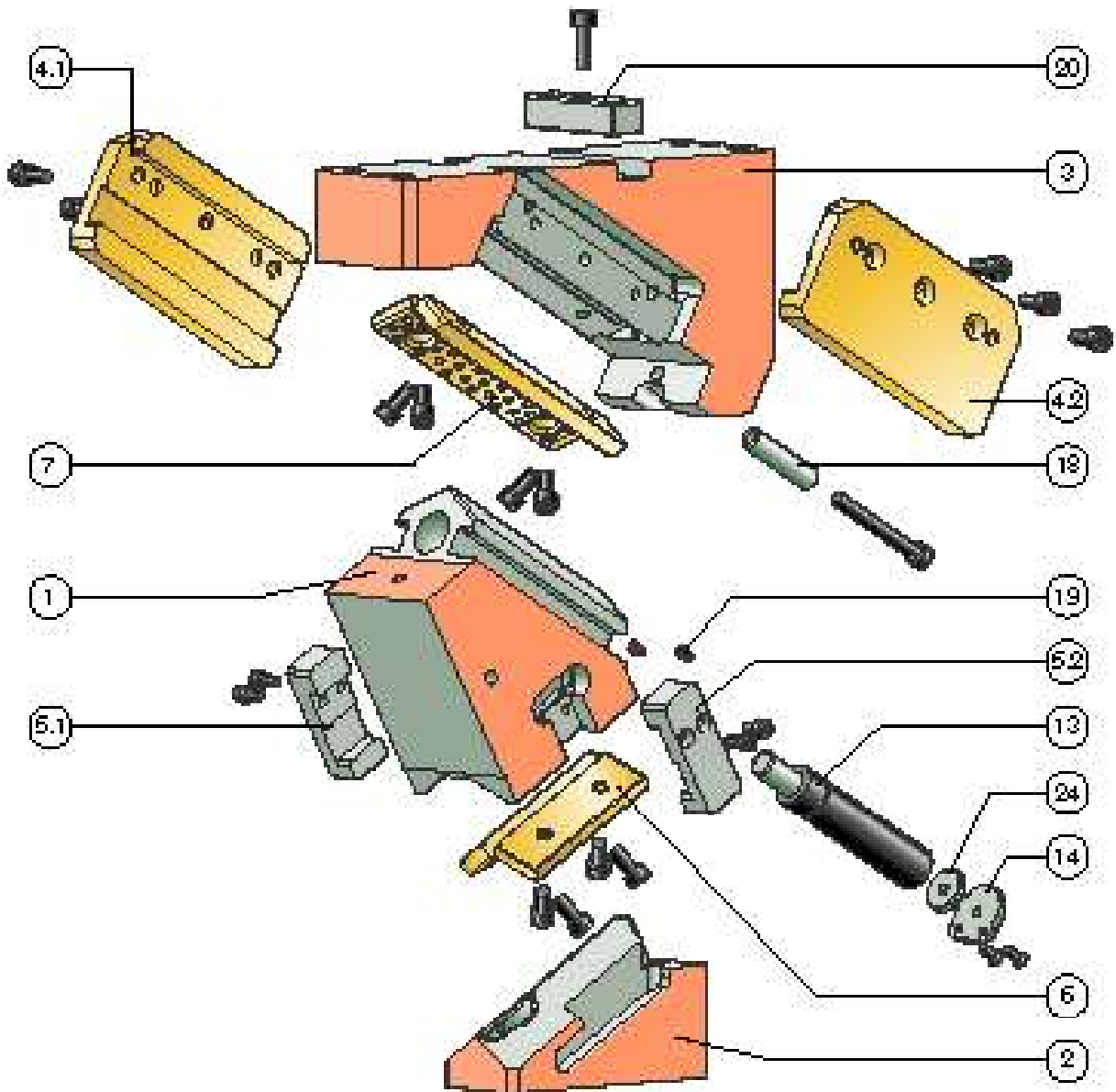
4x M12 / Strength class min. 8.8
2x Ø12

Fastening cam driver :

Hexagon socket head cap screws DIN EN ISO 4762
Dowel pins DIN EN ISO 8735

3x M12 / Strength class min. 8.8
2x Ø12

AERIAL FCC
2016.24.008.
EXPLODED VIEW



AERIAL FCC

2016.24.008.

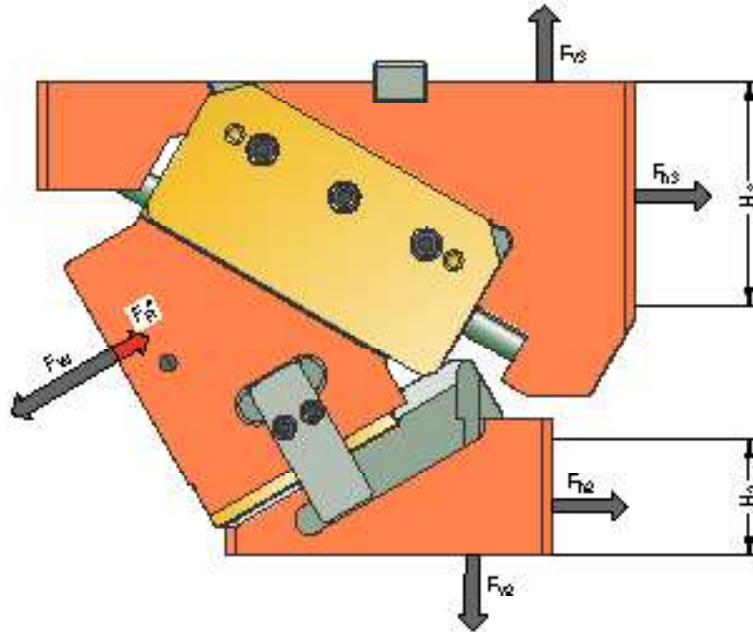
PARTS LIST

Position	Piece	Designation	Material	spare part
1	1	Slider	1.7225	--
2	1	Cam driver	1.7225	--
2.1				
2.2				
3	1	Cam base	1.7225	--
4.1	1	Clamp, left	Bronze with solid lubricant	x
4.2	1	Clamp, right	Bronze with solid lubricant	x
5.1	1	Positive return, left	1.7225	x
5.2	1	Positive return, right	1.7225	x
6	2	Sliding plate	Bronze with solid lubricant	x
7	2	Sliding plate	Bronze with solid lubricant	x
8				
9				
10				
11				
12				
13	1	Gas spring	2487.12.00320.□□□	x
14	1	Stop plate	1.7225	x
15				
16.1				
16.2				
17				
18	1	Lockout system		x
19	2	Damping element	Elastomer	x
20	1	Feather key (T-nut)		x
21				
22				
23				
24	1	Spacer	1.1191	x

For inquiries or when ordering spare parts (x), we require the following data:

- ▶ Cam unit order no.
- ▶ Cam unit serial no.
- ▶ Item number / Designation / Spare part

AERIAL FCC 2016.24.008. SYSTEM AND SURROUNDING FORCES



Order number	α [°]	F_W [kN]	F_R^* [kN]	F_{h2} [kN]	F_{v2} [kN]	F_{h3} [kN]	F_{v3} [kN]	H_2 [mm]	H_3 [mm]
2016.24.008.00.1000.00	0	230	5.1	0	230	193	193	25	150
2016.24.008.05.1000.00	5	230	5.2	17	212	192	212	25	140
2016.24.008.10.1000.00	10	230	5.7	28	199	159	199	25	140
2016.24.008.15.1000.00	15	230	5.7	42	180	156	215	25	120
2016.24.008.20.1000.00	20	230	5.7	55	161	151	230	25	120
2016.24.008.25.1000.00	25	229	6.4	56	152	120	217	25	120
2016.24.008.30.1000.00	30	229	6.4	66	132	115	229	40	110
2016.24.008.35.1000.00	35	229	7.4	61	126	87	219	40	110
2016.24.008.40.1000.00	40	237	7.8	71	111	85	237	50	85
2016.24.008.45.1000.00	45	245	8.3	63	110	63	236	50	95
2016.24.008.50.1000.00	50	253	8.4	71	92	59	253	50	70
2016.24.008.55.1000.00	55	261	10.5	57	92	40	254	50	70
2016.24.008.60.1000.00	60	269	10.5	62	72	36	269	50	55
2016.24.008.65.1000.00	65	277	14.2	44	73	21	272	70	55
2016.24.008.70.1000.00	70	285	14.3	47	50	17	285	85	70
2016.24.008.75.1000.00	75	293	20.9	25	51	7	290	100	70

* Retraction force values correspond to the spring-generated retraction force at the working point

The forces F_{h2} , F_{v2} as well as F_{h3} , F_{v3} act on the tool environment at maximum working force F_W .

AERIAL FCC

2016.24.008.

FORCE DIAGRAM

shouldered

		Width 85 mm		
		32.5	20	32.5
Height 120 mm	24	49	129	49
	24	69	180	69
	24	88	230	88
	24	63	165	63
	24	38	99	38
	0°			

Support with feather key

		Width 85 mm		
		32.5	20	32.5
Height 120 mm	24	39	50	39
	24	45	56	45
	24	45	56	45
	24	45	56	45
	24	36	56	36
	0°			

		Width 85 mm		
		32.5	20	32.5
Height 120 mm	24	49	128	49
	24	68	179	68
	24	88	230	88
	24	63	166	63
	24	39	101	39
	5°			

		Width 85 mm		
		32.5	20	32.5
Height 120 mm	24	39	57	39
	24	43	62	43
	24	45	62	45
	24	45	62	45
	24	32	62	32
	5°			

		Width 85 mm		
		32.5	20	32.5
Height 120 mm	24	48	127	48
	24	68	178	68
	24	87	230	87
	24	63	167	63
	24	40	104	40
	10°			

		Width 85 mm		
		32.5	20	32.5
Height 120 mm	24	39	60	39
	24	39	62	39
	24	45	62	45
	24	45	62	45
	24	35	62	35
	10°			

		Width 85 mm		
		32.5	20	32.5
Height 120 mm	24	47	126	47
	24	67	178	67
	24	87	230	87
	24	64	168	64
	24	40	106	40
	15°			

		Width 85 mm		
		32.5	20	32.5
Height 120 mm	24	35	72	35
	24	48	74	48
	24	53	74	53
	24	54	74	54
	24	36	74	36
	15°			

		Width 85 mm		
		32.5	20	32.5
Height 120 mm	24	47	125	47
	24	67	177	67
	24	86	230	86
	24	64	170	64
	24	41	108	41
	20°			

		Width 85 mm		
		32.5	20	32.5
Height 120 mm	24	32	76	32
	24	48	78	48
	24	54	78	54
	24	54	78	54
	24	37	76	37
	20°			

		Width 85 mm		
		32.5	20	32.5
Height 120 mm	24	46	123	46
	24	66	176	66
	24	86	229	86
	24	64	171	64
	24	42	111	42
	25°			

		Width 85 mm		
		32.5	20	32.5
Height 120 mm	24	28	80	28
	24	40	85	40
	24	56	85	56
	24	49	85	49
	24	38	85	38
	25°			

AERIAL FCC 2016.24.008. FORCE DIAGRAM

shouldered

		Width 85 mm			
		32.5	20	32.5	
Height 120 mm	30°	24	46	122	46
	24	24	66	176	66
	24	24	85	229	85
	24	24	64	172	64
	24	24	43	113	43

Support with feather key

		Width 85 mm			
		32.5	20	32.5	
Height 120 mm	30°	24	27	72	27
	24	24	39	84	39
	24	24	51	90	51
	24	24	42	90	42
	24	24	38	86	38

shouldered

		Width 85 mm			
		32.5	20	32.5	
Height 120 mm	35°	24	45	121	45
	24	24	65	175	65
	24	24	85	229	85
	24	24	64	173	64
	24	24	44	118	44

Support with feather key

		Width 85 mm			
		32.5	20	32.5	
Height 120 mm	35°	24	27	74	27
	24	24	39	95	39
	24	24	51	95	51
	24	24	39	95	39
	24	24	39	88	39

shouldered

		Width 85 mm			
		32.5	20	32.5	
Height 120 mm	40°	24	43	119	43
	24	24	63	178	63
	24	24	84	237	84
	24	24	63	178	63
	24	24	42	119	42

Support with feather key

		Width 85 mm			
		32.5	20	32.5	
Height 120 mm	40°	24	27	78	27
	24	24	43	113	43
	24	24	72	108	72
	24	24	56	108	56
	24	24	38	105	38

shouldered

		Width 85 mm			
		32.5	20	32.5	
Height 120 mm	45°	24	40	116	40
	24	24	61	181	61
	24	24	82	245	82
	24	24	62	183	62
	24	24	41	121	41

Support with feather key

		Width 85 mm			
		32.5	20	32.5	
Height 120 mm	45°	24	25	78	25
	24	24	43	118	43
	24	24	74	123	74
	24	24	55	108	55
	24	24	40	105	40

shouldered

		Width 85 mm			
		32.5	20	32.5	
Height 120 mm	50°	24	38	114	38
	24	24	60	183	60
	24	24	81	253	81
	24	24	61	188	61
	24	24	40	123	40

Support with feather key

		Width 85 mm			
		32.5	20	32.5	
Height 120 mm	50°	24	24	84	24
	24	24	53	135	53
	24	24	73	145	73
	24	24	55	139	55
	24	24	39	115	39

shouldered

		Width 85 mm			
		32.5	20	32.5	
Height 120 mm	55°	24	38	114	38
	24	24	60	183	60
	24	24	81	253	81
	24	24	61	188	61
	24	24	40	123	40

Support with feather key

		Width 85 mm			
		32.5	20	32.5	
Height 120 mm	55°	24	22	94	22
	24	24	42	141	42
	24	24	73	174	73
	24	24	54	172	54
	24	24	38	125	38

AERIAL FCC

2016.24.008.

FORCE DIAGRAM

shouldered

		Width 85 mm		
		32.5	20	32.5
Height 120 mm	24	33	108	33
	24	56	189	56
	24	79	269	79
	24	58	198	58
	24	37	126	37

Support with feather key

		Width 85 mm		
		32.5	20	32.5
Height 120 mm	24	21	92	21
	24	35	143	35
	24	50	197	50
	24	42	175	42
	24	31	126	31

65°

		Width 85 mm		
		32.5	20	32.5
Height 120 mm	24	31	106	31
	24	54	192	54
	24	77	277	77
	24	57	203	57
	24	36	128	36

65°

		Width 85 mm		
		32.5	20	32.5
Height 120 mm	24	20	98	20
	24	36	178	36
	24	52	203	52
	24	43	189	43
	24	32	119	32

70°

		Width 85 mm		
		32.5	20	32.5
Height 120 mm	24	28	103	28
	24	52	194	52
	24	76	285	76
	24	56	208	56
	24	35	130	35

70°

		Width 85 mm		
		32.5	20	32.5
Height 120 mm	24	19	103	19
	24	35	194	35
	24	51	205	51
	24	37	192	37
	24	23	130	23

75°

		Width 85 mm		
		32.5	20	32.5
Height 120 mm	24	26	101	26
	24	50	197	50
	24	75	293	75
	24	54	212	54
	24	34	132	34

75°

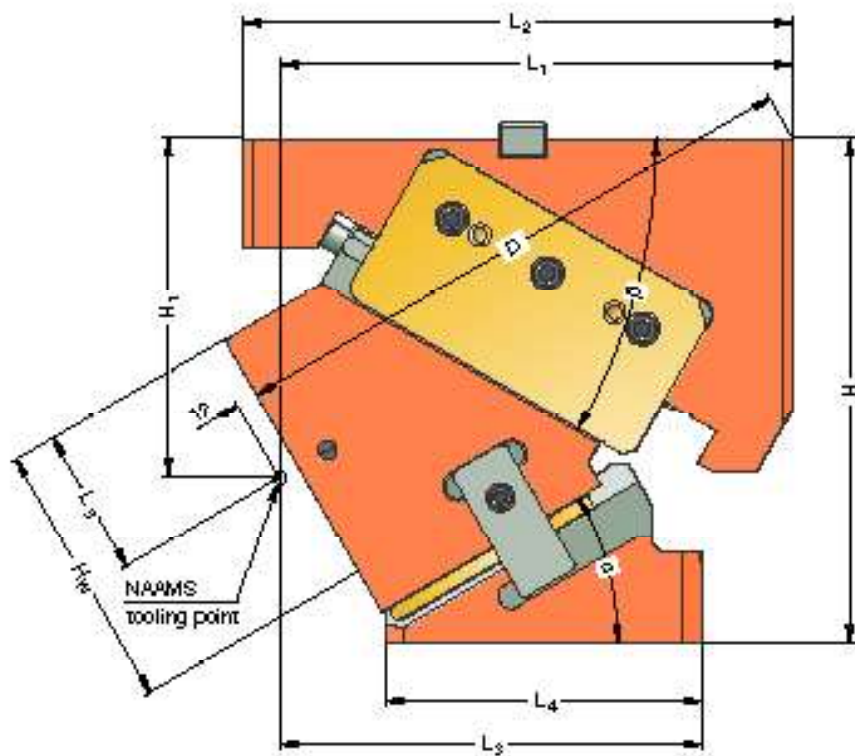
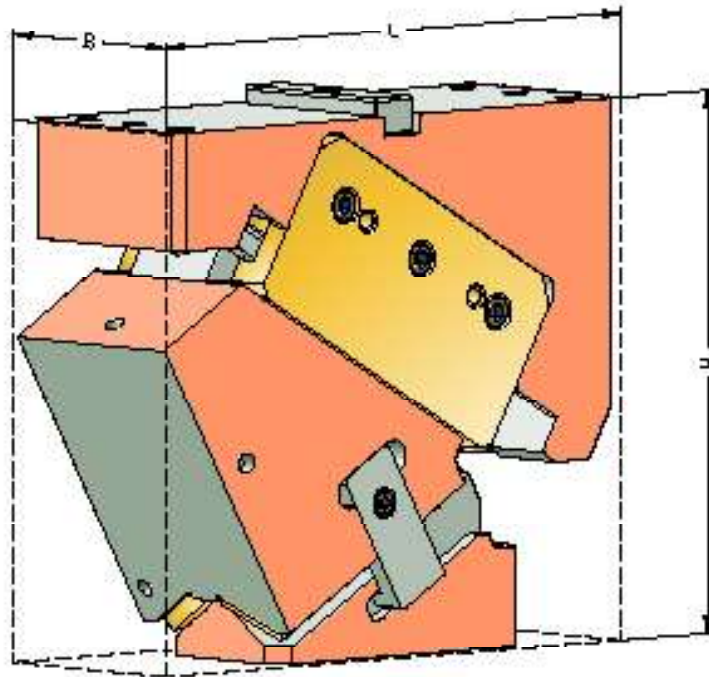
		Width 85 mm		
		32.5	20	32.5
Height 120 mm	24	17	101	17
	24	34	197	34
	24	50	225	50
	24	36	225	36
	24	22	132	22



AERIAL FCC 2016.24.011.

Working width: 110 mm
Performance class: 350 kN

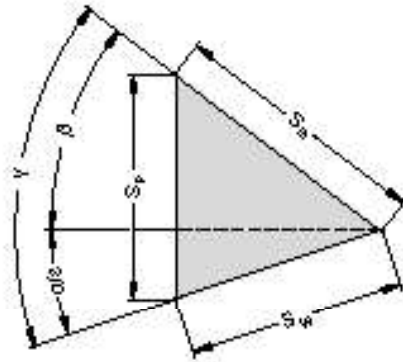
AERIAL FCC
2016.24.011.
SIZE TABLE



AERIAL FCC

2016.24.011.

SIZE TABLE



Order number	L [mm]	B [mm]	H [mm]	H ₁ [mm]	H _W [mm]	L ₁ [mm]	L ₂ [mm]	L ₃ [mm]	L ₄ [mm]	L ₅ [mm]	D [mm]	α [°]	β [°]	S _W * [mm]	S _S [mm]	S _P * [mm]
2016.24.011.00.1000.00	290	110	275	155	160	290	290	230	210	85	278.0	0	50	30.9	48	36.8
2016.24.011.05.1000.00	290	110	275	160	160	290	290	230	205	85	290.8	5	45	34.1	48	36.9
2016.24.011.10.1000.00	293	110	275	165	160	290	290	230	195	85	302.2	10	45	34.5	48	39.9
2016.24.011.15.1000.00	300	110	275	170	160	290	290	230	190	85	312.1	15	40	38.1	48	40.7
2016.24.011.20.1000.00	308	110	275	175	160	290	290	230	185	85	320.4	20	35	41.8	48	41.8
2016.24.011.25.1000.00	303	110	275	180	160	280	300	230	178	80	317.8	25	35	43.4	48	45.9
2016.24.011.30.1000.00	310	110	275	185	160	280	300	230	172	80	323.0	30	30	48.0	48	48.0
2016.24.011.35.1000.00	316	110	275	190	160	280	300	230	167	80	326.3	35	30	50.7	48	53.1
2016.24.011.40.1000.00	322	110	275	195	160	280	300	230	163	80	327.8	40	25	56.8	48	56.8
2016.24.011.45.1000.00	312	110	275	200	160	260	295	250	183	85	313.3	45	25	61.5	48	63.8
2016.24.011.50.1000.00	310	110	275	205	160	260	295	250	172	75	312.2	50	20	48.2	33	48.2
2016.24.011.55.1000.00	302	110	275	210	160	260	295	250	157	60	309.2	55	20	54.1	33	55.6
2016.24.011.60.1000.00	306	110	275	215	160	260	295	250	155	60	304.2	60	15	63.8	33	63.8
2016.24.011.65.1000.00	295	110	275	225	160	250	295	250	137	45	297.6	65	15	75.4	33	76.9
2016.24.011.70.1000.00	295	110	275	235	160	250	295	250	135	45	294.3	70	10	95.0	33	95.0
2016.24.011.75.1000.00	310	110	275	235	160	250	310	250	134	45	279.7	75	10	95.1	25	96.2

* Values rounded

Fastening cam base:

Hexagon socket head cap screws DIN EN ISO 4762
Dowel pins DIN EN ISO 8735

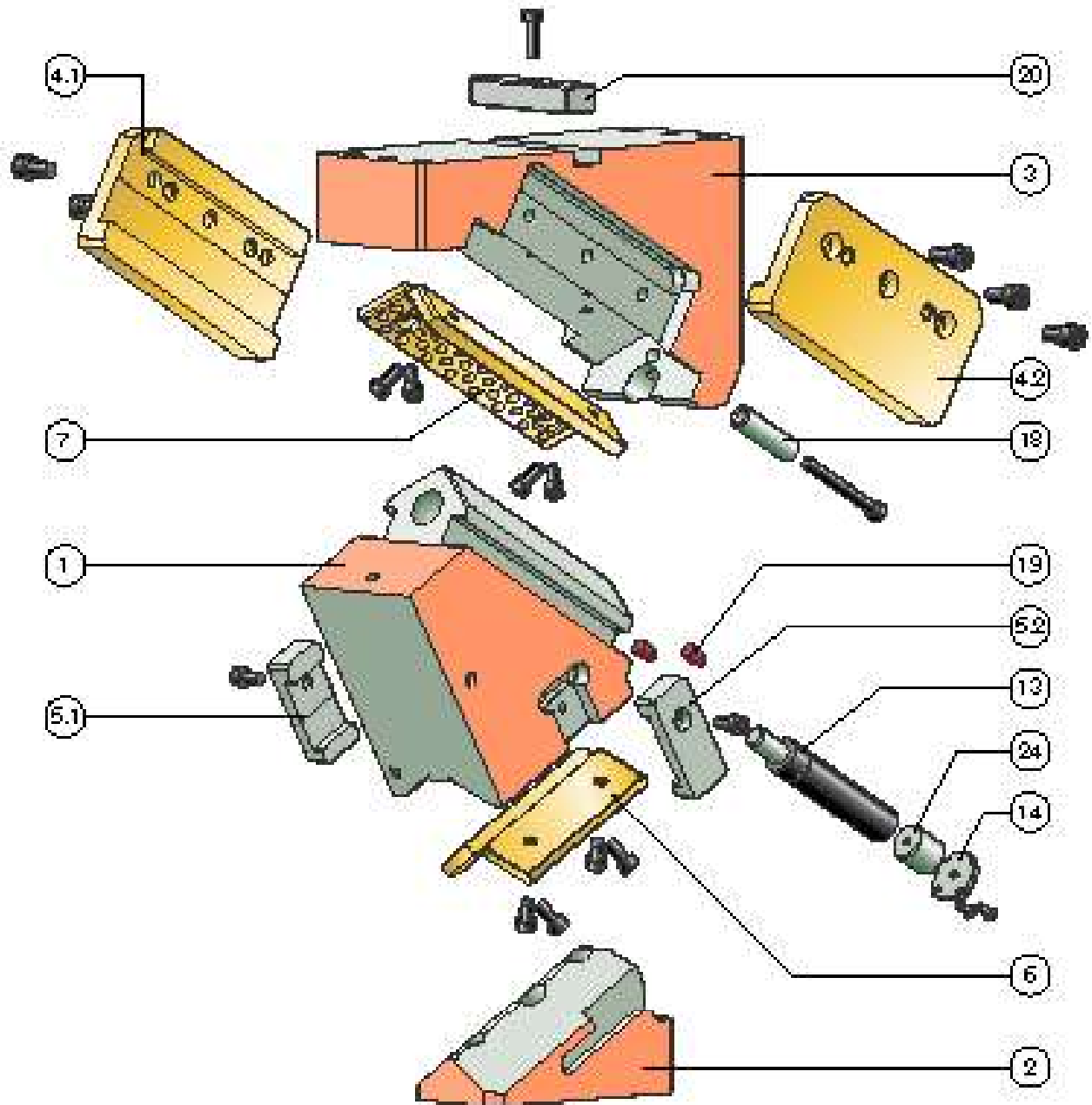
4x M12 / Strength class min. 8.8
2x Ø12

Fastening cam driver :

Hexagon socket head cap screws DIN EN ISO 4762
Dowel pins DIN EN ISO 8735

4x M12 / Strength class min. 8.8
2x Ø12

AERIAL FCC
2016.24.011.
EXPLODED VIEW



AERIAL FCC

2016.24.011.

PARTS LIST

Position	Piece	Designation	Material	spare part
1	1	Slider	1.7225	--
2	1	Cam driver	1.7225	--
2.1				
2.2				
3	1	Cam base	1.7225	--
4.1	1	Clamp, left	Bronze with solid lubricant	x
4.2	1	Clamp, right	Bronze with solid lubricant	x
5.1	1	Positive return, left	1.7225	x
5.2	1	Positive return, right	1.7225	x
6	2	Sliding plate	Bronze with solid lubricant	x
7	2	Sliding plate	Bronze with solid lubricant	x
8				
9				
10				
11				
12				
13	1	Gas spring	2487.12.00320.□□□	x
14	1	Stop plate	1.7225	x
15				
16.1				
16.2				
17				
18	1	Lockout system		x
19	2	Damping element	Elastomer	x
20	1	Feather key (T-nut)		x
21				
22				
23				
24	1	Spacer	1.1191	x

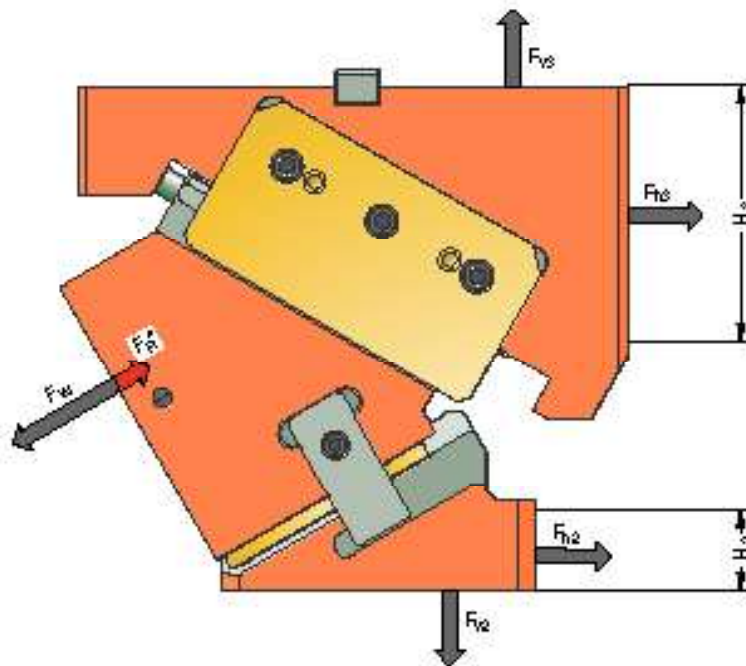
For inquiries or when ordering spare parts (x), we require the following data:

- ▶ Cam unit order no.
- ▶ Cam unit serial no.
- ▶ Item number / Designation / Spare part

AERIAL FCC

2016.24.011.

SYSTEM AND SURROUNDING FORCES



Order number	α [°]	F_W [kN]	F_R^* [kN]	F_{h2} [kN]	F_{v2} [kN]	F_{h3} [kN]	F_{v3} [kN]	H_2 [mm]	H_3 [mm]
2016.24.011.00.1000.00	0	375	5.2	0	315	375	315	25	160
2016.24.011.05.1000.00	5	355	5.3	26	297	328	328	25	150
2016.24.011.10.1000.00	10	359	5.8	44	248	310	310	25	150
2016.24.011.15.1000.00	15	372	5.8	67	252	292	348	30	140
2016.24.011.20.1000.00	20	375	5.8	90	247	263	375	30	130
2016.24.011.25.1000.00	25	378	6.5	92	198	250	358	30	130
2016.24.011.30.1000.00	30	381	6.5	110	191	220	381	40	120
2016.24.011.35.1000.00	35	384	7.5	103	147	212	367	40	120
2016.24.011.40.1000.00	40	387	7.5	116	138	180	387	40	100
2016.24.011.45.1000.00	45	390	9.0	100	100	175	376	50	100
2016.24.011.50.1000.00	50	393	8.2	110	92	143	393	50	100
2016.24.011.55.1000.00	55	396	10.2	87	61	140	385	65	100
2016.24.011.60.1000.00	60	399	10.2	93	53	107	399	75	100
2016.24.011.65.1000.00	65	402	13.8	64	30	106	394	80	90
2016.24.011.70.1000.00	70	405	13.8	67	24	71	405	85	82
2016.24.011.75.1000.00	75	407	21.0	34	9	71	402	90	56

* Retraction force values correspond to the spring-generated retraction force at the working point

The forces F_{h2} , F_{v2} as well as F_{h3} , F_{v3} act on the tool environment at maximum working force F_W .

AERIAL FCC

2016.24.011.

FORCE DIAGRAM

shouldered

		Width 110 mm					
		25	20	20	20	25	
Height 160 mm	0°	32	59	95	226	95	59
	32	76	123	292	123	76	
	32	93	150	357	150	93	
	32	85	137	326	137	85	
	32	76	124	294	124	76	

Support with feather key

		Width 110 mm					
		25	20	20	20	25	
Height 160 mm	0°	32	35	57	70	57	35
	32	45	57	73	57	45	
	32	56	57	73	57	56	
	32	51	57	73	57	51	
	32	46	57	73	57	46	

		Width 110 mm					
		25	20	20	20	25	
Height 160 mm	5°	32	55	92	225	92	55
	32	74	123	305	123	74	
	32	92	155	366	155	92	
	32	82	137	334	137	82	
	32	72	120	294	120	72	

		Width 110 mm					
		25	20	20	20	25	
Height 160 mm	5°	32	33	55	79	55	33
	32	44	58	82	58	44	
	32	55	60	82	60	55	
	32	49	60	82	60	49	
	32	43	58	82	58	43	

		Width 110 mm					
		25	20	20	20	25	
Height 160 mm	10°	32	52	88	224	88	52
	32	72	124	316	124	72	
	32	91	159	369	159	91	
	32	79	138	337	138	79	
	32	68	116	294	116	68	

		Width 110 mm					
		25	20	20	20	25	
Height 160 mm	10°	32	31	53	82	53	31
	32	43	74	85	74	43	
	32	55	83	86	83	55	
	32	48	83	86	83	48	
	32	41	69	84	69	41	

		Width 110 mm					
		25	20	20	20	25	
Height 160 mm	15°	32	48	85	223	85	48
	32	69	125	322	125	69	
	32	91	164	372	164	91	
	32	77	138	340	138	77	
	32	63	112	293	112	63	

		Width 110 mm					
		25	20	20	20	25	
Height 160 mm	15°	32	29	51	92	51	29
	32	42	75	92	75	42	
	32	54	83	93	83	54	
	32	46	83	93	83	46	
	32	38	67	92	67	38	

		Width 110 mm					
		25	20	20	20	25	
Height 160 mm	20°	32	45	82	222	82	45
	32	67	125	328	125	67	
	32	90	168	375	168	90	
	32	74	138	343	138	74	
	32	59	108	293	108	59	

		Width 110 mm					
		25	20	20	20	25	
Height 160 mm	20°	32	27	49	97	49	27
	32	40	75	103	75	40	
	32	54	83	103	83	54	
	32	45	83	103	83	45	
	32	35	65	103	65	35	

		Width 110 mm					
		25	20	20	20	25	
Height 160 mm	25°	32	41	78	221	78	41
	32	65	126	334	126	65	
	32	89	173	378	173	89	
	32	72	138	345	138	72	
	32	55	104	293	104	55	

		Width 110 mm					
		25	20	20	20	25	
Height 160 mm	25°	32	25	47	98	47	25
	32	39	75	110	75	39	
	32	53	83	115	83	53	
	32	43	83	115	83	43	
	32	33	62	112	62	33	

AERIAL FCC 2016.24.011. FORCE DIAGRAM

shouldered

		Width 110 mm				
		25	20	20	20	25
Height 160 mm	32	38	75	220	75	38
	32	63	126	340	126	63
	32	88	177	381	177	88
	32	69	139	348	139	69
	32	50	100	293	100	50

Support with feather key

		Width 110 mm				
		25	20	20	20	25
Height 160 mm	32	23	45	100	45	23
	32	38	76	120	76	38
	32	53	83	125	83	53
	32	42	83	125	83	42
	32	30	60	125	60	30

		Width 110 mm				
		25	20	20	20	25
Height 160 mm	32	35	72	219	72	35
	32	61	127	346	127	61
	32	87	182	384	182	87
	32	67	139	351	139	67
	32	46	96	293	96	46

		Width 110 mm				
		25	20	20	20	25
Height 160 mm	32	21	43	105	43	21
	32	37	76	126	76	37
	32	52	93	127	93	52
	32	40	83	127	83	40
	32	28	58	126	58	28

		Width 110 mm				
		25	20	20	20	25
Height 160 mm	32	34	72	226	72	34
	32	60	126	344	126	60
	32	86	181	387	181	86
	32	65	136	352	136	65
	32	44	91	283	91	44

		Width 110 mm				
		25	20	20	20	25
Height 160 mm	32	22	56	135	56	22
	32	38	80	142	80	38
	32	54	114	156	114	54
	32	41	86	154	86	41
	32	28	58	150	58	28

		Width 110 mm				
		25	20	20	20	25
Height 160 mm	32	34	72	232	72	34
	32	59	126	342	126	59
	32	85	180	390	180	85
	32	63	133	353	133	63
	32	41	87	274	87	41

		Width 110 mm				
		25	20	20	20	25
Height 160 mm	32	22	46	148	46	22
	32	38	80	151	80	38
	32	54	114	165	114	54
	32	40	84	165	84	40
	32	26	55	140	55	26

		Width 110 mm				
		25	20	20	20	25
Height 160 mm	32	34	72	239	72	34
	32	59	126	340	126	59
	32	84	179	393	179	84
	32	61	130	354	130	61
	32	39	82	264	82	39

		Width 110 mm				
		25	20	20	20	25
Height 160 mm	32	21	46	149	46	21
	32	37	79	167	79	37
	32	53	113	190	113	53
	32	39	82	189	82	39
	32	24	52	150	52	24

		Width 110 mm				
		25	20	20	20	25
Height 160 mm	32	34	73	245	73	34
	32	58	125	338	125	58
	32	82	178	396	178	82
	32	59	128	356	128	59
	32	36	77	255	77	36

		Width 110 mm				
		25	20	20	20	25
Height 160 mm	32	21	46	153	46	21
	32	37	79	170	79	37
	32	52	112	193	112	52
	32	37	81	193	81	37
	32	23	49	159	49	23

AERIAL FCC

2016.24.011.

FORCE DIAGRAM

shouldered

		Width 110 mm				
		25	20	20	20	25
Height 160 mm	32	33	73	252	73	33
	32	57	125	336	125	57
	32	81	177	399	177	81
	32	57	125	357	125	57
	32	34	73	246	73	34

Support with feather key

		Width 110 mm				
		25	20	20	20	25
Height 160 mm	32	21	46	161	46	21
	32	36	79	172	79	36
	32	51	112	253	112	51
	32	36	79	253	79	36
	32	21	46	168	46	21

65°

		Width 110 mm				
		25	20	20	20	25
Height 160 mm	32	33	73	259	73	33
	32	56	124	335	124	56
	32	80	176	402	176	80
	32	55	122	358	122	55
	32	31	68	236	68	31

65°

		Width 110 mm				
		25	20	20	20	25
Height 160 mm	32	22	49	169	49	22
	32	38	83	175	83	38
	32	53	117	270	117	53
	32	37	81	270	81	37
	32	21	45	170	45	21

70°

		Width 110 mm				
		25	20	20	20	25
Height 160 mm	32	33	73	261	73	33
	32	56	124	333	124	56
	32	78	174	405	174	78
	32	54	119	359	119	54
	32	29	64	227	64	29

70°

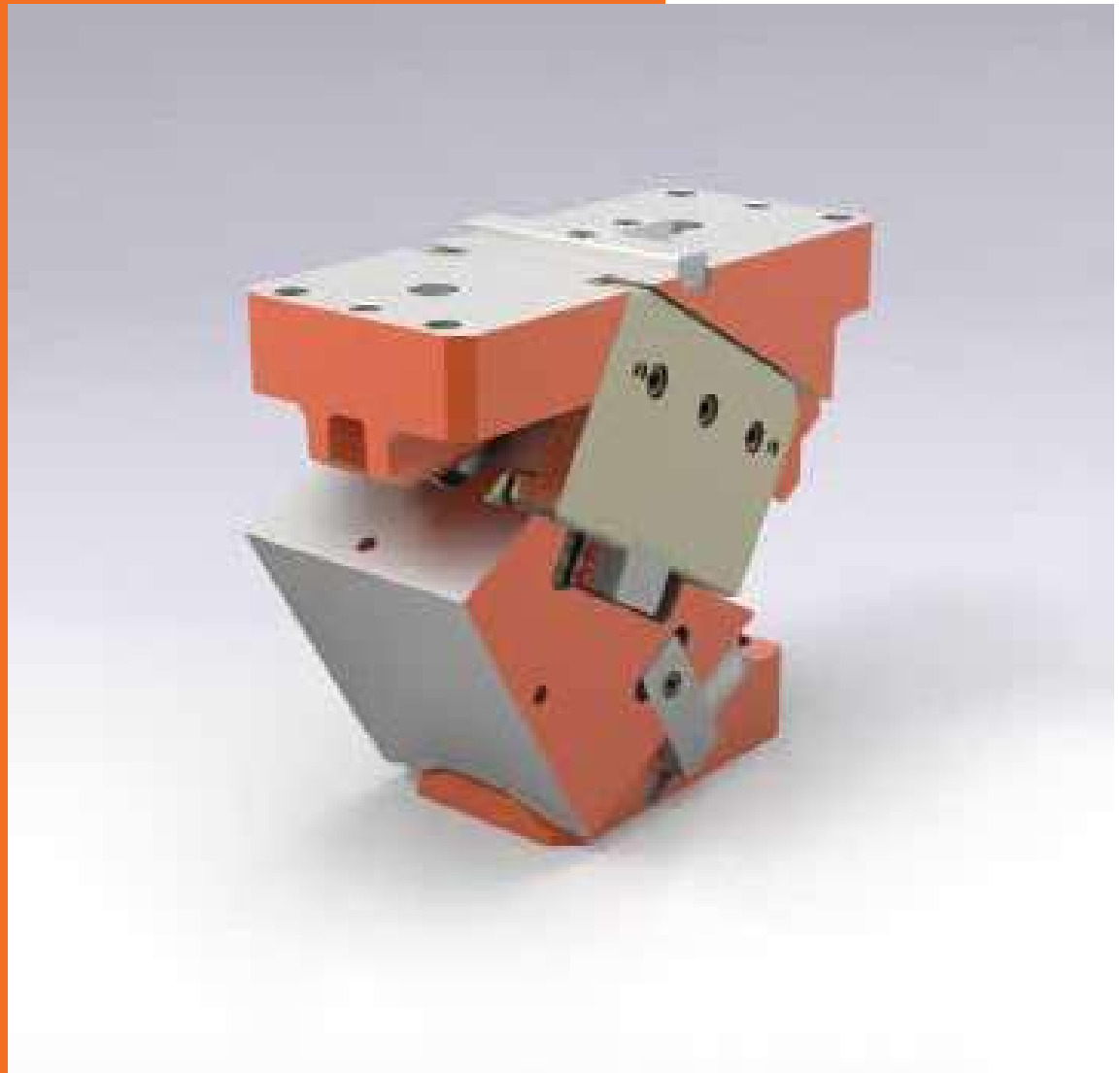
		Width 110 mm				
		25	20	20	20	25
Height 160 mm	32	22	49	170	49	22
	32	37	83	176	83	37
	32	52	90	273	90	52
	32	36	79	263	79	36
	32	19	42	173	42	19

75°

		Width 110 mm				
		25	20	20	20	25
Height 160 mm	32	55	123	331	123	55
	32	77	173	407	173	77
	32	52	116	360	116	52
	32	26	59	218	59	26
	32	41	87	274	87	41

75°

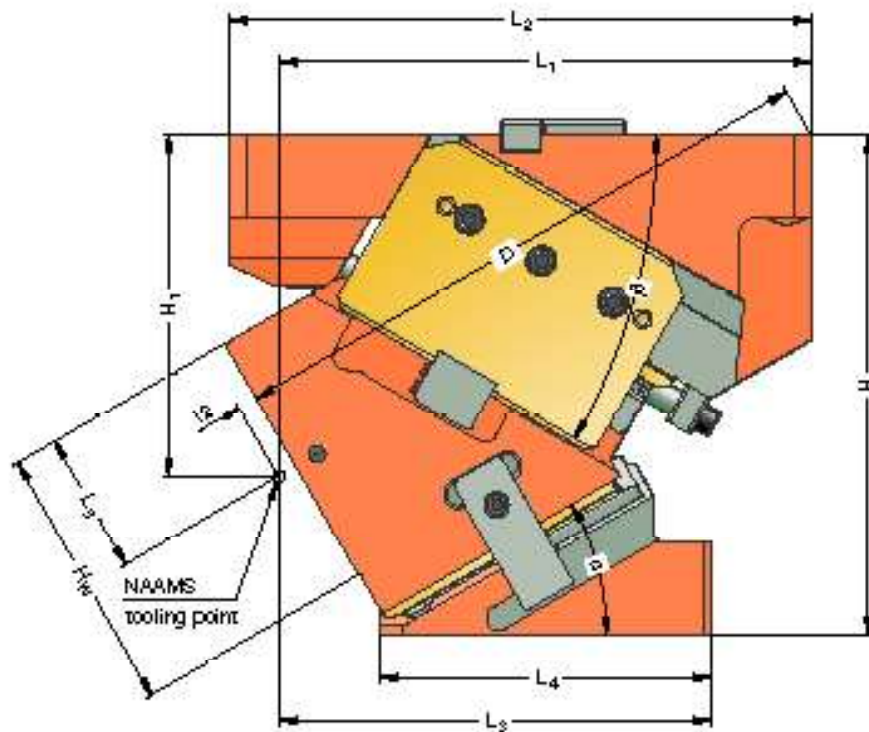
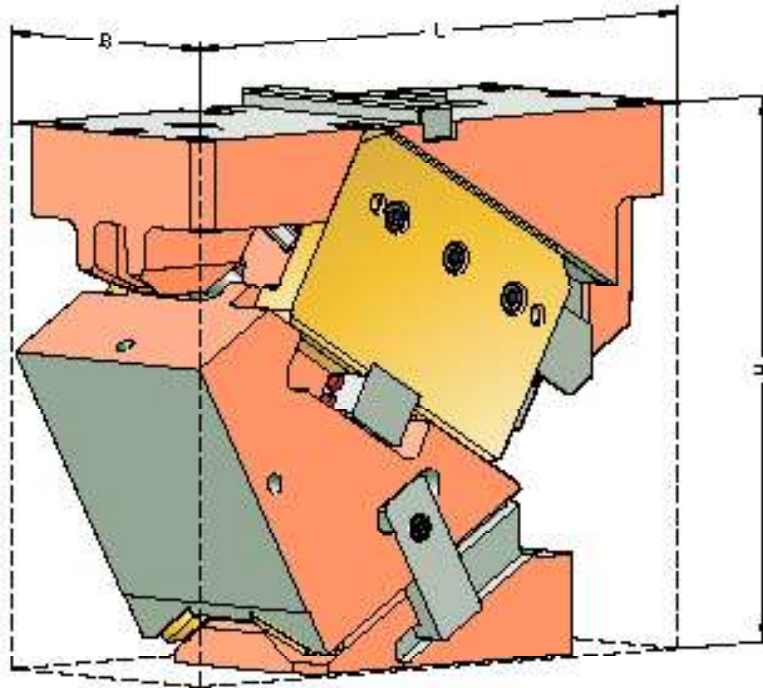
		Width 110 mm				
		25	20	20	20	25
Height 160 mm	32	22	49	255	49	22
	32	37	82	331	82	37
	32	51	90	370	90	51
	32	34	77	360	77	34
	32	17	39	218	39	17



AERIAL FCC 2016.24.015.

Working width: 150 mm
Performance class: 425 kN

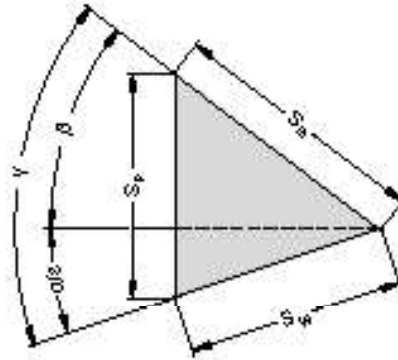
AERIAL FCC
2016.24.015.
 SIZE TABLE



AERIAL FCC

2016.24.015.

SIZE TABLE



Order number	L [mm]	B [mm]	H [mm]	H ₁ [mm]	H _W [mm]	L ₁ [mm]	L ₂ [mm]	L ₃ [mm]	L ₄ [mm]	L ₅ [mm]	D [mm]	α [°]	β [°]	S _W * [mm]	S _S [mm]	S _P * [mm]
2016.24.015.00.1000.00	310	150	300	170	160	310	310	240	220	105	298.0	0	50	32.1	50	38.3
2016.24.015.05.1000.00	310	150	300	175	160	310	310	240	210	105	312.1	5	45	35.5	50	38.4
2016.24.015.10.1000.00	314	150	300	180	160	310	310	240	200	90	324.5	10	45	35.9	50	41.6
2016.24.015.15.1000.00	322	150	300	185	160	310	310	240	195	90	335.3	15	40	39.7	50	42.4
2016.24.015.20.1000.00	330	150	300	190	160	310	310	240	194	90	344.3	20	35	43.6	50	43.6
2016.24.015.25.1000.00	350	150	300	195	160	320	350	260	202	80	360.4	25	35	45.2	50	47.8
2016.24.015.30.1000.00	352	150	300	205	160	320	350	260	199	85	367.6	30	30	50.0	50	50.0
2016.24.015.35.1000.00	365	150	300	215	160	320	350	260	201	95	373.4	35	30	52.9	50	55.3
2016.24.015.40.1000.00	372	150	300	225	160	320	350	260	197	95	377.8	40	25	59.2	50	59.2
2016.24.015.45.1000.00	340	150	300	235	160	260	340	240	182	105	338.0	45	25	64.1	50	66.4
2016.24.015.50.1000.00	340	150	300	245	160	260	340	240	179	105	342.8	50	20	73.1	50	73.1
2016.24.015.55.1000.00	347	150	300	255	160	260	340	240	186	115	346.0	55	20	81.9	50	84.2
2016.24.015.60.1000.00	354	150	300	265	160	260	340	240	183	115	347.5	60	15	96.6	50	96.6
2016.24.015.65.1000.00	359	150	300	265	160	260	340	240	183	115	338.1	65	15	91.4	40	93.2
2016.24.015.70.1000.00	340	150	300	275	160	235	340	235	168	110	326.8	70	15	84.7	30	87.4
2016.24.015.75.1000.00	340	150	300	275	160	235	340	235	167	110	314.5	75	10	76.1	20	77.0

* Values rounded

Fastening cam base:

Hexagon socket head cap screws DIN EN ISO 4762
Dowel pins DIN EN ISO 8735

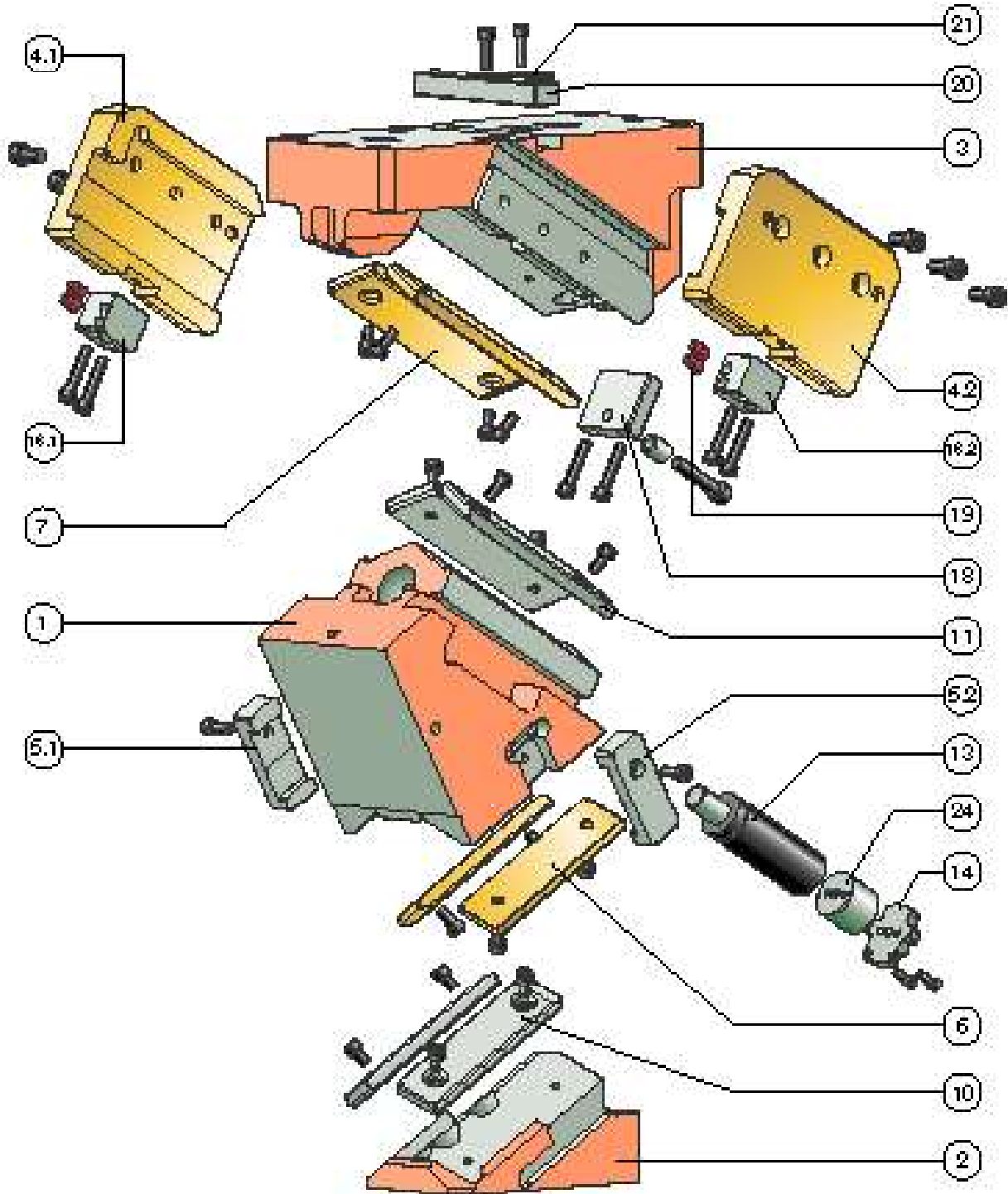
4x M16 / Strength class min. 8.8
2x Ø16

Fastening cam driver :

Hexagon socket head cap screws DIN EN ISO 4762
Dowel pins DIN EN ISO 8735

4x M16 / Strength class min. 8.8
2x Ø16

AERIAL FCC
2016.24.015.
EXPLODED VIEW



AERIAL FCC

2016.24.015.

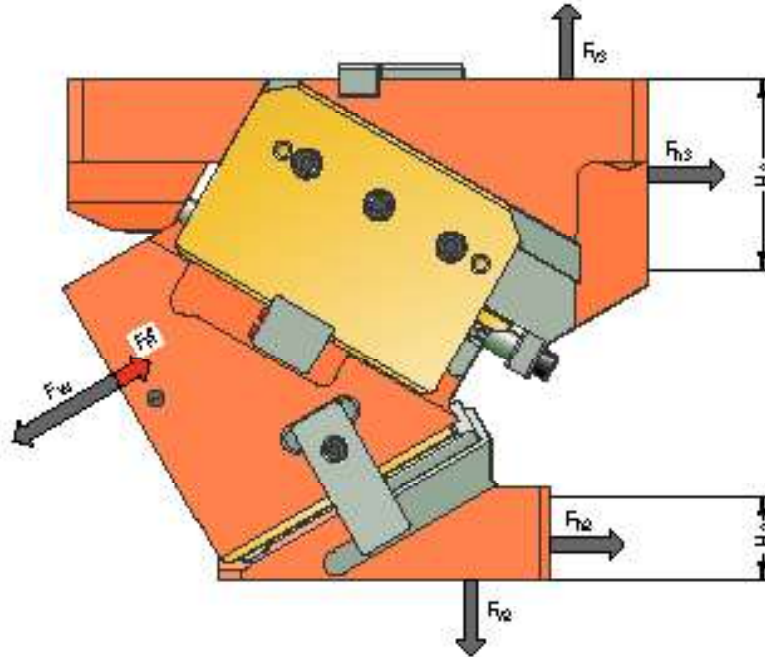
PARTS LIST

Position	Piece	Designation	Material	spare part
1	1	Slider	GGG60	--
2	1	Cam driver	GGG60	--
2.1				
2.2				
3	1	Cam base	GGG60	--
4.1	1	Clamp, left	Bronze with solid lubricant	x
4.2	1	Clamp, right	Bronze with solid lubricant	x
5.1	1	Positive return, left	1.7225	x
5.2	1	Positive return, right	1.7225	x
6	2	Sliding plate	Bronze with solid lubricant	x
7	2	Sliding plate	Bronze with solid lubricant	x
8				
9				
10	2	Sliding plate	1.7131	x
11	2	Sliding plate	1.7131	x
12				
13	1	Gas spring	2487.12.00500.□□□	x
14	1	Stop plate	1.7225	x
15				
16.1	1	Cam slide stop, left	1.1191	x
16.2	1	Cam slide stop, right	1.1191	x
17				
18	1	Lockout system		x
19	4	Damping element	Elastomer	x
20	1	Feather key (T-nut)		x
21	1	Feather key (T-nut)		x
22				
23				
24	1	Spacer	1.1191	x

For inquiries or when ordering spare parts (x), we require the following data:

- ▶ Cam unit order no.
- ▶ Cam unit serial no.
- ▶ Item number / Designation / Spare part

AERIAL FCC 2016.24.015. SYSTEM AND SURROUNDING FORCES



Order number	α [°]	F_W [kN]	F_R^* [kN]	F_{h2} [kN]	F_{v2} [kN]	F_{h3} [kN]	F_{v3} [kN]	H_2 [mm]	H_3 [mm]
2016.24.015.00.1000.00	0	421	7.6	0	353	421	353	27	160
2016.24.015.05.1000.00	5	435	7.7	32	364	402	402	40	150
2016.24.015.10.1000.00	10	448	8.4	54	309	387	387	35	150
2016.24.015.15.1000.00	15	462	8.4	84	312	363	432	40	140
2016.24.015.20.1000.00	20	476	8.4	114	313	333	476	40	130
2016.24.015.25.1000.00	25	489	9.5	119	256	324	463	40	130
2016.24.015.30.1000.00	30	503	9.5	145	252	290	503	40	120
2016.24.015.35.1000.00	35	517	10.9	138	197	285	494	40	120
2016.24.015.40.1000.00	40	528	10.9	158	189	246	528	40	100
2016.24.015.45.1000.00	45	540	13.0	139	139	243	521	50	100
2016.24.015.50.1000.00	50	551	13.0	154	129	201	551	50	97
2016.24.015.55.1000.00	55	558	16.2	122	86	198	543	60	82
2016.24.015.60.1000.00	60	565	16.2	131	76	151	565	60	85
2016.24.015.65.1000.00	65	571	23.4	91	43	150	560	70	85
2016.24.015.70.1000.00	70	578	33.9	48	17	150	560	80	84
2016.24.015.75.1000.00	75	584	31.6	49	13	102	577	80	90

* Retraction force values correspond to the spring-generated retraction force at the working point

The forces F_{h2} , F_{v2} as well as F_{h3} , F_{v3} act on the tool environment at maximum working force F_W .

AERIAL FCC

2016.24.015.

FORCE DIAGRAM

shouldered

		Width 150 mm					
		35	30	20	30	35	
Height 160 mm	0°	32	53	112	226	112	53
	32	77	162	327	162	77	
	32	101	212	428	212	101	
	32	99	209	421	209	99	
	32	97	205	414	205	97	

Support with feather key

		Width 150 mm					
		35	30	20	30	35	
Height 160 mm	0°	32	32	67	103	67	32
	32	46	88	103	88	46	
	32	60	89	103	89	60	
	32	59	90	103	90	59	
	32	58	90	103	90	58	

		Width 150 mm					
		35	30	20	30	35	
Height 160 mm	5°	32	51	107	223	107	51
	32	75	157	327	157	75	
	32	98	207	432	207	98	
	32	99	208	435	208	99	
	32	95	200	417	200	95	

		Width 150 mm					
		35	30	20	30	35	
Height 160 mm	5°	32	31	64	105	64	31
	32	45	87	108	87	45	
	32	59	87	108	87	59	
	32	59	87	108	87	59	
	32	57	87	108	87	57	

		Width 150 mm					
		35	30	20	30	35	
Height 160 mm	10°	32	49	102	219	102	49
	32	72	152	327	152	72	
	32	96	202	436	202	96	
	32	98	207	448	207	98	
	32	93	196	420	196	93	

		Width 150 mm					
		35	30	20	30	35	
Height 160 mm	10°	32	29	61	105	61	29
	32	43	91	113	91	43	
	32	58	91	115	91	58	
	32	59	91	115	91	59	
	32	56	91	115	91	56	

		Width 150 mm					
		35	30	20	30	35	
Height 160 mm	15°	32	46	98	215	98	46
	32	70	147	327	147	70	
	32	94	197	439	197	94	
	32	98	206	462	206	98	
	32	91	191	423	191	91	

		Width 150 mm					
		35	30	20	30	35	
Height 160 mm	15°	32	46	82	120	82	46
	32	60	85	120	85	60	
	32	64	88	120	88	64	
	32	64	88	120	88	64	
	32	57	83	120	83	57	

		Width 150 mm					
		35	30	20	30	35	
Height 160 mm	20°	32	44	93	212	93	44
	32	68	143	328	143	68	
	32	92	192	443	192	92	
	32	97	205	476	205	97	
	32	88	186	427	186	88	

		Width 150 mm					
		35	30	20	30	35	
Height 160 mm	20°	32	27	56	128	56	27
	32	41	86	133	86	41	
	32	55	115	135	115	55	
	32	58	115	135	115	58	
	32	53	111	135	111	53	

		Width 150 mm					
		35	30	20	30	35	
Height 160 mm	25°	32	42	88	208	88	42
	32	66	138	328	138	66	
	32	89	187	447	187	89	
	32	97	204	489	204	97	
	32	86	181	430	181	86	

		Width 150 mm					
		35	30	20	30	35	
Height 160 mm	25°	32	25	53	146	53	25
	32	39	83	152	83	39	
	32	54	112	152	112	54	
	32	58	112	152	112	58	
	32	52	109	152	109	52	

AERIAL FCC

2016.24.015.

FORCE DIAGRAM

shouldered

		Width 150 mm				
		35	30	20	30	35
Height 160 mm	32	40	83	205	83	40
	32	63	133	328	133	63
	32	87	182	451	182	87
	32	97	203	503	203	97
	32	84	176	433	176	84

Support with feather key

		Width 150 mm				
		35	30	20	30	35
Height 160 mm	32	24	50	75	50	24
	32	38	80	163	80	38
	32	52	109	176	109	52
	32	58	122	176	122	58
	32	50	106	173	106	50

		Width 150 mm				
		35	30	20	30	35
Height 160 mm	32	38	79	201	79	38
	32	61	128	328	128	61
	32	85	177	455	177	85
	32	96	202	517	202	96
	32	82	171	439	171	82

		Width 150 mm				
		35	30	20	30	35
Height 160 mm	32	23	47	65	47	23
	32	37	77	171	77	37
	32	51	106	180	106	51
	32	58	121	180	121	58
	32	49	103	180	103	49

		Width 150 mm				
		35	30	20	30	35
Height 160 mm	32	38	81	198	81	38
	32	64	135	330	135	64
	32	89	190	461	190	89
	32	102	218	528	218	102
	32	85	181	441	181	85

		Width 150 mm				
		35	30	20	30	35
Height 160 mm	32	24	51	67	51	24
	32	40	85	177	85	40
	32	56	120	212	120	56
	32	56	137	214	137	56
	32	54	114	210	114	54

		Width 150 mm				
		35	30	20	30	35
Height 160 mm	32	38	83	195	83	38
	32	66	142	332	142	66
	32	94	202	468	202	94
	32	108	233	540	233	108
	32	88	191	444	191	88

		Width 150 mm				
		35	30	20	30	35
Height 160 mm	32	24	52	69	52	24
	32	42	90	185	90	42
	32	59	128	213	128	59
	32	59	147	215	147	59
	32	56	120	210	120	56

		Width 150 mm				
		35	30	20	30	35
Height 160 mm	32	39	85	191	85	39
	32	68	149	333	149	68
	32	98	214	475	214	98
	32	114	249	551	249	114
	32	92	200	447	200	92

		Width 150 mm				
		35	30	20	30	35
Height 160 mm	32	25	53	69	53	25
	32	43	94	187	94	43
	32	58	135	265	135	58
	32	58	157	263	157	58
	32	58	126	200	126	58

		Width 150 mm				
		35	30	20	30	35
Height 160 mm	32	39	87	188	87	39
	32	71	157	335	157	71
	32	102	227	482	227	102
	32	120	265	558	265	120
	32	95	210	449	210	95

		Width 150 mm				
		35	30	20	30	35
Height 160 mm	32	25	55	77	55	25
	32	45	99	198	99	45
	32	65	143	275	143	65
	32	65	167	260	167	65
	32	60	132	205	132	60

AERIAL FCC

2016.24.015.

FORCE DIAGRAM

shouldered

		Width 150 mm				
		35	30	20	30	35
Height 160 mm	32	40	89	185	89	40
	32	73	164	337	164	73
	32	107	239	489	239	107
	32	125	281	565	281	125
	32	98	219	452	219	98

Support with feather key

		Width 150 mm				
		35	30	20	30	35
Height 160 mm	32	25	56	78	56	25
	32	46	103	123	103	46
	32	67	151	369	151	67
	32	67	178	372	178	67
	32	62	139	269	139	62

65°

		Width 150 mm				
		35	30	20	30	35
Height 160 mm	32	40	91	182	91	40
	32	76	171	339	171	76
	32	111	251	496	251	111
	32	131	297	571	297	131
	32	101	229	448	229	101

65°

		Width 150 mm				
		35	30	20	30	35
Height 160 mm	32	27	60	79	60	27
	32	50	95	103	95	50
	32	74	167	358	167	74
	32	74	198	362	198	74
	32	68	153	286	153	68

70°

		Width 150 mm				
		35	30	20	30	35
Height 160 mm	32	41	93	178	93	41
	32	78	178	341	178	78
	32	115	263	499	263	115
	32	137	313	578	313	137
	32	105	239	438	239	105

70°

		Width 150 mm				
		35	30	20	30	35
Height 160 mm	32	27	62	77	62	27
	32	52	97	103	97	52
	32	77	176	375	176	77
	32	77	209	375	209	77
	32	70	159	290	159	70

75°

		Width 150 mm				
		35	30	20	30	35
Height 160 mm	32	41	95	175	95	41
	32	80	185	343	185	80
	32	120	276	501	276	120
	32	143	329	584	329	143
	32	108	248	427	248	108

75°

		Width 150 mm				
		35	30	20	30	35
Height 160 mm	32	27	63	75	63	27
	32	54	75	83	75	54
	32	80	184	367	184	80
	32	80	219	523	219	80
	32	72	166	325	166	72

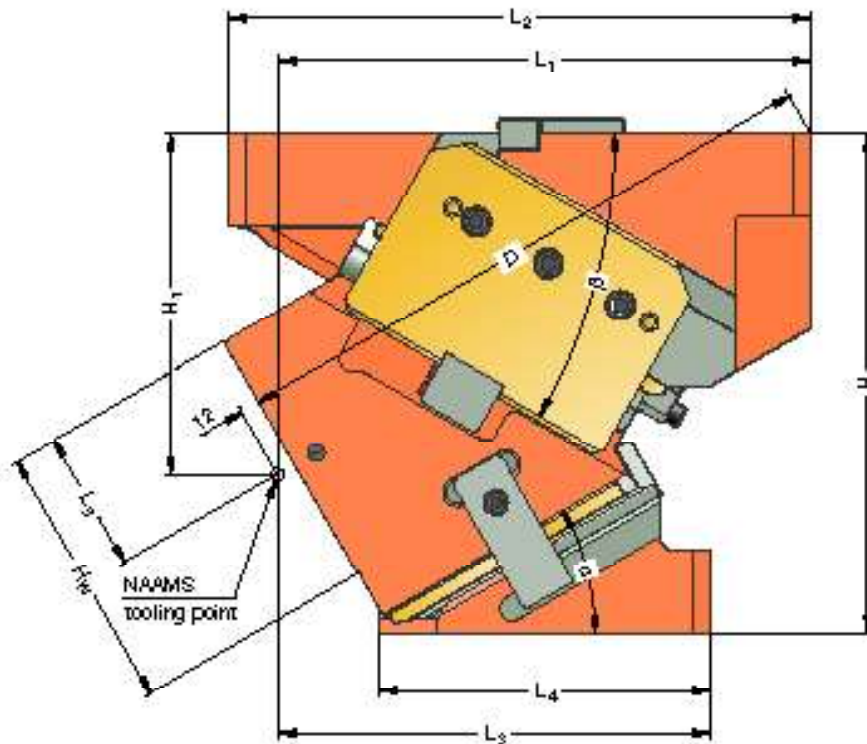
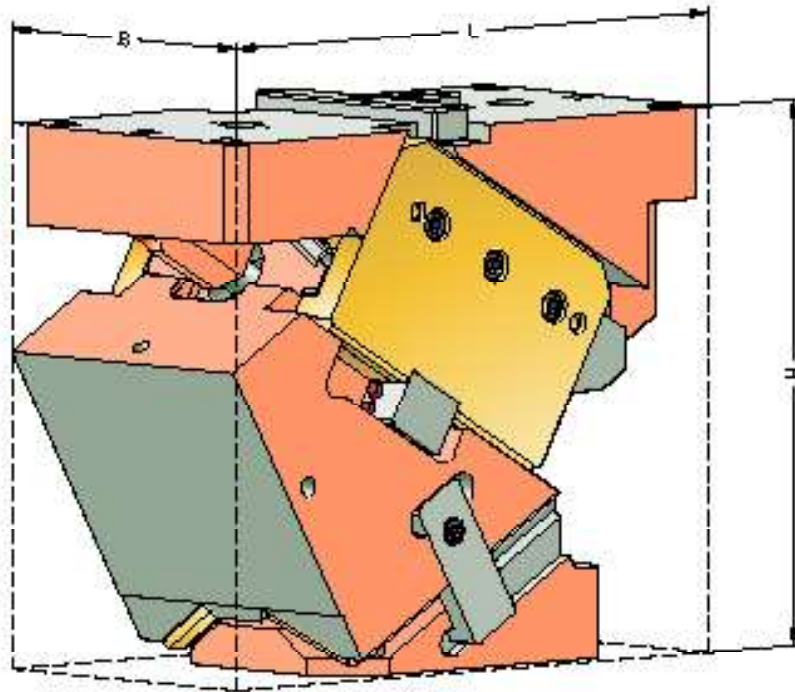




AERIAL FCC 2016.24.018.

Working width: 180 mm
Performance class: 500 kN

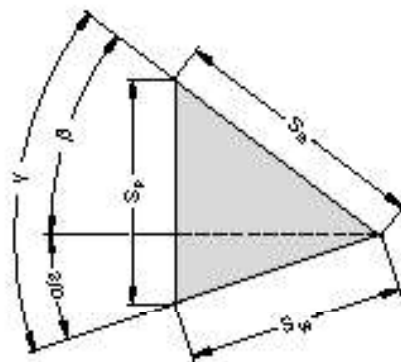
AERIAL FCC 2016.24.018. SIZE TABLE



AERIAL FCC

2016.24.018.

SIZE TABLE



Order number	L [mm]	B [mm]	H [mm]	H ₁ [mm]	H _w [mm]	L ₁ [mm]	L ₂ [mm]	L ₃ [mm]	L ₄ [mm]	L ₅ [mm]	D [mm]	α [°]	β [°]	S _w * [mm]	S _s [mm]	S _p * [mm]
2016.24.018.00.1000.00	310	180	300	170	160	310	310	240	220	105	298.0	0	50	32.1	50	38.3
2016.24.018.05.1000.00	310	180	300	175	160	310	310	240	210	105	312.0	5	45	35.5	50	38.4
2016.24.018.10.1000.00	314	180	300	180	160	310	310	240	200	90	324.5	10	45	35.9	50	41.6
2016.24.018.15.1000.00	322	180	300	185	160	310	310	240	195	90	335.3	15	40	39.7	50	42.4
2016.24.018.20.1000.00	330	180	300	190	160	310	310	240	191	90	344.3	20	35	43.6	50	43.6
2016.24.018.25.1000.00	350	180	300	195	160	320	350	260	199	80	360.4	25	35	45.2	50	47.8
2016.24.018.30.1000.00	352	180	300	205	160	320	350	260	199	85	367.6	30	30	50.0	50	50.0
2016.24.018.35.1000.00	365	180	300	215	160	320	350	260	201	95	373.5	35	30	52.9	50	55.3
2016.24.018.40.1000.00	372	180	300	225	160	320	350	260	197	95	377.8	40	25	59.2	50	59.2
2016.24.018.45.1000.00	340	180	300	235	160	260	340	240	182	105	338.0	45	25	64.1	50	66.4
2016.24.018.50.1000.00	340	180	300	245	160	260	340	240	179	105	342.8	50	20	73.1	50	73.1
2016.24.018.55.1000.00	347	180	300	255	160	260	340	240	186	115	346.0	55	20	81.9	50	84.2
2016.24.018.60.1000.00	354	180	300	265	160	260	340	240	182	115	347.5	60	15	96.6	50	96.6
2016.24.018.65.1000.00	359	180	300	265	160	260	340	240	181	115	338.1	65	15	91.4	40	93.2
2016.24.018.70.1000.00	340	180	300	275	160	235	340	235	168	110	326.8	70	15	84.7	30	87.4
2016.24.018.75.1000.00	340	180	300	275	160	235	340	235	172	110	314.5	75	10	76.1	20	77.0

* Values rounded

Fastening cam base:

Hexagon socket head cap screws DIN EN ISO 4762
Dowel pins DIN EN ISO 8735

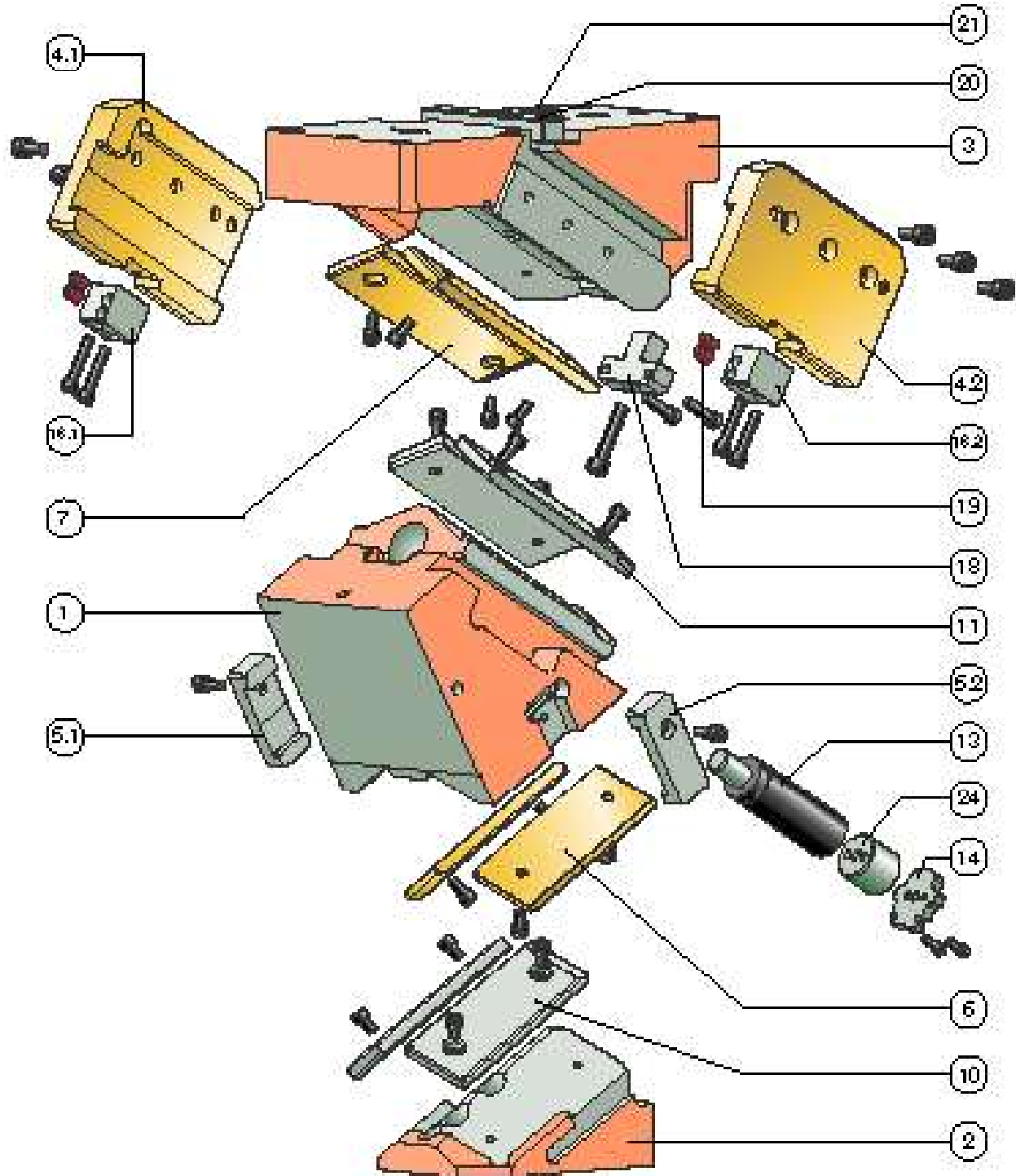
4x M16 / Strength class min. 8.8
2x Ø16

Fastening cam driver :

Hexagon socket head cap screws DIN EN ISO 4762
Dowel pins DIN EN ISO 8735

4x M16 / Strength class min. 8.8
2x Ø16

AERIAL FCC
2016.24.018.
EXPLODED VIEW



AERIAL FCC

2016.24.018.

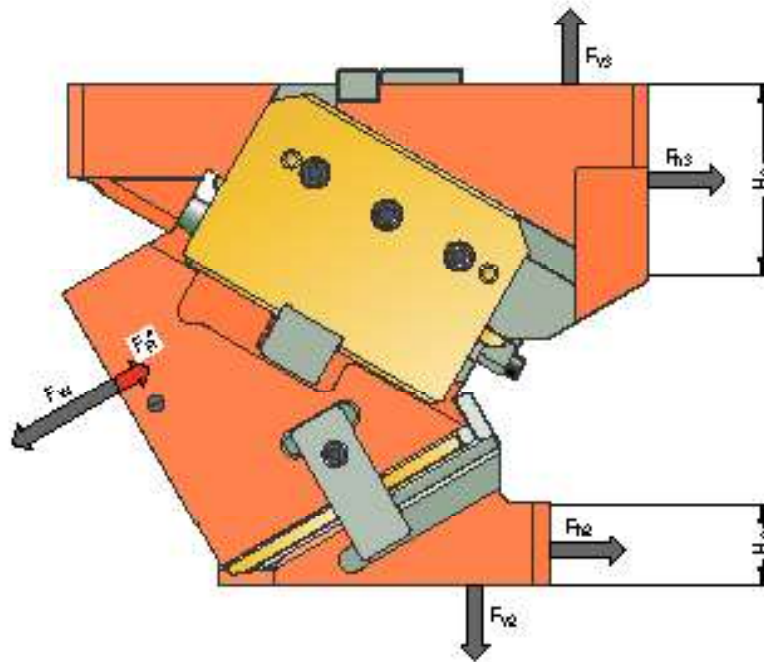
PARTS LIST

Position	Piece	Designation	Material	spare part
1	1	Slider	GGG60	--
2	1	Cam driver	GGG60	--
2.1				
2.2				
3	1	Cam base	GGG60	--
4.1	1	Clamp, left	Bronze with solid lubricant	x
4.2	1	Clamp, right	Bronze with solid lubricant	x
5.1	1	Positive return, left	1.7225	x
5.2	1	Positive return, right	1.7225	x
6	2	Sliding plate	Bronze with solid lubricant	x
7	2	Sliding plate	Bronze with solid lubricant	x
8				
9				
10	2	Sliding plate	1.7131	x
11	2	Sliding plate	1.7131	x
12				
13	1	Gas spring	2487.12.00500.□□□	x
14	1	Stop plate	1.7225	x
15				
16.1	1	Cam slide stop, left	1.1191	
16.2	1	Cam slide stop, right	1.1191	
17				
18	1	Lockout system		x
19	4	Damping element	Elastomer	x
20	1	Feather key (T-nut)		x
21	1	Feather key (T-nut)		x
22				
23				
24	1	Spacer	1.1191	x

For inquiries or when ordering spare parts (x), we require the following data:

- ▶ Cam unit order no.
- ▶ Cam unit serial no.
- ▶ Item number / Designation / Spare part

AERIAL FCC 2016.24.018. SYSTEM AND SURROUNDING FORCES



Order number	α [°]	F_W [kN]	F_R^* [kN]	F_{h2} [kN]	F_{v2} [kN]	F_{h3} [kN]	F_{v3} [kN]	H_2 [mm]	H_3 [mm]
2016.24.018.00.1000.00	0	474	7.7	0	398	474	398	27	160
2016.24.018.05.1000.00	5	488	7.7	36	408	450	450	40	150
2016.24.018.10.1000.00	10	503	8.5	61	347	434	434	27	150
2016.24.018.15.1000.00	15	518	8.5	94	350	406	484	27	140
2016.24.018.20.1000.00	20	533	8.5	128	351	373	533	27	130
2016.24.018.25.1000.00	25	542	9.5	132	284	359	513	40	130
2016.24.018.30.1000.00	30	543	9.5	157	272	314	543	40	117
2016.24.018.35.1000.00	35	543	11.0	145	207	300	519	40	117
2016.24.018.40.1000.00	40	550	11.0	165	196	256	550	40	100
2016.24.018.45.1000.00	45	557	13.0	143	143	251	537	50	100
2016.24.018.50.1000.00	50	564	13.0	157	132	205	564	50	81
2016.24.018.55.1000.00	55	571	16.3	125	88	202	555	60	66
2016.24.018.60.1000.00	60	578	16.3	134	77	155	578	60	70
2016.24.018.65.1000.00	65	584	21.9	93	44	153	573	60	74
2016.24.018.70.1000.00	70	591	34.0	49	18	154	573	80	84
2016.24.018.75.1000.00	75	598	31.6	51	14	104	591	90	63

* Retraction force values correspond to the spring-generated retraction force at the working point

The forces F_{h2} , F_{v2} as well as F_{h3} , F_{v3} act on the tool environment at maximum working force F_W .

AERIAL FCC

2016.24.018.

FORCE DIAGRAM

shouldered

		Width 180 mm					
		40	40	20	40	40	
Height 160 mm	0°	32	83	172	244	172	83
	32	32	109	226	321	226	109
	32	32	135	280	397	280	135
	32	32	184	333	474	333	184
	32	32	99	117	167	117	99

Support with feather key

		Width 180 mm					
		40	40	20	40	40	
Height 160 mm	0°	32	50	84	117	84	50
	32	32	65	84	117	84	65
	32	32	65	85	117	85	65
	32	32	65	86	117	86	65
	32	32	59	82	117	82	59

		Width 180 mm					
		40	40	20	40	40	
Height 160 mm	5°	32	81	158	233	158	81
	32	32	106	207	305	207	106
	32	32	132	276	378	276	132
	32	32	191	356	488	356	191
	32	32	120	153	199	153	120

		Width 180 mm					
		40	40	20	40	40	
Height 160 mm	5°	32	49	93	115	93	49
	32	32	64	99	118	99	64
	32	32	72	99	122	99	72
	32	32	72	99	123	99	72
	32	32	72	96	122	96	72

		Width 180 mm					
		40	40	20	40	40	
Height 160 mm	10°	32	79	143	221	143	79
	32	32	104	187	290	187	104
	32	32	129	272	359	272	129
	32	32	198	338	503	338	198
	32	32	133	188	232	188	133

		Width 180 mm					
		40	40	20	40	40	
Height 160 mm	10°	32	47	100	130	100	47
	32	32	62	108	132	108	62
	32	32	77	112	135	112	77
	32	32	78	112	135	112	78
	32	32	76	110	134	110	76

		Width 180 mm					
		40	40	20	40	40	
Height 160 mm	15°	32	77	128	209	128	77
	32	32	101	168	274	168	101
	32	32	125	267	340	267	125
	32	32	205	317	518	317	205
	32	32	146	212	264	212	146

		Width 180 mm					
		40	40	20	40	40	
Height 160 mm	15°	32	46	90	125	90	46
	32	32	61	113	140	113	61
	32	32	75	118	145	118	75
	32	32	75	118	146	118	75
	32	32	75	116	143	116	75

		Width 180 mm					
		40	40	20	40	40	
Height 160 mm	20°	32	75	113	197	113	75
	32	32	99	149	259	149	99
	32	32	122	263	321	263	122
	32	32	211	296	533	296	211
	32	32	159	209	297	209	159

		Width 180 mm					
		40	40	20	40	40	
Height 160 mm	20°	32	45	79	118	79	45
	32	32	59	104	155	104	59
	32	32	73	125	164	125	73
	32	32	73	125	166	125	73
	32	32	73	125	163	125	73

		Width 180 mm					
		40	40	20	40	40	
Height 160 mm	25°	32	73	98	185	98	73
	32	32	96	129	243	129	96
	32	32	119	259	302	259	119
	32	32	218	275	542	279	218
	32	32	172	205	330	205	172

		Width 180 mm					
		40	40	20	40	40	
Height 160 mm	25°	32	44	69	111	69	44
	32	32	58	91	146	91	58
	32	32	71	188	175	188	71
	32	32	71	142	178	142	71
	32	32	70	143	176	143	70

AERIAL FCC

2016.24.018.

FORCE DIAGRAM

shouldered

		Width 180 mm					
		40	40	20	40	40	
Height 160 mm	30°	32	71	84	173	84	71
	32	32	93	110	228	110	93
	32	32	116	255	283	255	116
	32	32	225	253	543	253	225
	32	32	185	201	362	201	185
	32	32					

Support with feather key

		Width 180 mm					
		40	40	20	40	40	
Height 160 mm	30°	32	43	83	104	83	43
	32	32	57	110	169	110	57
	32	32	69	137	178	137	69
	32	32	75	149	193	149	75
	32	32	67	141	181	141	67
	32	32					

		Width 180 mm					
		40	40	20	40	40	
Height 160 mm	35°	32	69	69	161	69	69
	32	32	91	91	212	91	91
	32	32	113	251	264	251	113
	32	32	232	232	543	232	232
	32	32	198	198	427	198	198
	32	32					

		Width 180 mm					
		40	40	20	40	40	
Height 160 mm	35°	32	41	48	98	48	41
	32	32	54	64	127	64	54
	32	32	68	150	158	150	68
	32	32	68	152	216	152	68
	32	32	68	139	214	139	68
	32	32					

		Width 180 mm					
		40	40	20	40	40	
Height 160 mm	40°	32	64	70	164	70	64
	32	32	86	96	227	96	86
	32	32	108	244	289	244	108
	32	32	215	234	550	234	215
	32	32	181	194	433	194	181
	32	32					

		Width 180 mm					
		40	40	20	40	40	
Height 160 mm	40°	32	40	51	64	51	40
	32	32	54	71	141	71	54
	32	32	68	172	238	172	68
	32	32	68	172	241	172	68
	32	32	57	143	237	143	57
	32	32					

		Width 180 mm					
		40	40	20	40	40	
Height 160 mm	45°	32	59	71	167	71	59
	32	32	81	102	241	102	81
	32	32	103	236	315	236	103
	32	32	198	235	557	235	198
	32	32	165	190	438	190	165
	32	32					

		Width 180 mm					
		40	40	20	40	40	
Height 160 mm	45°	32	37	52	72	52	37
	32	32	51	75	152	75	51
	32	32	65	174	256	174	65
	32	32	65	173	260	173	65
	32	32	60	140	210	140	60
	32	32					

		Width 180 mm					
		40	40	20	40	40	
Height 160 mm	50°	32	54	71	170	71	54
	32	32	76	107	255	107	76
	32	32	99	229	341	229	99
	32	32	181	237	564	237	181
	32	32	148	187	443	187	148
	32	32					

		Width 180 mm					
		40	40	20	40	40	
Height 160 mm	50°	32	34	53	72	53	34
	32	32	48	79	153	79	48
	32	32	62	169	310	169	62
	32	32	62	175	313	175	62
	32	32	48	138	211	138	48
	32	32					

		Width 180 mm					
		40	40	20	40	40	
Height 160 mm	55°	32	49	72	173	72	49
	32	32	72	112	270	112	72
	32	32	94	222	367	222	94
	32	32	164	239	571	239	164
	32	32	132	183	436	183	132
	32	32					

		Width 180 mm					
		40	40	20	40	40	
Height 160 mm	55°	32	31	61	74	61	31
	32	32	49	96	160	96	49
	32	32	59	189	314	189	59
	32	32	59	203	315	203	59
	32	32	53	156	210	156	53
	32	32					

AERIAL FCC

2016.24.018.

FORCE DIAGRAM

shouldered

		Width 180 mm				
		40	40	20	40	40
Height 160 mm	32	44	73	176	73	44
	32	67	118	284	118	67
	32	89	215	393	215	89
	32	147	240	578	240	147
	32	115	179	430	179	115

Support with feather key

		Width 180 mm				
		40	40	20	40	40
Height 160 mm	32	28	62	111	62	28
	32	42	100	179	100	42
	32	56	182	248	182	56
	32	56	204	365	204	56
	32	56	152	271	152	56

65°

		Width 180 mm				
		40	40	20	40	40
Height 160 mm	32	39	74	179	74	39
	32	62	123	299	123	62
	32	84	207	418	207	84
	32	130	242	584	242	130
	32	99	176	423	176	99

65°

		Width 180 mm				
		40	40	20	40	40
Height 160 mm	32	26	69	119	69	26
	32	41	115	199	115	41
	32	56	193	279	193	56
	32	56	225	390	225	56
	32	56	163	282	163	56

70°

		Width 180 mm				
		40	40	20	40	40
Height 160 mm	32	34	75	182	75	34
	32	57	129	313	129	57
	32	80	200	444	200	80
	32	113	244	591	244	113
	32	82	172	417	172	82

70°

		Width 180 mm				
		40	40	20	40	40
Height 160 mm	32	23	75	76	75	23
	32	38	129	209	129	38
	32	53	200	296	200	53
	32	55	244	394	244	55
	32	55	172	278	172	55

75°

		Width 180 mm				
		40	40	20	40	40
Height 160 mm	32	29	76	184	76	29
	32	52	134	327	134	52
	32	75	193	470	193	75
	32	96	245	598	245	96
	32	65	168	410	168	65

75°

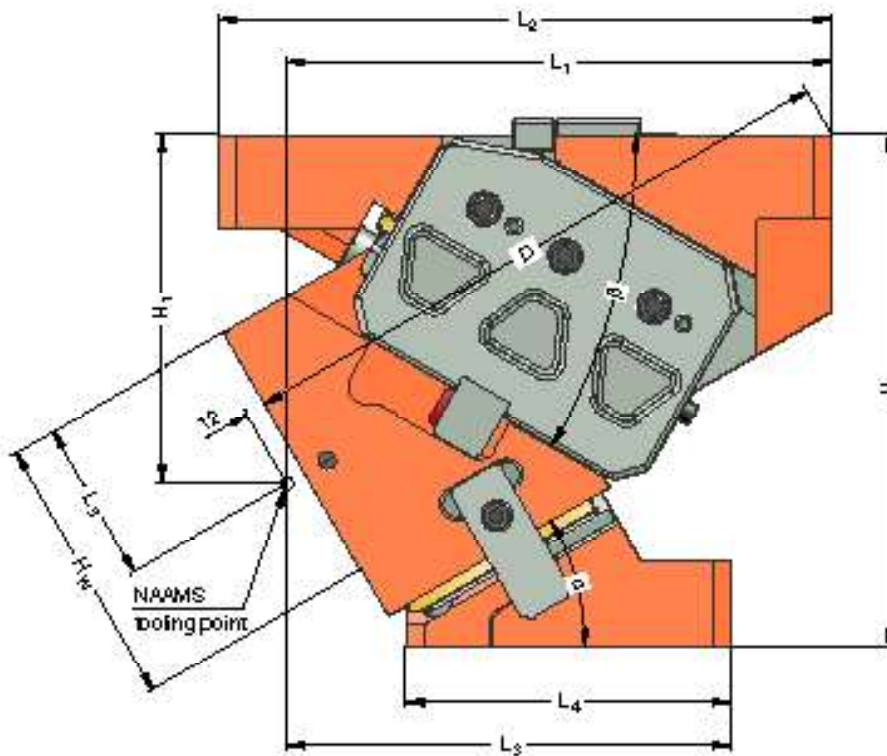
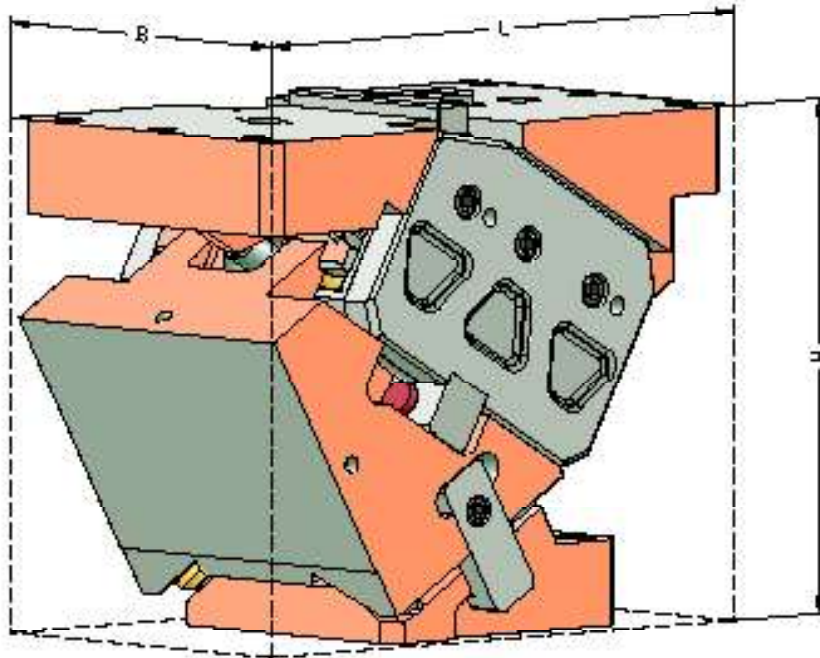
		Width 180 mm				
		40	40	20	40	40
Height 160 mm	32	20	76	76	76	20
	32	35	134	218	134	35
	32	50	193	313	193	50
	32	50	245	399	245	50
	32	44	168	273	168	44



AERIAL FCC 2016.24.022.

Working width: 220 mm
Performance class: 600 kN

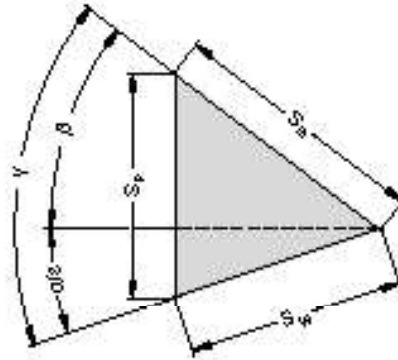
AERIAL FCC 2016.24.022. SIZE TABLE



AERIAL FCC

2016.24.022.

SIZE TABLE



Order number	L [mm]	B [mm]	H [mm]	H ₁ [mm]	H _w [mm]	L ₁ [mm]	L ₂ [mm]	L ₃ [mm]	L ₄ [mm]	L ₅ [mm]	D [mm]	α [°]	β [°]	S _w * [mm]	S _s [mm]	S _p * [mm]
2016.24.022.00.1000.00	320	220	300	170	160	320	320	240	215	110	308.0	0	50	32.1	50	38.3
2016.24.022.05.1000.00	320	220	300	175	160	320	320	240	210	110	322.0	5	45	35.5	50	38.4
2016.24.022.10.1000.00	324	220	300	180	160	320	320	240	200	90	334.4	10	45	35.9	50	41.6
2016.24.022.15.1000.00	332	220	300	185	160	320	320	240	190	90	345.0	15	40	39.7	50	42.4
2016.24.022.20.1000.00	338	220	300	190	160	320	320	240	185	85	353.7	20	35	43.6	50	43.6
2016.24.022.25.1000.00	360	220	300	195	160	320	360	260	195	85	360.4	25	35	45.2	50	47.8
2016.24.022.30.1000.00	360	220	300	205	160	320	360	260	190	95	375.7	30	30	50.0	50	50.0
2016.24.022.35.1000.00	363	220	300	215	160	320	360	260	185	92	373.4	35	30	52.9	50	55.3
2016.24.022.40.1000.00	373	220	300	225	160	320	360	260	180	97	377.8	40	25	59.2	50	59.2
2016.24.022.45.1000.00	365	220	300	235	160	285	365	240	160	102	355.7	45	25	64.1	50	66.4
2016.24.022.50.1000.00	365	220	300	245	160	285	365	240	160	102	358.9	50	20	73.1	50	73.1
2016.24.022.55.1000.00	365	220	300	255	160	285	365	240	161	102	360.4	55	20	81.9	50	84.2
2016.24.022.60.1000.00	372	220	300	265	160	285	365	240	159	107	360.0	60	15	96.6	50	96.6
2016.24.022.65.1000.00	368	220	300	265	160	285	365	240	161	97	348.6	65	15	91.4	40	93.2
2016.24.022.70.1000.00	372	220	300	265	160	285	365	240	163	97	334.5	70	10	100.8	35	100.8
2016.24.022.75.1000.00	365	220	300	280	160	275	365	240	145	83	329.6	75	10	95.1	25	96.2

* Values rounded

Fastening cam base:

Hexagon socket head cap screws DIN EN ISO 4762
Dowel pins DIN EN ISO 8735

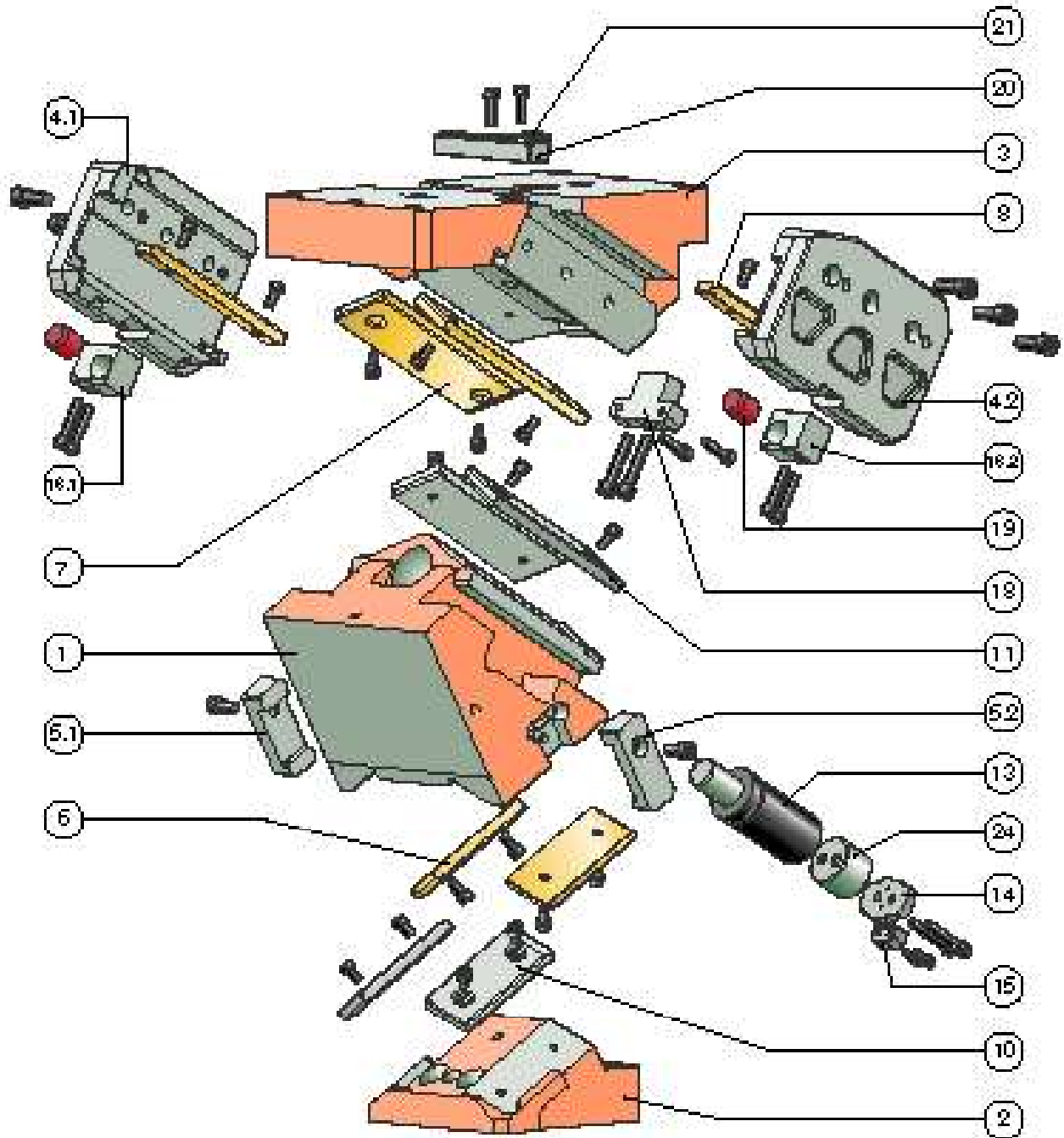
4x M16 / Strength class min. 8.8
2x Ø16

Fastening cam driver :

Hexagon socket head cap screws DIN EN ISO 4762
Dowel pins DIN EN ISO 8735

4x M16 / Strength class min. 8.8
2x Ø16

AERIAL FCC
2016.24.022.
EXPLODED VIEW



AERIAL FCC

2016.24.022.

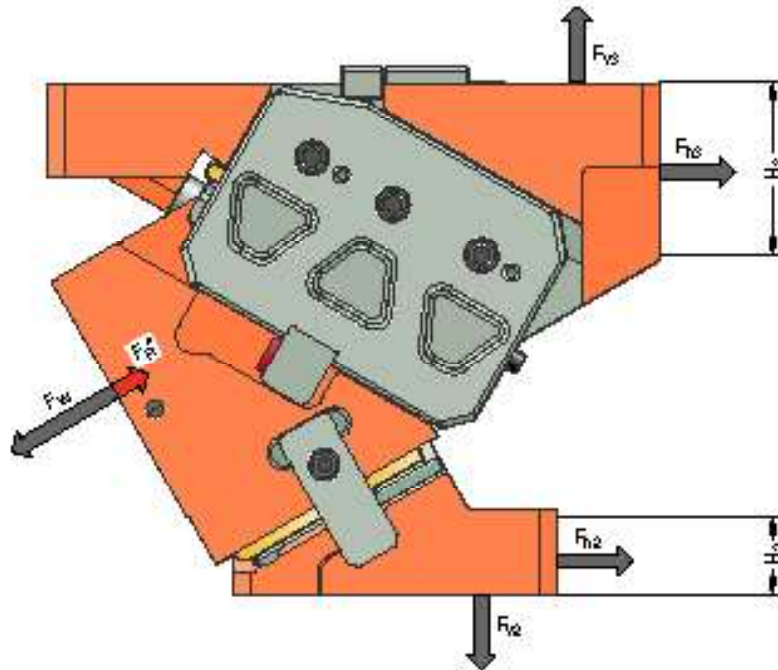
PARTS LIST

Position	Piece	Designation	Material	spare part
1	1	Slider	GGG60	--
2	1	Cam driver	GGG60	--
2.1				
2.2				
3	1	Cam base	GGG60	--
4.1	1	Clamp, left	1.7225	x
4.2	1	Clamp, right	1.7225	x
5.1	1	Positive return, left	1.7225	x
5.2	1	Positive return, right	1.7225	x
6	2	Sliding plate	Bronze with solid lubricant	x
7	2	Sliding plate	Bronze with solid lubricant	x
8	2	Sliding plate	Bronze with solid lubricant	x
9				
10	2	Sliding plate	1.7131	x
11	2	Sliding plate	1.7131	x
12				
13	1	Gas spring	2487.12.00750.□□□	x
14	1	Stop plate	1.7225	x
15	1	Safety plate	1.1191	x
16.1	1	Cam slide stop, left	1.1191	x
16.2	1	Cam slide stop, right	1.1191	x
17				
18	1	Lockout system		x
19	2	Damping element	Elastomer	x
20	1	Feather key (T-nut)		x
21	1	Feather key (T-nut)		x
22				
23				
24	1	Spacer	1.1191	x

For inquiries or when ordering spare parts (x), we require the following data:

- ▶ Cam unit order no.
- ▶ Cam unit serial no.
- ▶ Item number / Designation / Spare part

AERIAL FCC 2016.24.022. SYSTEM AND SURROUNDING FORCES



Order number	α [°]	F_W [kN]	F_R^* [kN]	F_{h2} [kN]	F_{v2} [kN]	F_{h3} [kN]	F_{v3} [kN]	H_2 [mm]	H_3 [mm]
2016.24.022.00.1000.00	0	635	12.4	0	533	635	533	40	160
2016.24.022.05.1000.00	5	648	12.5	47	542	598	598	40	150
2016.24.022.10.1000.00	10	661	13.7	80	456	571	571	40	150
2016.24.022.15.1000.00	15	674	13.7	122	456	529	630	40	140
2016.24.022.20.1000.00	20	687	13.8	165	452	481	687	20	130
2016.24.022.25.1000.00	25	700	15.5	171	366	464	662	40	130
2016.24.022.30.1000.00	30	714	15.5	206	357	412	714	40	104
2016.24.022.35.1000.00	35	727	17.8	194	278	401	695	40	107
2016.24.022.40.1000.00	40	727	17.9	218	260	339	727	40	93
2016.24.022.45.1000.00	45	728	21.3	187	187	327	702	50	100
2016.24.022.50.1000.00	50	729	21.3	203	171	265	729	40	61
2016.24.022.55.1000.00	55	729	26.7	160	112	258	709	60	53
2016.24.022.60.1000.00	60	730	26.7	169	98	196	730	60	67
2016.24.022.65.1000.00	65	730	34.1	117	54	192	716	60	72
2016.24.022.70.1000.00	70	731	33.1	121	44	129	731	80	58
2016.24.022.75.1000.00	75	732	50.2	62	17	128	724	90	56

* Retraction force values correspond to the spring-generated retraction force at the working point

The forces F_{h2} , F_{v2} as well as F_{h3} , F_{v3} act on the tool environment at maximum working force F_W .

AERIAL FCC

2016.24.022.

FORCE DIAGRAM

shouldered

		Width 220 mm				
		50	50	20	50	50
Height 160 mm	32	69	154	307	154	69
	32	86	192	384	192	86
	32	103	231	460	231	103
	32	143	318	635	318	143
	32	89	198	396	198	89

Support with feather key

		Width 220 mm				
		50	50	20	50	50
Height 160 mm	32	41	85	140	85	41
	32	52	106	140	106	52
	32	62	113	140	113	62
	32	67	113	140	113	67
	32	53	109	140	109	53

5°

		Width 220 mm				
		50	50	20	50	50
Height 160 mm	32	75	159	306	159	75
	32	95	201	390	201	95
	32	153	328	475	328	153
	32	107	218	648	218	107
	32	105	219	415	219	105

5°

		Width 220 mm				
		50	50	20	50	50
Height 160 mm	32	45	87	153	87	45
	32	57	111	155	111	57
	32	69	119	155	119	69
	32	64	119	155	119	64
	32	63	119	155	119	63

10°

		Width 220 mm				
		50	50	20	50	50
Height 160 mm	32	79	162	305	162	79
	32	102	207	397	207	102
	32	117	228	489	228	117
	32	123	239	661	239	123
	32	121	240	435	240	121

10°

		Width 220 mm				
		50	50	20	50	50
Height 160 mm	32	47	89	152	89	47
	32	61	114	156	114	61
	32	70	125	156	125	70
	32	74	131	156	131	74
	32	73	132	156	132	73

15°

		Width 220 mm				
		50	50	20	50	50
Height 160 mm	32	82	162	304	162	82
	32	109	212	404	212	109
	32	134	250	504	250	134
	32	139	260	674	260	139
	32	138	261	454	261	138

15°

		Width 220 mm				
		50	50	20	50	50
Height 160 mm	32	49	89	152	89	49
	32	65	116	174	116	65
	32	72	137	174	137	72
	32	72	137	174	137	72
	32	72	137	174	137	72

20°

		Width 220 mm				
		50	50	20	50	50
Height 160 mm	32	85	162	302	162	85
	32	116	217	410	217	116
	32	151	271	518	271	151
	32	156	281	687	281	156
	32	154	282	473	282	154

20°

		Width 220 mm				
		50	50	20	50	50
Height 160 mm	32	51	89	151	89	51
	32	69	119	196	119	69
	32	74	149	196	149	74
	32	74	154	196	154	74
	32	74	155	196	155	74

25°

		Width 220 mm				
		50	50	20	50	50
Height 160 mm	32	89	162	301	162	89
	32	123	222	417	222	123
	32	168	293	532	293	168
	32	172	301	700	301	172
	32	170	303	493	303	170

25°

		Width 220 mm				
		50	50	20	50	50
Height 160 mm	32	53	89	151	89	53
	32	74	122	208	122	74
	32	86	152	208	152	86
	32	86	152	208	152	86
	32	86	152	208	152	86

AERIAL FCC

2016.24.022.

FORCE DIAGRAM

shouldered

		Width 220 mm					
		50	50	20	50	50	
Height 160 mm	0°	32	69	154	307	154	69
	32	32	86	192	384	192	86
	32	32	103	231	460	231	103
	32	32	143	318	635	318	143
	32	32	89	198	396	198	89

Support with feather key

		Width 220 mm					
		50	50	20	50	50	
Height 160 mm	0°	32	41	85	140	85	41
	32	32	52	106	140	106	52
	32	32	62	113	140	113	62
	32	32	67	113	140	113	67
	32	32	53	109	140	109	53

		Width 220 mm					
		50	50	20	50	50	
Height 160 mm	5°	32	75	159	306	159	75
	32	32	95	201	390	201	95
	32	32	153	328	475	328	153
	32	32	107	218	648	218	107
	32	32	105	219	415	219	105

		Width 220 mm					
		50	50	20	50	50	
Height 160 mm	5°	32	45	87	153	87	45
	32	32	57	111	155	111	57
	32	32	69	119	155	119	69
	32	32	64	119	155	119	64
	32	32	63	119	155	119	63

		Width 220 mm					
		50	50	20	50	50	
Height 160 mm	10°	32	79	162	305	162	79
	32	32	102	207	397	207	102
	32	32	117	228	489	228	117
	32	32	123	239	661	239	123
	32	32	121	240	435	240	121

		Width 220 mm					
		50	50	20	50	50	
Height 160 mm	10°	32	47	89	152	89	47
	32	32	61	114	156	114	61
	32	32	70	125	156	125	70
	32	32	74	131	156	131	74
	32	32	73	132	156	132	73

		Width 220 mm					
		50	50	20	50	50	
Height 160 mm	15°	32	82	162	304	162	82
	32	32	109	212	404	212	109
	32	32	134	250	504	250	134
	32	32	139	260	674	260	139
	32	32	138	261	454	261	138

		Width 220 mm					
		50	50	20	50	50	
Height 160 mm	15°	32	49	89	152	89	49
	32	32	65	116	174	116	65
	32	32	72	137	174	137	72
	32	32	72	137	174	137	72
	32	32	72	137	174	137	72

		Width 220 mm					
		50	50	20	50	50	
Height 160 mm	20°	32	85	162	302	162	85
	32	32	116	217	410	217	116
	32	32	151	271	518	271	151
	32	32	156	281	687	281	156
	32	32	154	282	473	282	154

		Width 220 mm					
		50	50	20	50	50	
Height 160 mm	20°	32	51	89	151	89	51
	32	32	69	119	196	119	69
	32	32	74	149	196	149	74
	32	32	74	154	196	154	74
	32	32	74	155	196	155	74

		Width 220 mm					
		50	50	20	50	50	
Height 160 mm	25°	32	89	162	301	162	89
	32	32	123	222	417	222	123
	32	32	168	293	532	293	168
	32	32	172	301	700	301	172
	32	32	170	303	493	303	170

		Width 220 mm					
		50	50	20	50	50	
Height 160 mm	25°	32	53	89	151	89	53
	32	32	74	122	208	122	74
	32	32	86	152	208	152	86
	32	32	86	152	208	152	86
	32	32	86	152	208	152	86

AERIAL FCC

2016.24.022.

FORCE DIAGRAM

shouldered

		Width 220 mm				
		50	50	20	50	50
Height 160 mm	32	92	161	300	161	92
	32	130	227	423	227	130
	32	184	315	547	315	184
	32	188	322	714	322	188
	32	187	324	512	324	187

Support with feather key

		Width 220 mm				
		50	50	20	50	50
Height 160 mm	32	55	89	150	89	55
	32	78	125	212	125	78
	32	95	173	238	173	95
	32	95	177	238	177	95
	32	95	178	238	178	95

		Width 220 mm				
		50	50	20	50	50
Height 160 mm	32	95	161	299	161	95
	32	137	232	430	232	137
	32	178	303	561	303	178
	32	268	454	727	454	268
	32	203	345	551	345	203

		Width 220 mm				
		50	50	20	50	50
Height 160 mm	32	57	105	180	105	57
	32	82	151	258	151	82
	32	98	205	258	205	98
	32	98	205	258	205	98
	32	98	205	258	205	98

		Width 220 mm				
		50	50	20	50	50
Height 160 mm	32	96	164	297	164	96
	32	138	236	427	236	138
	32	266	453	557	453	266
	32	204	347	727	347	204
	32	199	339	540	339	199

		Width 220 mm				
		50	50	20	50	50
Height 160 mm	32	61	107	178	107	61
	32	87	153	256	153	87
	32	102	205	302	205	102
	32	102	205	302	205	102
	32	102	205	302	205	102

		Width 220 mm				
		50	50	20	50	50
Height 160 mm	32	97	166	294	166	97
	32	140	239	424	239	140
	32	202	346	553	346	202
	32	200	341	728	341	200
	32	195	333	528	333	195

		Width 220 mm				
		50	50	20	50	50
Height 160 mm	32	61	100	191	100	61
	32	88	144	275	144	88
	32	112	208	303	208	112
	32	115	205	308	205	115
	32	115	200	308	200	115

		Width 220 mm				
		50	50	20	50	50
Height 160 mm	32	99	169	292	169	99
	32	142	243	420	243	142
	32	198	340	548	340	198
	32	195	335	729	335	195
	32	191	327	516	327	191

		Width 220 mm				
		50	50	20	50	50
Height 160 mm	32	62	101	190	101	62
	32	90	146	273	146	90
	32	125	204	356	204	125
	32	123	201	360	201	123
	32	121	196	335	196	121

		Width 220 mm				
		50	50	20	50	50
Height 160 mm	32	100	171	290	171	100
	32	144	247	417	247	144
	32	194	334	544	334	194
	32	191	329	729	329	191
	32	187	321	504	321	187

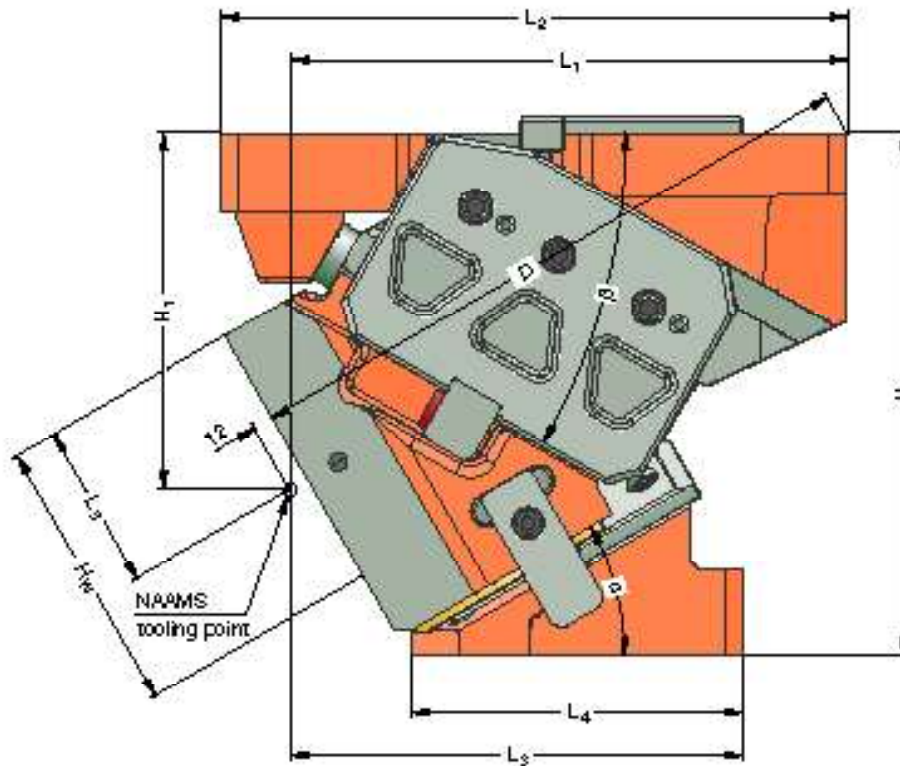
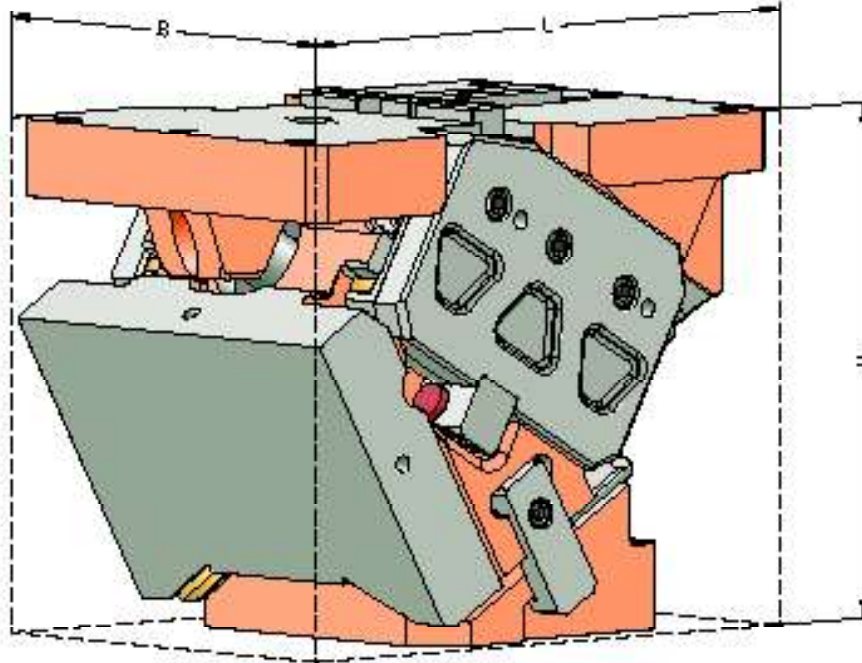
		Width 220 mm				
		50	50	20	50	50
Height 160 mm	32	63	103	180	103	63
	32	91	148	334	148	91
	32	123	200	390	200	123
	32	121	197	390	197	121
	32	118	192	390	192	118



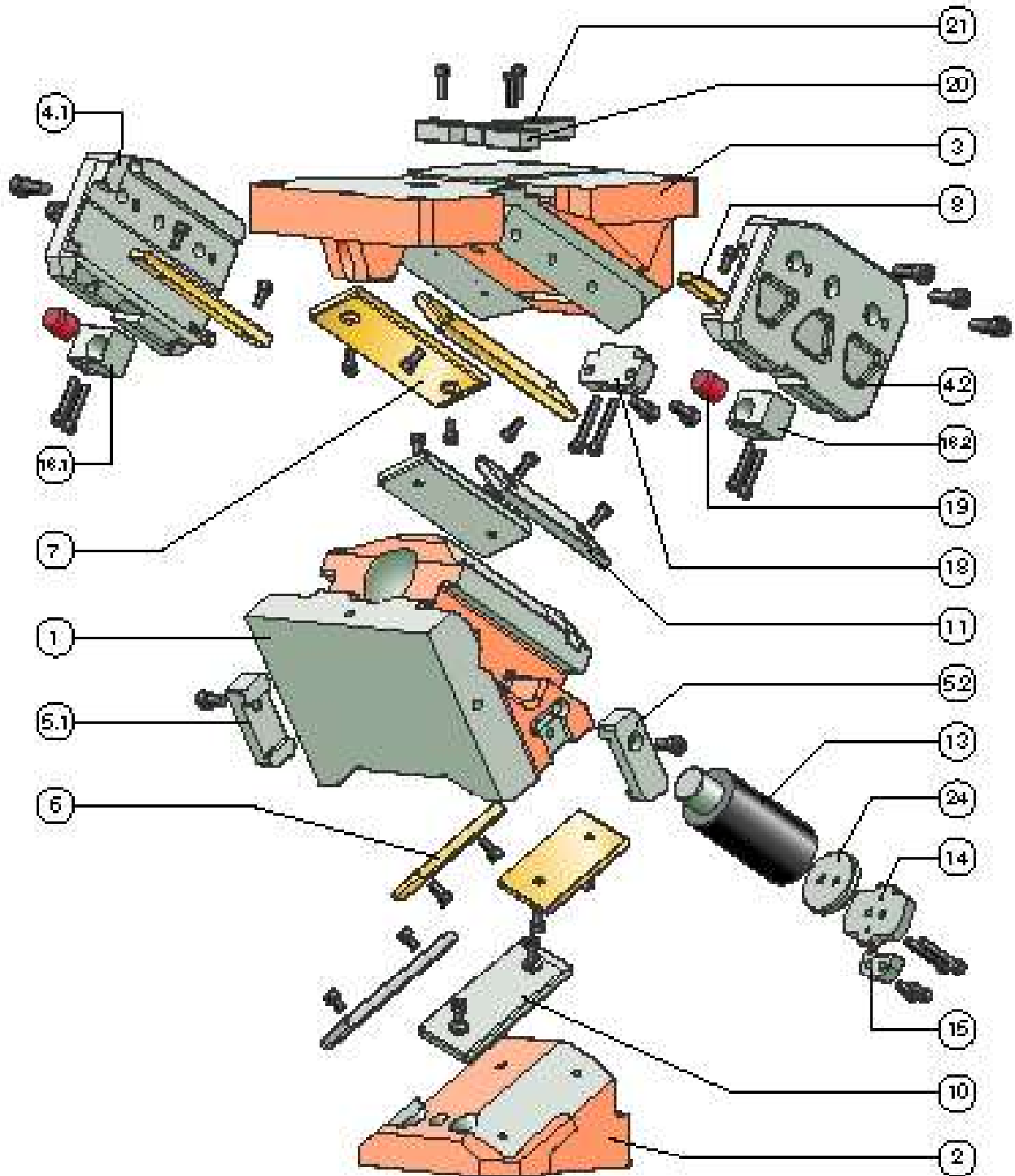
AERIAL FCC 2016.24.026.

Working width: 260 mm
Performance class: 650 kN

AERIAL FCC
2016.24.026.
 SIZE TABLE



AERIAL FCC
2016.24.026.
EXPLODED VIEW



AERIAL FCC

2016.24.026.

PARTS LIST

Position	Piece	Designation	Material	spare part
1	1	Slider	GGG60	--
2	1	Cam driver	GGG60	--
2.1				
2.2				
3	1	Cam base	GGG60	--
4.1	1	Clamp, left	1.7225	x
4.2	1	Clamp, right	1.7225	x
5.1	1	Positive return, left	1.7225	x
5.2	1	Positive return, right	1.7225	x
6	2	Sliding plate	Bronze with solid lubricant	x
7	2	Sliding plate	Bronze with solid lubricant	x
8	2	Sliding plate	Bronze with solid lubricant	x
9				
10	2	Sliding plate	1.7131	x
11	2	Sliding plate	1.7131	x
12				
13	1	Gas spring	2487.12.01500.□□□	x
14	1	Stop plate	1.7225	x
15	1	Safety plate	1.1191	x
16.1	1	Cam slide stop, left	1.1191	x
16.2	1	Cam slide stop, right	1.1191	x
17				
18	1	Lockout system		x
19	2	Damping element	Elastomer	x
20	2	Feather key (T-nut)		x
21	1	Feather key (T-nut)		x
22				
23				
24	1	Spacer	1.1191	x

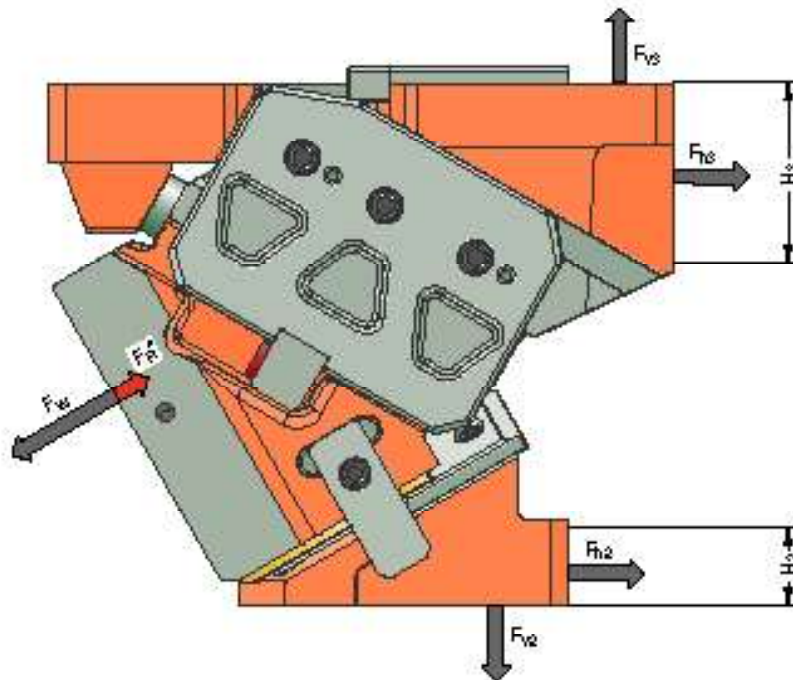
For inquiries or when ordering spare parts (x), we require the following data:

- ▶ Cam unit order no.
- ▶ Cam unit serial no.
- ▶ Item number / Designation / Spare part

AERIAL FCC

2016.24.026.

SYSTEM AND SURROUNDING FORCES



Order number	α [°]	F_W [kN]	F_R^* [kN]	F_{h2} [kN]	F_{v2} [kN]	F_{h3} [kN]	F_{v3} [kN]	H_2 [mm]	H_3 [mm]
2016.24.026.00.1000.00	0	536	24.9	0	450	536	450	25	160
2016.24.026.05.1000.00	5	564	25.1	41	471	521	521	32	138
2016.24.026.10.1000.00	10	593	27.6	72	409	512	512	35	138
2016.24.026.15.1000.00	15	621	27.8	113	420	487	581	40	112
2016.24.026.20.1000.00	20	650	27.9	156	428	455	650	40	89
2016.24.026.25.1000.00	25	673	31.3	164	352	446	637	40	123
2016.24.026.30.1000.00	30	690	31.4	199	345	398	690	40	108
2016.24.026.35.1000.00	35	708	36.2	189	270	391	677	38	114
2016.24.026.40.1000.00	40	737	36.4	221	263	344	737	40	92
2016.24.026.45.1000.00	45	744	43.4	191	191	335	718	50	82
2016.24.026.50.1000.00	50	747	43.5	208	175	272	747	50	65
2016.24.026.55.1000.00	55	751	54.5	165	115	266	731	60	65
2016.24.026.60.1000.00	60	755	54.6	175	101	202	755	60	61
2016.24.026.65.1000.00	65	759	60.0	121	57	199	744	70	57
2016.24.026.70.1000.00	70	763	60.0	126	46	135	763	70	46
2016.24.026.75.1000.00	75	767	60.0	65	17	134	758	70	46

* Retraction force values correspond to the spring-generated retraction force at the working point

The forces F_{h2} , F_{v2} as well as F_{h3} , F_{v3} act on the tool environment at maximum working force F_W .

AERIAL FCC

2016.24.026.

FORCE DIAGRAM

shouldered

		Width 260 mm							
		40	40	40	20	40	40	40	
Height 160 mm	0°	32	47	86	120	223	120	86	47
	32	61	111	159	295	159	111	61	
	32	75	136	197	367	197	136	75	
	32	104	188	272	536	272	188	104	
	32	91	165	207	385	207	165	91	

Support with feather key

		Width 260 mm							
		40	40	40	20	40	40	40	
Height 160 mm	0°	32	45	69	108	156	108	69	45
	32	58	89	132	163	132	89	58	
	32	72	109	132	163	132	109	72	
	32	72	109	132	163	132	109	72	
	32	72	109	132	163	132	109	72	

5°

		Width 260 mm							
		40	40	40	20	40	40	40	
Height 160 mm	5°	32	48	84	120	234	120	84	48
	32	64	111	158	311	158	111	64	
	32	79	137	195	388	195	137	79	
	32	111	192	273	564	273	192	111	
	32	98	170	241	410	241	170	98	

5°

		Width 260 mm							
		40	40	40	20	40	40	40	
Height 160 mm	5°	32	46	68	108	164	108	68	46
	32	60	89	142	178	142	89	60	
	32	75	110	145	178	145	110	75	
	32	75	110	145	178	145	110	75	
	32	75	110	145	178	145	110	75	

10°

		Width 260 mm							
		40	40	40	20	40	40	40	
Height 160 mm	10°	32	49	83	117	246	117	83	49
	32	66	110	155	328	155	110	66	
	32	82	138	193	410	193	138	82	
	32	117	195	273	593	273	195	117	
	32	105	174	244	435	244	174	105	

10°

		Width 260 mm							
		40	40	40	20	40	40	40	
Height 160 mm	10°	32	47	66	105	172	105	66	47
	32	63	88	140	189	140	88	63	
	32	78	110	148	189	148	110	78	
	32	78	110	148	189	148	110	78	
	32	78	110	148	189	148	110	78	

15°

		Width 260 mm							
		40	40	40	20	40	40	40	
Height 160 mm	15°	32	50	82	113	257	113	82	50
	32	68	110	152	344	152	110	68	
	32	86	139	191	432	191	139	86	
	32	124	199	274	621	274	199	124	
	32	112	179	246	460	246	179	112	

15°

		Width 260 mm							
		40	40	40	20	40	40	40	
Height 160 mm	15°	32	48	65	102	180	102	65	48
	32	65	88	137	221	137	88	65	
	32	82	111	172	221	172	111	82	
	32	82	111	172	221	172	111	82	
	32	82	111	172	221	172	111	82	

20°

		Width 260 mm							
		40	40	40	20	40	40	40	
Height 160 mm	20°	32	51	80	110	260	110	80	51
	32	70	110	150	355	150	110	70	
	32	90	139	189	451	189	139	90	
	32	130	202	274	650	274	202	130	
	32	119	183	248	485	248	183	119	

20°

		Width 260 mm							
		40	40	40	20	40	40	40	
Height 160 mm	20°	32	50	66	101	185	101	66	50
	32	68	90	137	254	137	90	68	
	32	87	114	174	254	174	114	87	
	32	87	121	174	254	174	121	87	
	32	87	121	174	254	174	121	87	

25°

		Width 260 mm							
		40	40	40	20	40	40	40	
Height 160 mm	25°	32	52	79	106	258	106	79	52
	32	73	110	147	358	147	110	73	
	32	93	140	187	458	187	140	93	
	32	137	206	274	673	274	206	137	
	32	125	188	250	510	250	188	125	

25°

		Width 260 mm							
		40	40	40	20	40	40	40	
Height 160 mm	25°	32	51	65	98	184	98	65	51
	32	70	90	135	256	135	90	70	
	32	90	114	172	256	172	114	90	
	32	90	123	172	256	172	123	90	
	32	90	123	172	256	172	123	90	

AERIAL FCC

2016.24.026.

FORCE DIAGRAM

shouldered

		Width 260 mm						
		40	40	40	20	40	40	40
Height 160 mm	32	53	78	103	256	103	78	53
	32	75	109	144	361	144	109	75
	32	97	141	186	465	186	141	97
	32	144	209	275	690	275	209	144
	32	132	192	253	535	253	192	132

Support with feather key

		Width 260 mm						
		40	40	40	20	40	40	40
Height 160 mm	32	51	64	94	183	94	64	51
	32	73	89	132	258	132	89	73
	32	94	115	170	275	170	115	94
	32	94	132	189	275	189	132	94
	32	94	132	189	275	189	132	94

35°

		Width 260 mm						
		40	40	40	20	40	40	40
Height 160 mm	32	54	77	99	255	99	77	54
	32	77	109	141	364	141	109	77
	32	100	142	184	472	184	142	100
	32	150	213	275	708	275	213	150
	32	139	197	255	585	255	197	139

35°

		Width 260 mm						
		40	40	40	20	40	40	40
Height 160 mm	32	52	63	91	182	91	63	52
	32	75	89	130	260	130	89	75
	32	97	116	169	262	169	116	97
	32	97	161	210	262	210	161	97
	32	97	161	210	262	210	161	97

40°

		Width 260 mm						
		40	40	40	20	40	40	40
Height 160 mm	32	55	78	100	256	100	78	55
	32	82	115	148	379	148	115	82
	32	110	153	197	502	197	153	110
	32	160	224	289	737	289	224	160
	32	140	197	254	585	254	197	140

40°

		Width 260 mm						
		40	40	40	20	40	40	40
Height 160 mm	32	54	63	92	183	92	63	54
	32	80	94	136	271	136	94	80
	32	106	125	181	359	181	125	106
	32	106	161	233	359	233	161	106
	32	106	161	233	359	233	161	106

45°

		Width 260 mm						
		40	40	40	20	40	40	40
Height 160 mm	32	57	79	101	257	101	79	57
	32	88	122	155	394	155	122	88
	32	119	164	210	532	210	164	119
	32	170	236	302	744	302	236	170
	32	142	197	253	586	253	197	142

45°

		Width 260 mm						
		40	40	40	20	40	40	40
Height 160 mm	32	57	66	95	205	95	66	57
	32	88	102	147	316	147	102	88
	32	119	138	199	363	199	138	119
	32	119	199	286	365	286	199	119
	32	119	166	240	365	240	166	119

50°

		Width 260 mm						
		40	40	40	20	40	40	40
Height 160 mm	32	93	128	162	410	162	128	93
	32	128	176	223	561	223	176	128
	32	181	248	315	747	315	248	181
	32	143	198	252	587	252	198	143
	32	119	183	248	485	248	183	119

50°

		Width 260 mm						
		40	40	40	20	40	40	40
Height 160 mm	32	58	67	96	206	96	67	58
	32	93	108	154	328	154	108	93
	32	128	148	211	449	211	148	128
	32	128	209	298	449	298	209	128
	32	128	166	239	449	239	166	128

55°

		Width 260 mm						
		40	40	40	20	40	40	40
Height 160 mm	32	59	81	102	258	102	81	59
	32	98	134	169	425	169	134	98
	32	138	187	236	575	236	187	138
	32	191	260	328	751	328	260	191
	32	145	198	251	587	251	198	145

55°

		Width 260 mm						
		40	40	40	20	40	40	40
Height 160 mm	32	59	68	97	219	97	68	59
	32	98	113	160	362	160	113	98
	32	138	157	224	454	224	157	138
	32	145	219	311	460	311	219	145
	32	145	167	238	460	238	167	145

AERIAL FCC

2016.24.026.

FORCE DIAGRAM

shouldered

		Width 260 mm						
		40	40	40	20	40	40	40
Height 160 mm	32	60	82	103	259	103	82	60
	32	104	140	176	441	176	140	104
	32	147	198	249	589	249	198	147
	32	201	271	342	755	342	271	201
	32	146	198	250	588	250	198	146

Support with feather key

		Width 260 mm						
		40	40	40	20	40	40	40
Height 160 mm	32	60	69	98	220	98	69	60
	32	104	118	167	375	167	118	104
	32	147	167	236	501	236	167	147
	32	147	205	293	600	293	205	147
	32	146	167	237	500	237	167	146

shouldered

		Width 260 mm						
		40	40	40	20	40	40	40
Height 160 mm	32	62	83	104	260	104	83	62
	32	109	146	183	453	183	146	109
	32	156	209	262	603	262	209	156
	32	211	283	355	759	355	283	211
	32	147	198	249	588	249	198	147

Support with feather key

		Width 260 mm						
		40	40	40	20	40	40	40
Height 160 mm	32	62	70	99	247	99	70	62
	32	109	123	174	430	174	123	109
	32	156	176	248	573	248	176	156
	32	156	238	336	580	336	238	156
	32	147	167	236	559	236	167	147

shouldered

		Width 260 mm						
		40	40	40	20	40	40	40
Height 160 mm	32	63	84	105	261	105	84	63
	32	114	152	190	460	190	152	114
	32	166	221	275	617	275	221	166
	32	221	295	368	763	368	295	221
	32	149	198	248	589	248	198	149

Support with feather key

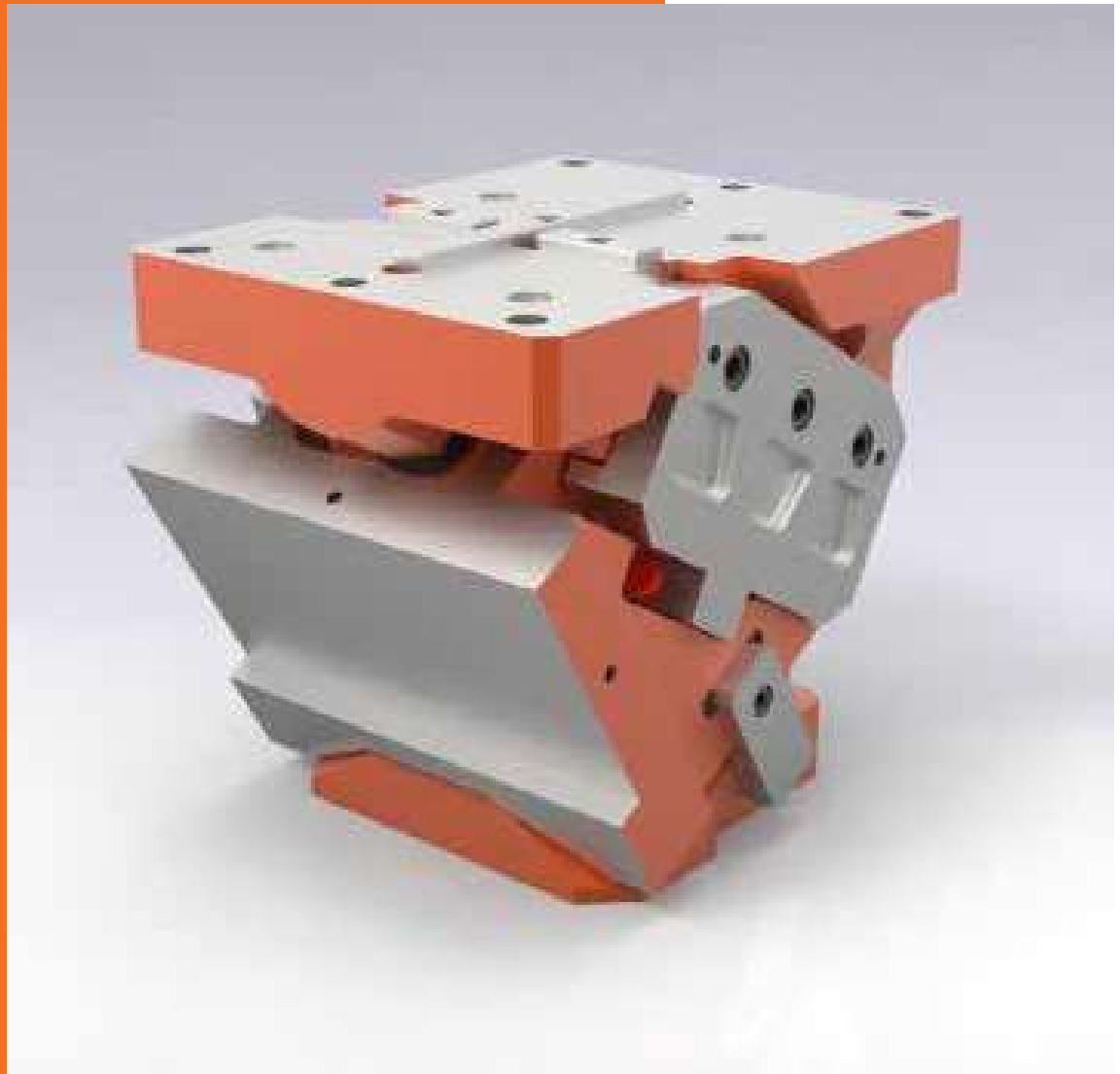
		Width 260 mm						
		40	40	40	20	40	40	40
Height 160 mm	32	63	71	99	248	99	71	63
	32	114	128	180	437	180	128	114
	32	166	186	261	587	261	186	166
	32	150	248	349	725	349	248	150
	32	149	167	235	560	235	167	149

shouldered

		Width 260 mm						
		40	40	40	20	40	40	40
Height 160 mm	32	64	85	106	261	106	85	64
	32	120	158	197	467	197	158	120
	32	175	232	288	632	288	232	175
	32	232	306	381	767	381	306	232
	32	150	199	247	590	247	199	150

Support with feather key

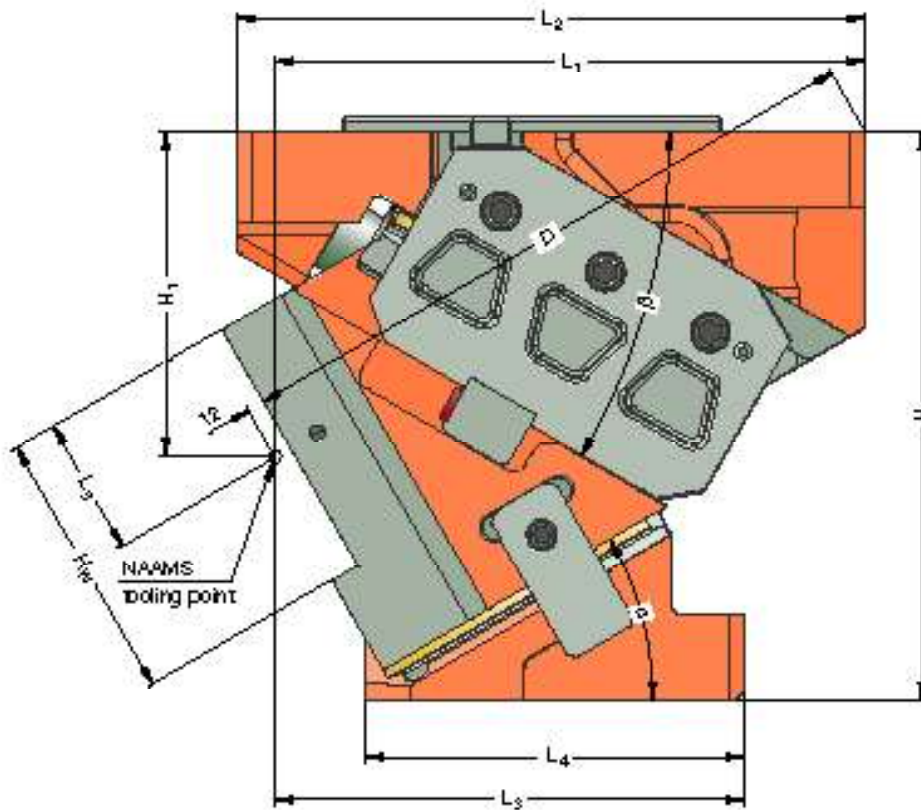
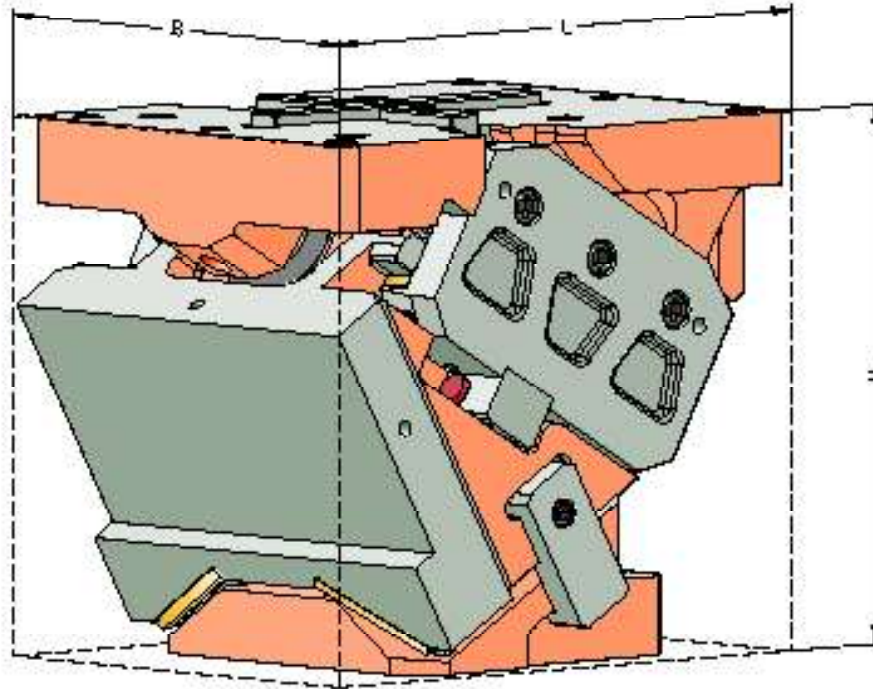
		Width 260 mm						
		40	40	40	20	40	40	40
Height 160 mm	32	64	72	100	261	100	72	64
	32	120	133	187	467	187	133	120
	32	175	195	273	632	273	195	175
	32	175	258	361	767	361	258	175
	32	150	167	234	590	234	167	150



AERIAL FCC 2016.24.033.

Working width: 330 mm
Performance class: 1000 kN

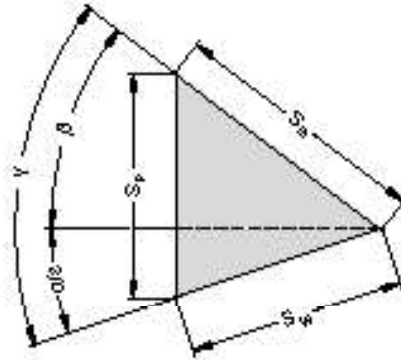
AERIAL FCC
2016.24.033.
 SIZE TABLE



AERIAL FCC

2016.24.033.

SIZE TABLE



Order number	L [mm]	B [mm]	H [mm]	H ₁ [mm]	H _W [mm]	L ₁ [mm]	L ₂ [mm]	L ₃ [mm]	L ₄ [mm]	L ₅ [mm]	D [mm]	α [°]	β [°]	S _W * [mm]	S _S [mm]	S _P * [mm]
2016.24.033.00.2000.00	415	330	375	415	180	403	415	285	280	105	403.0	0	50	37.3	58	44.4
2016.24.033.05.2000.00	415	330	375	185	180	415	415	285	268	90	417.5	5	45	41.2	58	44.6
2016.24.033.10.2000.00	419	330	375	190	180	415	415	285	254	90	429.7	10	45	41.6	58	48.2
2016.24.033.15.2000.00	427	330	375	195	180	415	415	285	255	90	439.3	15	40	46.0	58	49.2
2016.24.033.20.2000.01	434.5	330	375	200	180	415	415	285	245	90	446.4	20	35	50.6	58	50.6
2016.24.033.25.2000.00	417	330	375	205	180	390	415	310	259	90	428.1	25	35	52.4	58	55.4
2016.24.033.30.2000.00	425	330	375	215	180	390	415	310	250	90	433.3	30	30	58.0	58	58.0
2016.24.033.35.2000.00	428	330	375	225	180	390	415	310	237	83	436.5	35	30	61.3	58	64.2
2016.24.033.40.2000.00	439	330	375	235	180	390	415	310	232	90	437.8	40	25	68.6	58	68.6
2016.24.033.45.2000.00	450	330	375	245	180	340	450	310	225	90	401.7	45	25	74.3	58	77.1
2016.24.033.50.2000.00	450	330	375	265	180	340	450	310	222	105	409.6	50	20	84.8	58	84.8
2016.24.033.55.2000.00	450	330	375	285	180	340	450	310	226	110	416.5	55	20	95.0	58	97.7
2016.24.033.60.2000.00	450	330	375	300	180	340	450	310	228	115	418.0	60	15	112.0	58	112.0
2016.24.033.65.2000.00	450	330	375	300	180	340	450	340	242	110	403.6	65	15	102.9	45	104.9
2016.24.033.70.2000.00	450	330	375	300	180	340	450	340	232	100	386.2	70	15	127.1	45	131.1
2016.24.033.75.2000.00	450	330	375	300	180	325	450	325	221	100	361.9	75	10	114.2	30	115.5

* Values rounded

Fastening cam base:

Hexagon socket head cap screws DIN EN ISO 4762
Dowel pins DIN EN ISO 8735

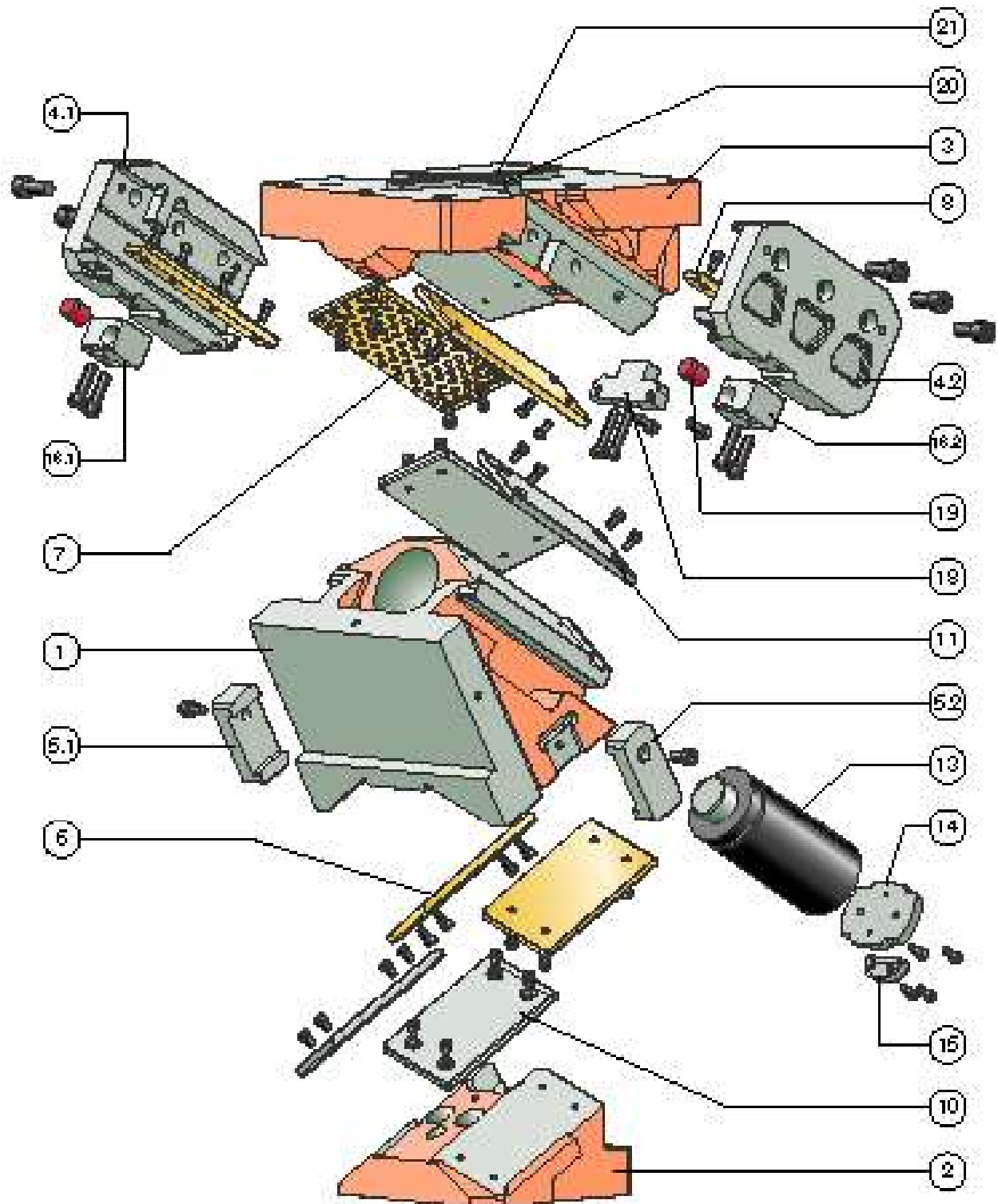
4x M20 / Strength class min. 8.8
2x Ø20

Fastening cam driver :

Hexagon socket head cap screws DIN EN ISO 4762
Dowel pins DIN EN ISO 8735

4x M20 / Strength class min. 8.8
2x Ø20

AERIAL FCC
2016.24.033.
EXPLODED VIEW



AERIAL FCC

2016.24.033.

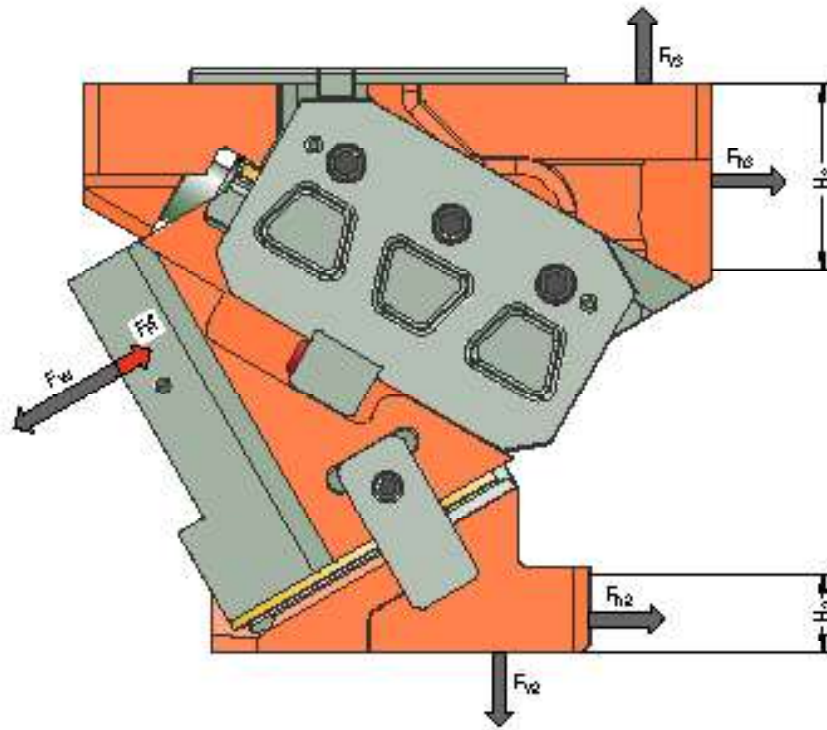
PARTS LIST

Position	Piece	Designation	Material	spare part
1	1	Slider	GGG60	--
2	1	Cam driver	GGG60	--
2.1				
2.2				
3	1	Cam base	GGG60	--
4.1	1	Clamp, left	1.7225	x
4.2	1	Clamp, right	1.7225	x
5.1	1	Positive return, left	1.7225	x
5.2	1	Positive return, right	1.7225	x
6	2	Sliding plate	Bronze with solid lubricant	x
7	2	Sliding plate	Bronze with solid lubricant	x
8	2	Sliding plate	Bronze with solid lubricant	x
9				
10	2	Sliding plate	1.7131	x
11	2	Sliding plate	1.7131	x
12				
13	1	Gas spring	2487.12.03000.□□□	x
14	1	Stop plate	1.7225	x
15	1	Safety plate	1.1191	x
16.1	1	Cam slide stop, left	1.1191	x
16.2	1	Cam slide stop, right	1.1191	x
17				
18	1	Lockout system		x
19	2	Damping element	Elastomer	x
20	2	Feather key (T-nut)		x
21	1	Feather key (T-nut)		x
22				
23				
24				

For inquiries or when ordering spare parts (x), we require the following data:

- ▶ Cam unit order no.
- ▶ Cam unit serial no.
- ▶ Item number / Designation / Spare part

AERIAL FCC 2016.24.033. SYSTEM AND SURROUNDING FORCES



Order number	α [°]	F_W [kN]	F_R^* [kN]	F_{h2} [kN]	F_{v2} [kN]	F_{h3} [kN]	F_{v3} [kN]	H_2 [mm]	H_3 [mm]
2016.24.033.00.2000.00	0	1006	53.3	0	844	1006	844	40	162
2016.24.033.05.2000.00	5	1005	53.6	73	840	928	928	40	164
2016.24.033.10.2000.00	10	1005	59.0	122	693	868	868	40	163
2016.24.033.15.2000.00	15	1005	59.3	182	680	789	940	40	139
2016.24.033.20.2000.01	20	1007	63.3	241	663	705	1007	40	125
2016.24.033.25.2000.00	25	1009	67.0	246	528	668	954	40	145
2016.24.033.30.2000.00	30	1010	67.2	292	505	583	1010	40	126
2016.24.033.35.2000.00	35	1012	77.5	271	387	558	967	40	127
2016.24.033.40.2000.00	40	1013	77.8	304	362	472	1013	40	117
2016.24.033.45.2000.00	45	1014	92.8	261	261	456	978	50	140
2016.24.033.50.2000.00	50	1015	93.1	283	237	369	1015	50	120
2016.24.033.55.2000.00	55	1016	95.0	223	156	360	988	60	120
2016.24.033.60.2000.00	60	1017	100.0	236	136	273	1017	70	114
2016.24.033.65.2000.00	65	1018	100.0	163	76	268	998	32	100
2016.24.033.70.2000.00	70	1019	100.0	84	30	265	988	32	99
2016.24.033.75.2000.00	75	1020	100.0	86	23	178	1008	32	73

* Retraction force values correspond to the spring-generated retraction force at the working point

The forces F_{h2} , F_{v2} as well as F_{h3} , F_{v3} act on the tool environment at maximum working force F_W .

AERIAL FCC

2016.24.033.

FORCE DIAGRAM

shouldered

		Width 330 mm							
		50	50	50	30	50	50	50	
Height 180 mm	0°	36	87	174	261	499	261	174	87
	36	36	118	237	355	679	355	237	118
	36	36	150	300	449	858	449	300	150
	36	36	177	354	531	1001	531	354	177
	36	36	176	351	527	1006	527	351	176

Support with feather key

		Width 330 mm							
		50	50	50	30	50	50	50	
Height 180 mm	0°	36	67	96	115	129	115	96	67
	36	36	67	96	115	129	115	96	67
	36	36	67	96	115	129	115	96	67
	36	36	67	96	115	129	115	96	67
	36	36	67	96	115	129	115	96	67

shouldered

		Width 330 mm							
		50	50	50	30	50	50	50	
Height 180 mm	5°	36	86	172	259	492	259	172	86
	36	36	120	240	360	684	360	240	120
	36	36	153	307	461	876	461	307	153
	36	36	179	358	537	1002	537	358	179
	36	36	178	357	535	1005	535	357	178

Support with feather key

		Width 330 mm							
		50	50	50	30	50	50	50	
Height 180 mm	5°	36	82	95	116	143	116	95	82
	36	36	82	97	116	143	116	97	82
	36	36	82	97	116	143	116	97	82
	36	36	82	97	116	143	116	97	82
	36	36	82	97	116	143	116	97	82

shouldered

		Width 330 mm							
		50	50	50	30	50	50	50	
Height 180 mm	10°	36	85	171	256	486	256	171	85
	36	36	121	243	364	690	364	243	121
	36	36	157	315	472	894	472	315	157
	36	36	181	362	543	1004	543	362	181
	36	36	181	362	543	1005	543	362	181

Support with feather key

		Width 330 mm							
		50	50	50	30	50	50	50	
Height 180 mm	10°	36	79	85	115	156	115	85	79
	36	36	79	99	120	156	120	99	79
	36	36	79	99	120	156	120	99	79
	36	36	79	100	120	156	120	100	79
	36	36	79	100	120	156	120	100	79

shouldered

		Width 330 mm							
		50	50	50	30	50	50	50	
Height 180 mm	15°	36	84	169	254	479	254	169	84
	36	36	123	246	368	696	368	246	123
	36	36	161	322	483	912	483	322	161
	36	36	183	366	549	1005	549	366	183
	36	36	183	367	551	1005	551	367	183

Support with feather key

		Width 330 mm							
		50	50	50	30	50	50	50	
Height 180 mm	15°	36	80	85	114	168	114	85	80
	36	36	80	100	122	168	122	100	80
	36	36	80	100	122	168	122	100	80
	36	36	80	100	122	168	122	100	80
	36	36	80	100	122	168	122	100	80

shouldered

		Width 330 mm							
		50	50	50	30	50	50	50	
Height 180 mm	20°	36	84	167	251	473	251	167	84
	36	36	124	248	373	702	373	248	124
	36	36	164	330	495	930	495	330	164
	36	36	185	370	555	1007	555	370	185
	36	36	186	372	558	1005	558	372	186

Support with feather key

		Width 330 mm							
		50	50	50	30	50	50	50	
Height 180 mm	20°	36	81	84	113	166	113	84	81
	36	36	81	116	148	187	148	116	81
	36	36	81	116	148	187	148	116	81
	36	36	81	116	148	187	148	116	81
	36	36	81	116	148	187	148	116	81

shouldered

		Width 330 mm							
		50	50	50	30	50	50	50	
Height 180 mm	25°	36	83	166	249	466	249	166	83
	36	36	125	251	377	707	377	251	125
	36	36	168	337	506	948	506	337	168
	36	36	186	374	561	1009	561	374	186
	36	36	188	377	566	1004	566	377	188

Support with feather key

		Width 330 mm							
		50	50	50	30	50	50	50	
Height 180 mm	25°	36	80	83	112	163	112	83	80
	36	36	80	126	154	208	154	126	80
	36	36	80	126	154	208	154	126	80
	36	36	80	126	154	208	154	126	80
	36	36	80	126	154	208	154	126	80

AERIAL FCC 2016.24.033. FORCE DIAGRAM

shouldered

		Width 330 mm						
		50	50	50	30	50	50	50
Height 180 mm	36	82	164	246	460	246	164	82
	36	127	254	382	713	382	254	127
	36	172	344	517	966	517	344	172
	36	188	378	567	1010	567	378	188
	36	191	382	574	1004	574	382	191

Support with feather key

		Width 330 mm						
		50	50	50	30	50	50	50
Height 180 mm	36	82	111	161	111	82	79	67
	36	127	172	225	172	127	85	67
	36	133	172	225	172	133	85	67
	36	133	172	225	172	133	85	67
	36	133	172	225	172	133	85	67

35°

		Width 330 mm						
		50	50	50	30	50	50	50
Height 180 mm	36	81	162	244	453	244	162	81
	36	128	257	386	719	386	257	128
	36	175	352	528	984	528	352	175
	36	190	382	573	1012	573	382	190
	36	193	387	582	1004	582	387	193

35°

		Width 330 mm						
		50	50	50	30	50	50	50
Height 180 mm	36	78	114	151	197	151	114	78
	36	78	127	167	227	167	127	78
	36	81	128	169	227	169	128	81
	36	83	135	175	236	175	135	83
	36	82	131	171	234	171	131	82

40°

		Width 330 mm						
		50	50	50	30	50	50	50
Height 180 mm	36	81	161	241	443	241	161	81
	36	131	259	387	711	387	259	131
	36	180	357	534	979	534	357	180
	36	200	396	592	1013	592	396	200
	36	200	396	592	1003	592	396	200

40°

		Width 330 mm						
		50	50	50	30	50	50	50
Height 180 mm	36	79	89	121	177	121	89	79
	36	99	142	194	285	194	142	99
	36	99	157	194	285	194	157	99
	36	99	157	194	285	194	157	99
	36	99	157	194	285	194	157	99

45°

		Width 330 mm						
		50	50	50	30	50	50	50
Height 180 mm	36	81	160	239	433	239	160	81
	36	133	261	389	704	389	261	133
	36	185	362	539	975	539	362	185
	36	210	411	612	1014	612	411	210
	36	207	405	603	1003	603	405	207

45°

		Width 330 mm						
		50	50	50	30	50	50	50
Height 180 mm	36	81	96	131	195	131	96	81
	36	112	157	214	293	214	157	112
	36	112	168	245	293	245	168	112
	36	112	168	245	293	245	168	112
	36	112	168	245	293	245	168	112

50°

		Width 330 mm						
		50	50	50	30	50	50	50
Height 180 mm	36	82	159	236	423	236	159	82
	36	135	263	390	697	390	263	135
	36	189	367	544	970	544	367	189
	36	220	426	631	1015	631	426	220
	36	213	413	613	1003	613	413	213

50°

		Width 330 mm						
		50	50	50	30	50	50	50
Height 180 mm	36	82	95	130	190	130	95	82
	36	128	158	215	314	215	158	128
	36	128	175	250	362	250	175	128
	36	128	175	250	362	250	175	128
	36	128	175	250	362	250	175	128

55°

		Width 330 mm						
		50	50	50	30	50	50	50
Height 180 mm	36	82	158	234	413	234	158	82
	36	138	265	392	689	392	265	138
	36	194	372	550	966	550	372	194
	36	230	440	650	1016	650	440	230
	36	220	422	623	1002	623	422	220

55°

		Width 330 mm						
		50	50	50	30	50	50	50
Height 180 mm	36	82	100	129	207	129	100	82
	36	138	167	216	345	216	167	138
	36	138	208	265	383	265	208	138
	36	138	208	265	383	265	208	138
	36	138	208	265	383	265	208	138

AERIAL FCC

2016.24.033.

FORCE DIAGRAM

shouldered

		Width 330 mm							
		50	50	50	30	50	50	50	
Height 180 mm	60°	36	82	157	232	403	232	157	82
	36	140	267	393	682	393	267	140	
	36	198	377	555	961	555	377	198	
	36	240	455	669	1017	669	455	240	
	36	227	430	634	1002	634	430	227	

Support with feather key

		Width 330 mm							
		50	50	50	30	50	50	50	
Height 180 mm	60°	36	82	99	127	202	127	99	82
	36	140	168	216	341	216	168	140	
	36	158	237	305	481	305	237	158	
	36	158	237	348	481	348	237	158	
	36	158	237	348	481	348	237	158	

shouldered

		Width 330 mm							
		50	50	50	30	50	50	50	
Height 180 mm	65°	36	83	156	229	393	229	156	83
	36	143	269	395	675	395	269	143	
	36	203	382	560	957	560	382	203	
	36	250	469	689	1018	689	469	250	
	36	233	439	644	1001	644	439	233	

Support with feather key

		Width 330 mm							
		50	50	50	30	50	50	50	
Height 180 mm	65°	36	83	98	138	216	138	98	83
	36	143	169	237	371	237	169	143	
	36	173	240	336	482	336	240	173	
	36	173	265	350	495	350	265	173	
	36	173	265	350	495	350	265	173	

shouldered

		Width 330 mm							
		50	50	50	30	50	50	50	
Height 180 mm	70°	36	83	155	227	383	227	155	83
	36	145	271	396	668	396	271	145	
	36	207	387	566	952	566	387	207	
	36	260	484	708	1019	708	484	260	
	36	240	447	654	1001	654	447	240	

Support with feather key

		Width 330 mm							
		50	50	50	30	50	50	50	
Height 180 mm	70°	36	83	119	163	268	163	119	83
	36	145	209	285	467	285	209	145	
	36	200	272	372	497	372	272	200	
	36	200	272	382	505	382	272	200	
	36	200	272	382	508	382	272	200	

shouldered

		Width 330 mm							
		50	50	50	30	50	50	50	
Height 180 mm	75°	36	83	154	225	373	225	154	83
	36	148	273	398	660	398	273	148	
	36	212	391	571	948	571	391	212	
	36	270	499	727	1020	727	499	270	
	36	247	456	665	1001	665	456	247	

Support with feather key

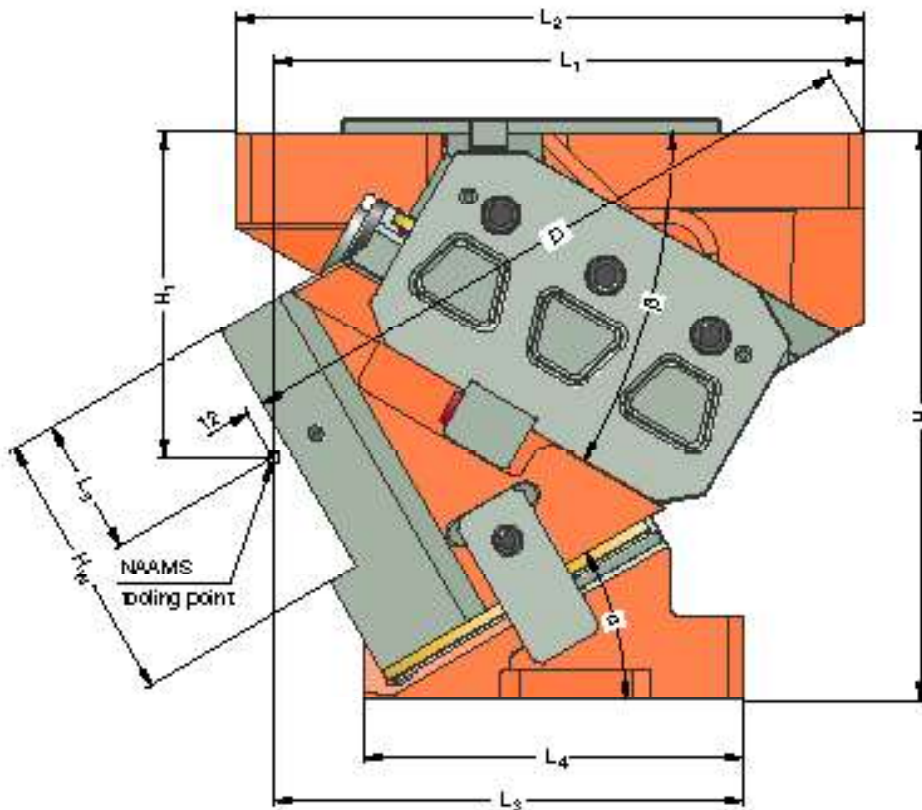
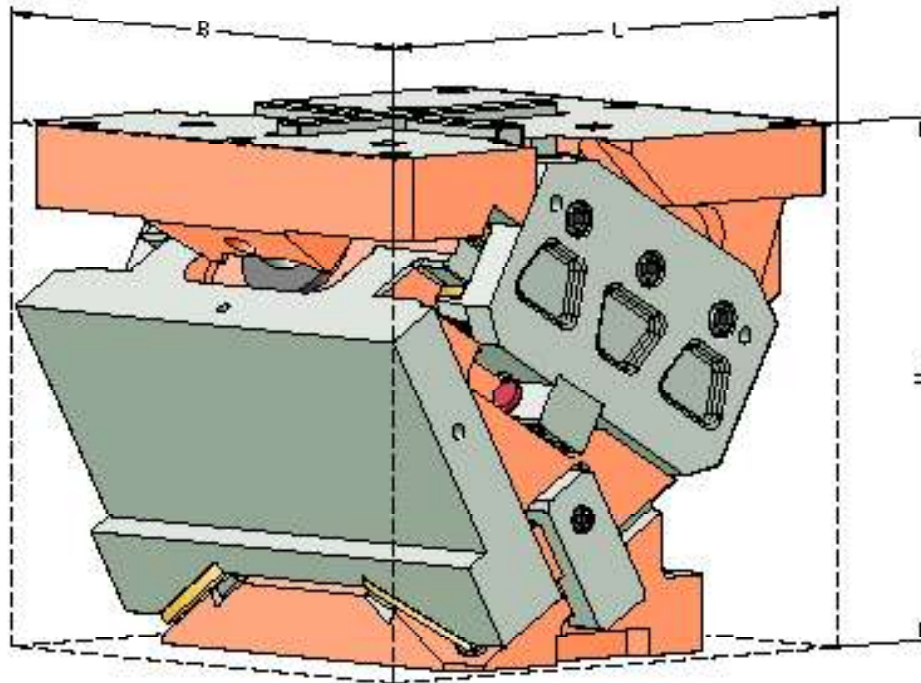
		Width 330 mm							
		50	50	50	30	50	50	50	
Height 180 mm	75°	36	83	119	162	261	162	119	83
	36	148	210	286	462	286	210	148	
	36	212	301	411	663	411	301	212	
	36	270	384	524	714	524	384	270	
	36	247	351	479	700	479	351	247	



AERIAL FCC 2016.24.040.

Working width: 400 mm
Performance class: 1050 kN

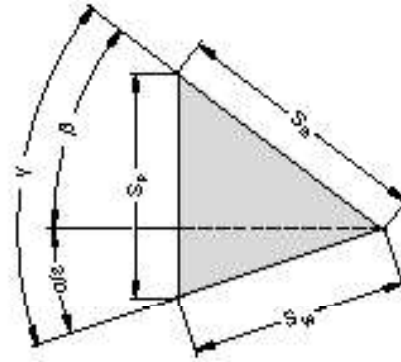
AERIAL FCC
2016.24.040.
 SIZE TABLE



AERIAL FCC

2016.24.040.

SIZE TABLE



Order number	L [mm]	B [mm]	H [mm]	H ₁ [mm]	H _W [mm]	L ₁ [mm]	L ₂ [mm]	L ₃ [mm]	L ₄ [mm]	L ₅ [mm]	D [mm]	α [°]	β [°]	S _W * [mm]	S _S [mm]	S _P * [mm]
2016.24.040.00.2000.00	415	400	375	185	180	415	415	285	280	105	403.0	0	50	37.3	58	44.4
2016.24.040.05.2000.00	415	400	375	185	180	415	415	285	280	90	417.5	5	45	41.2	58	44.6
2016.24.040.10.2000.00	419	400	375	190	180	415	415	285	255	90	429.7	10	45	41.6	58	48.2
2016.24.040.15.2000.00	427	400	375	195	180	415	415	285	255	90	439.3	15	40	46.0	58	49.2
2016.24.040.20.2000.01	434.5	400	375	200	180	415	415	285	245	90	446.4	20	35	50.6	58	50.6
2016.24.040.25.2000.00	417	400	375	205	180	390	415	310	260	90	428.1	25	35	52.4	58	55.4
2016.24.040.30.2000.00	425	400	375	215	180	390	415	310	250	90	433.3	30	30	58.0	58	58.0
2016.24.040.35.2000.00	428	400	375	225	180	390	415	310	237	83	436.5	35	30	61.3	58	64.2
2016.24.040.40.2000.00	439	400	375	235	180	390	415	310	230	90	437.8	40	25	68.6	58	68.6
2016.24.040.45.2000.00	450	400	375	245	180	340	450	310	225	90	401.7	45	25	74.3	58	77.1
2016.24.040.50.2000.00	450	400	375	265	180	340	450	310	215	105	409.6	50	20	84.8	58	84.8
2016.24.040.55.2000.00	450	400	375	285	180	340	450	310	226	110	416.5	55	20	95.0	58	97.7
2016.24.040.60.2000.00	450	400	375	300	180	340	450	310	230	115	417.8	60	15	112.0	58	112.0
2016.24.040.65.2000.00	450	400	375	300	180	340	450	340	242	110	403.6	65	15	102.9	45	104.9
2016.24.040.70.2000.00	450	400	375	300	180	340	450	340	226	100	386.2	70	15	127.1	45	131.1
2016.24.040.75.2000.00	450	400	375	300	180	325	450	325	214	100	361.9	75	10	114.2	30	115.5

* Values rounded

Fastening cam base:

Hexagon socket head cap screws DIN EN ISO 4762
Dowel pins DIN EN ISO 8735

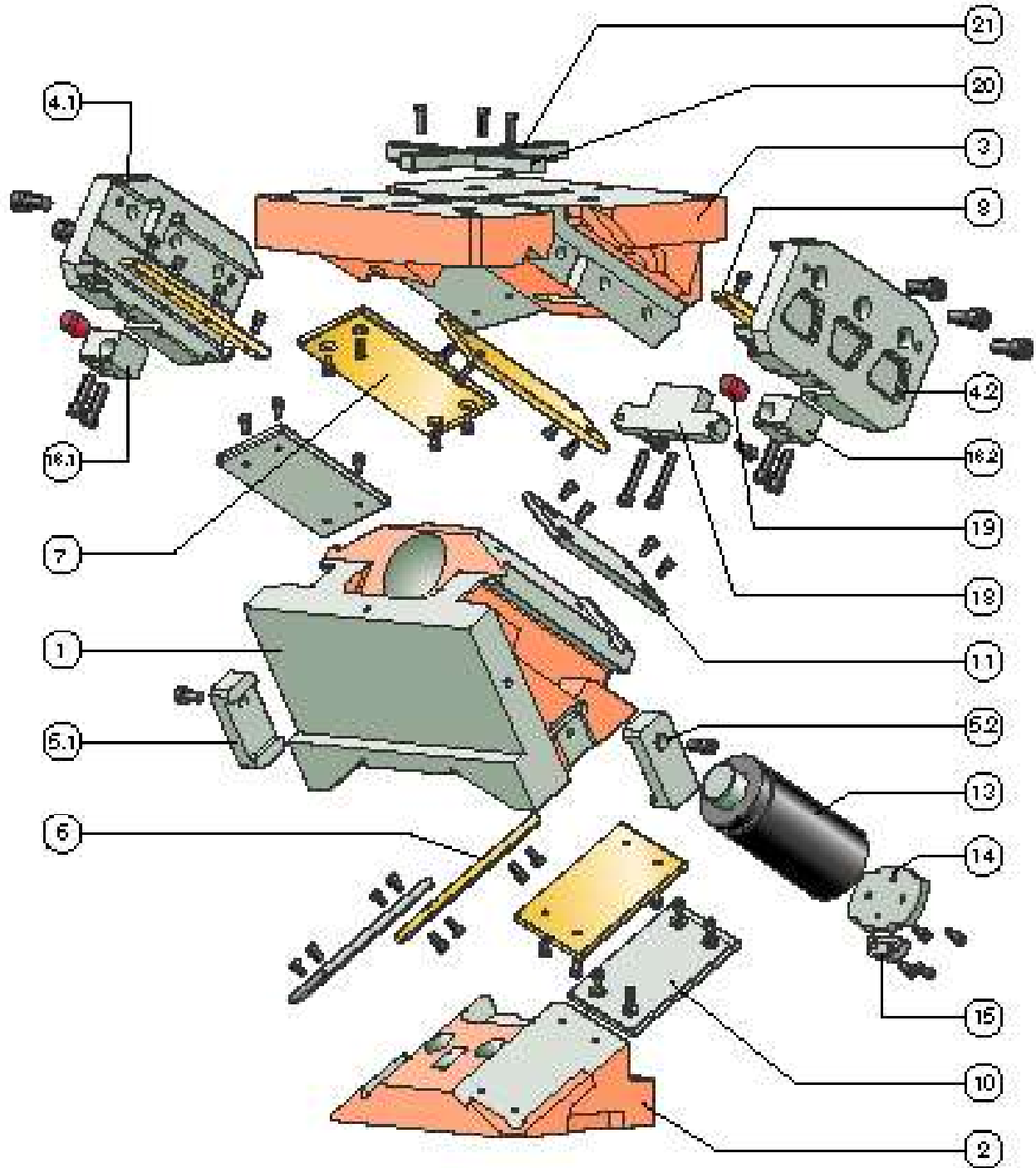
4x M20 / Strength class min. 8.8
2x Ø20

Fastening cam driver :

Hexagon socket head cap screws DIN EN ISO 4762
Dowel pins DIN EN ISO 8735

4x M20 / Strength class min. 8.8
2x Ø20

AERIAL FCC
2016.24.040.
EXPLODED VIEW



AERIAL FCC

2016.24.040.

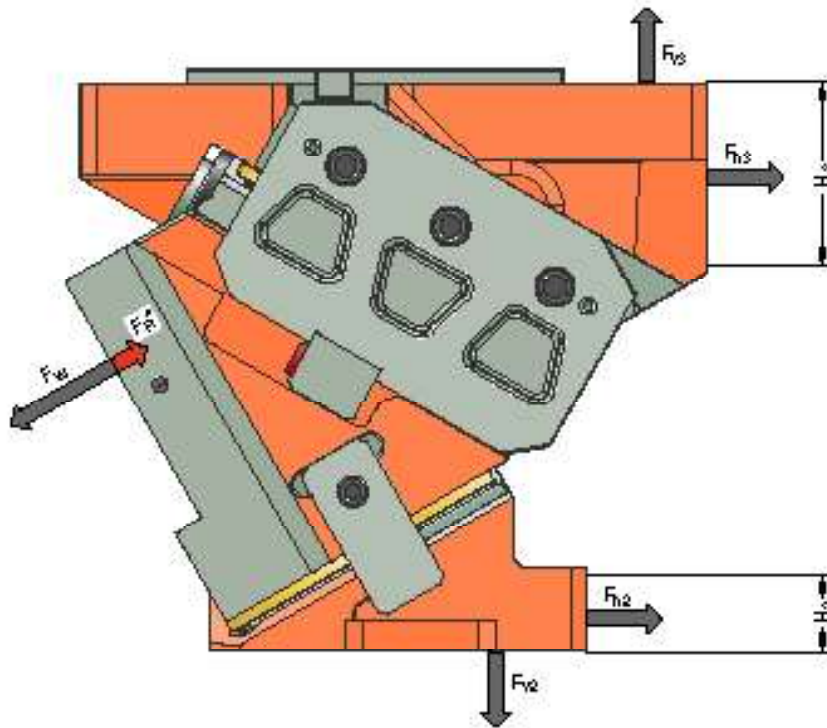
PARTS LIST

Position	Piece	Designation	Material	spare part
1	1	Slider	GGG60	--
2	1	Cam driver	GGG60	--
2.1				
2.2				
3	1	Cam base	GGG60	--
4.1	1	Clamp, left	1.7225	x
4.2	1	Clamp, right	1.7225	x
5.1	1	Positive return, left	1.7225	x
5.2	1	Positive return, right	1.7225	x
6	2	Sliding plate	Bronze with solid lubricant	x
7	2	Sliding plate	Bronze with solid lubricant	x
8	2	Sliding plate	Bronze with solid lubricant	x
9				
10	2	Sliding plate	1.7131	x
11	2	Sliding plate	1.7131	x
12				
13	1	Gas spring	2487.12.03000.□□□	x
14	1	Stop plate	1.7225	x
15	1	Safety plate	1.1191	x
16.1	1	Cam slide stop, left	1.1191	x
16.2	1	Cam slide stop, right	1.1191	x
17				
18	1	Lockout system		x
19	2	Damping element	Elastomer	x
20	2	Feather key (T-nut)		x
21	1	Feather key (T-nut)		x
22				
23				
24				

For inquiries or when ordering spare parts (x), we require the following data:

- ▶ Cam unit order no.
- ▶ Cam unit serial no.
- ▶ Item number / Designation / Spare part

AERIAL FCC 2016.24.040. SYSTEM AND SURROUNDING FORCES



Order number	α [°]	F_W [kN]	F_R^* [kN]	F_{h2} [kN]	F_{v2} [kN]	F_{h3} [kN]	F_{v3} [kN]	H_2 [mm]	H_3 [mm]
2016.24.040.00.2000.00	0	1055	53.6	0	885	1055	885	30	176
2016.24.040.05.2000.00	5	1055	53.9	77	882	974	974	40	176
2016.24.040.10.2000.00	10	1054	59.3	128	727	910	910	40	176
2016.24.040.15.2000.00	15	1054	59.6	191	713	827	986	40	135
2016.24.040.20.2000.01	20	1054	59.8	252	694	738	1054	40	126
2016.24.040.25.2000.00	25	1054	67.2	257	552	698	997	40	134
2016.24.040.30.2000.00	30	1054	67.4	304	527	609	1054	40	125
2016.24.040.35.2000.00	35	1054	77.8	282	403	581	1007	40	125
2016.24.040.40.2000.00	40	1054	83.2	316	377	491	1054	50	110
2016.24.040.45.2000.00	45	1054	93.1	271	271	474	1017	50	140
2016.24.040.50.2000.00	50	1053	93.3	294	246	383	1053	60	120
2016.24.040.55.2000.00	55	1053	100.0	231	162	373	1024	70	120
2016.24.040.60.2000.00	60	1053	100.0	244	141	282	1053	80	112
2016.24.040.65.2000.00	65	1053	100.0	168	78	277	1033	32	100
2016.24.040.70.2000.00	70	1053	100.0	87	32	274	1021	32	100
2016.24.040.75.2000.00	75	1052	100.0	89	24	183	1040	32	49

* Retraction force values correspond to the spring-generated retraction force at the working point

The forces F_{h2} , F_{v2} as well as F_{h3} , F_{v3} act on the tool environment at maximum working force F_W .

AERIAL FCC

2016.24.040.

FORCE DIAGRAM

shouldered

		Width 400 mm							
		60	60	60	40	60	60	60	
Height 180 mm	0°	36	87	218	349	489	349	218	87
	36	36	120	301	446	676	446	301	120
	36	36	153	335	492	863	492	335	153
	36	36	185	355	520	1045	520	355	185
	36	36	186	349	512	1055	512	349	186

Support with feather key

		Width 400 mm							
		60	60	60	40	60	60	60	
Height 180 mm	0°	36	72	109	141	171	141	109	72
	36	36	72	109	141	191	141	109	72
	36	36	72	109	141	191	141	109	72
	36	36	72	109	141	191	141	109	72
	36	36	72	109	141	191	141	109	72

shouldered

		Width 400 mm							
		60	60	60	40	60	60	60	
Height 180 mm	5°	36	84	206	327	475	327	206	84
	36	36	119	289	439	672	439	289	119
	36	36	154	341	500	868	500	341	154
	36	36	186	361	529	1046	529	361	186
	36	36	189	354	519	1055	519	354	189

Support with feather key

		Width 400 mm							
		60	60	60	40	60	60	60	
Height 180 mm	5°	36	72	113	136	166	136	113	72
	36	36	72	113	136	182	136	113	72
	36	36	72	113	136	182	136	113	72
	36	36	72	113	136	182	136	113	72
	36	36	72	113	136	182	136	113	72

shouldered

		Width 400 mm							
		60	60	60	40	60	60	60	
Height 180 mm	10°	36	82	194	306	461	306	194	82
	36	36	119	278	432	667	432	278	119
	36	36	156	347	509	873	509	347	156
	36	36	187	367	537	1047	537	367	187
	36	36	192	359	525	1054	525	359	192

Support with feather key

		Width 400 mm							
		60	60	60	40	60	60	60	
Height 180 mm	10°	36	72	97	138	162	138	97	72
	36	36	72	112	138	194	138	112	72
	36	36	72	112	138	194	138	112	72
	36	36	72	112	138	194	138	112	72
	36	36	72	112	138	194	138	112	72

shouldered

		Width 400 mm							
		60	60	60	40	60	60	60	
Height 180 mm	15°	36	80	182	284	448	284	182	80
	36	36	118	267	415	663	415	267	118
	36	36	157	351	517	878	517	351	157
	36	36	187	373	546	1049	546	373	187
	36	36	195	364	532	1054	532	364	195

Support with feather key

		Width 400 mm							
		60	60	60	40	60	60	60	
Height 180 mm	15°	36	76	91	128	157	128	91	76
	36	36	76	117	153	219	153	117	76
	36	36	76	117	153	219	153	117	76
	36	36	76	117	153	219	153	117	76
	36	36	76	117	153	219	153	117	76

shouldered

		Width 400 mm							
		60	60	60	40	60	60	60	
Height 180 mm	20°	36	78	170	262	434	262	170	78
	36	36	118	255	392	658	392	255	118
	36	36	158	340	522	883	522	340	158
	36	36	188	379	555	1050	555	379	188
	36	36	198	368	539	1054	539	368	198

Support with feather key

		Width 400 mm							
		60	60	60	40	60	60	60	
Height 180 mm	20°	36	75	85	118	152	118	85	75
	36	36	75	128	166	230	166	128	75
	36	36	75	128	166	240	166	128	75
	36	36	75	128	166	240	166	128	75
	36	36	75	128	166	240	166	128	75

shouldered

		Width 400 mm							
		60	60	60	40	60	60	60	
Height 180 mm	25°	36	75	158	241	420	241	158	75
	36	36	117	244	370	654	370	244	117
	36	36	159	329	499	888	499	329	159
	36	36	189	385	563	1051	563	385	189
	36	36	201	373	546	1054	546	373	201

Support with feather key

		Width 400 mm							
		60	60	60	40	60	60	60	
Height 180 mm	25°	36	73	79	108	147	108	79	73
	36	36	73	122	167	229	167	122	73
	36	36	73	130	175	259	175	130	73
	36	36	73	130	175	259	175	130	73
	36	36	73	130	175	259	175	130	73

AERIAL FCC 2016.24.040. FORCE DIAGRAM

shouldered

		Width 400 mm						
		60	60	60	40	60	60	60
Height 180 mm	36	73	146	219	406	219	146	73
	36	117	232	348	650	348	232	117
	36	161	318	476	893	476	318	161
	36	189	376	562	1053	562	376	189
	36	203	378	553	1054	553	378	203

Support with feather key

		Width 400 mm						
		60	60	60	40	60	60	60
Height 180 mm	36	71	73	99	142	99	73	71
	36	80	116	159	227	159	116	80
	36	80	132	187	297	187	132	80
	36	80	132	187	297	187	132	80
	36	80	132	187	297	187	132	80

35°

		Width 400 mm						
		60	60	60	40	60	60	60
Height 180 mm	36	71	134	198	392	198	134	71
	36	116	221	325	645	325	221	116
	36	162	307	453	898	453	307	162
	36	190	361	531	1054	531	361	190
	36	206	383	559	1054	559	383	206

35°

		Width 400 mm						
		60	60	60	40	60	60	60
Height 180 mm	36	69	74	99	157	99	74	69
	36	81	121	163	258	163	121	81
	36	81	134	189	310	189	134	81
	36	81	134	189	310	189	134	81
	36	81	134	189	310	189	134	81

40°

		Width 400 mm						
		60	60	60	40	60	60	60
Height 180 mm	36	77	143	209	393	209	143	77
	36	125	233	340	641	340	233	125
	36	173	322	472	889	472	322	173
	36	206	384	561	1054	561	384	206
	36	219	391	563	1054	563	391	219

40°

		Width 400 mm						
		60	60	60	40	60	60	60
Height 180 mm	36	75	79	105	157	105	79	75
	36	92	128	170	256	170	128	92
	36	92	162	205	356	205	162	92
	36	92	162	205	358	205	162	92
	36	92	162	205	358	205	162	92

45°

		Width 400 mm						
		60	60	60	40	60	60	60
Height 180 mm	36	83	152	221	394	221	152	83
	36	134	245	356	637	356	245	134
	36	184	337	490	880	490	337	184
	36	222	406	582	1054	582	406	222
	36	232	399	567	1053	567	399	232

45°

		Width 400 mm						
		60	60	60	40	60	60	60
Height 180 mm	36	83	91	122	177	122	91	83
	36	108	147	196	287	196	147	108
	36	108	202	227	382	227	202	108
	36	108	202	227	382	227	202	108
	36	108	202	227	382	227	202	108

50°

		Width 400 mm						
		60	60	60	40	60	60	60
Height 180 mm	36	90	161	233	395	233	161	90
	36	142	257	371	633	371	257	142
	36	195	352	509	871	509	352	195
	36	239	416	584	1053	584	416	239
	36	245	408	571	1053	571	408	245

50°

		Width 400 mm						
		60	60	60	40	60	60	60
Height 180 mm	36	90	97	128	178	128	97	90
	36	108	154	204	285	204	154	108
	36	108	189	274	392	274	189	108
	36	108	189	274	474	274	189	108
	36	108	189	274	474	274	189	108

55°

		Width 400 mm						
		60	60	60	40	60	60	60
Height 180 mm	36	96	170	244	396	244	170	96
	36	151	269	386	629	386	269	151
	36	206	367	528	862	528	367	206
	36	255	423	585	1053	585	423	255
	36	257	416	575	1053	575	416	257

55°

		Width 400 mm						
		60	60	60	40	60	60	60
Height 180 mm	36	96	107	134	198	134	107	96
	36	123	169	212	314	212	169	123
	36	123	202	290	431	290	202	123
	36	123	204	290	495	290	204	123
	36	123	202	290	495	290	202	123

AERIAL FCC

2016.24.040.

FORCE DIAGRAM

shouldered

		Width 400 mm							
		60	60	60	40	60	60	60	
Height 180 mm	60°	36	102	179	256	396	256	179	102
	36	36	160	281	401	625	401	281	160
	36	36	218	382	547	853	547	382	218
	36	36	271	429	586	1053	586	429	271
	36	36	270	424	578	1053	578	424	270
	36	36	270	424	578	1053	578	424	270

Support with feather key

		Width 400 mm							
		60	60	60	40	60	60	60	
Height 180 mm	60°	36	102	113	141	198	141	113	102
	36	36	147	177	221	312	221	177	147
	36	36	147	241	301	427	301	241	147
	36	36	147	270	322	526	322	270	147
	36	36	147	267	318	526	318	267	147
	36	36	147	267	318	526	318	267	147

shouldered

		Width 400 mm							
		60	60	60	40	60	60	60	
Height 180 mm	65°	36	108	188	268	397	268	188	108
	36	36	169	293	417	621	417	293	169
	36	36	229	397	566	845	566	397	229
	36	36	285	436	587	1053	587	436	285
	36	36	283	433	582	1053	582	433	283
	36	36	283	433	582	1053	582	433	283

Support with feather key

		Width 400 mm							
		60	60	60	40	60	60	60	
Height 180 mm	65°	36	108	118	161	218	161	118	108
	36	36	196	184	250	341	250	184	196
	36	36	196	250	339	465	339	250	196
	36	36	196	275	352	579	352	275	196
	36	36	196	273	349	579	349	273	196
	36	36	196	273	349	579	349	273	196

shouldered

		Width 400 mm							
		60	60	60	40	60	60	60	
Height 180 mm	70°	36	115	197	279	398	279	197	115
	36	36	177	305	432	617	432	305	177
	36	36	240	412	585	836	585	412	240
	36	36	296	442	588	1052	588	442	296
	36	36	296	441	586	1053	586	441	296
	36	36	296	441	586	1053	586	441	296

Support with feather key

		Width 400 mm							
		60	60	60	40	60	60	60	
Height 180 mm	70°	36	115	152	265	280	265	152	115
	36	36	177	235	410	487	410	235	177
	36	36	190	317	410	666	410	317	190
	36	36	190	317	410	666	410	317	190
	36	36	190	317	450	664	450	317	190
	36	36	190	317	450	664	450	317	190

shouldered

		Width 400 mm							
		60	60	60	40	60	60	60	
Height 180 mm	75°	36	121	206	291	399	291	206	121
	36	36	186	317	447	613	447	317	186
	36	36	251	427	603	827	603	427	251
	36	36	308	449	589	1051	589	449	308
	36	36	309	449	590	1052	590	449	309
	36	36	309	449	590	1052	590	449	309

Support with feather key

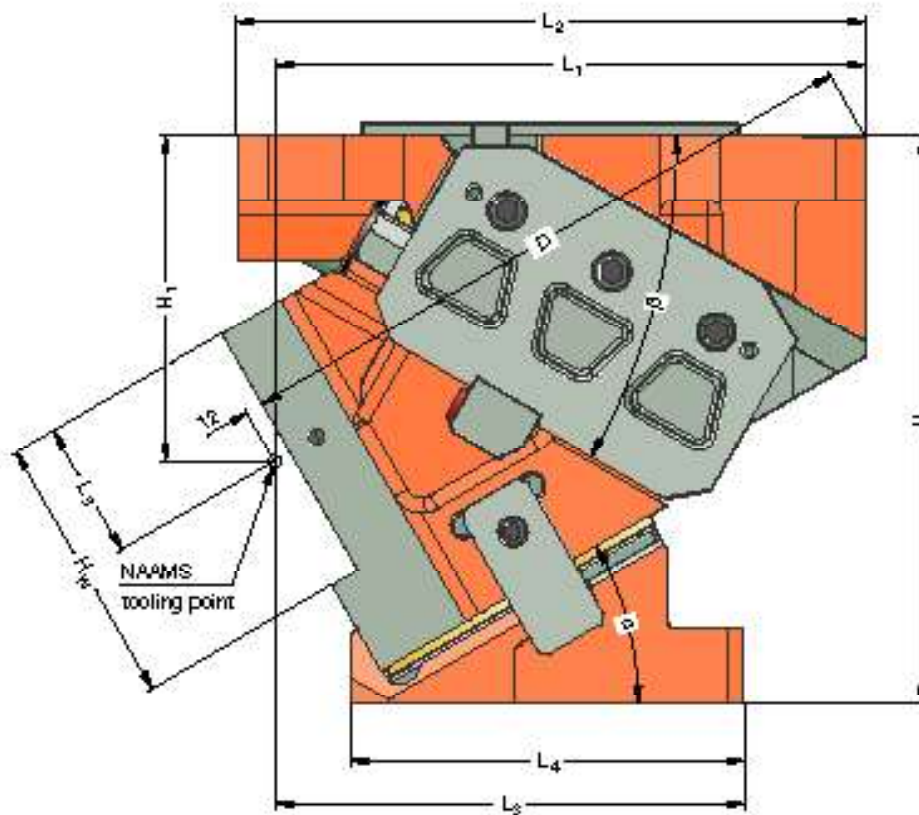
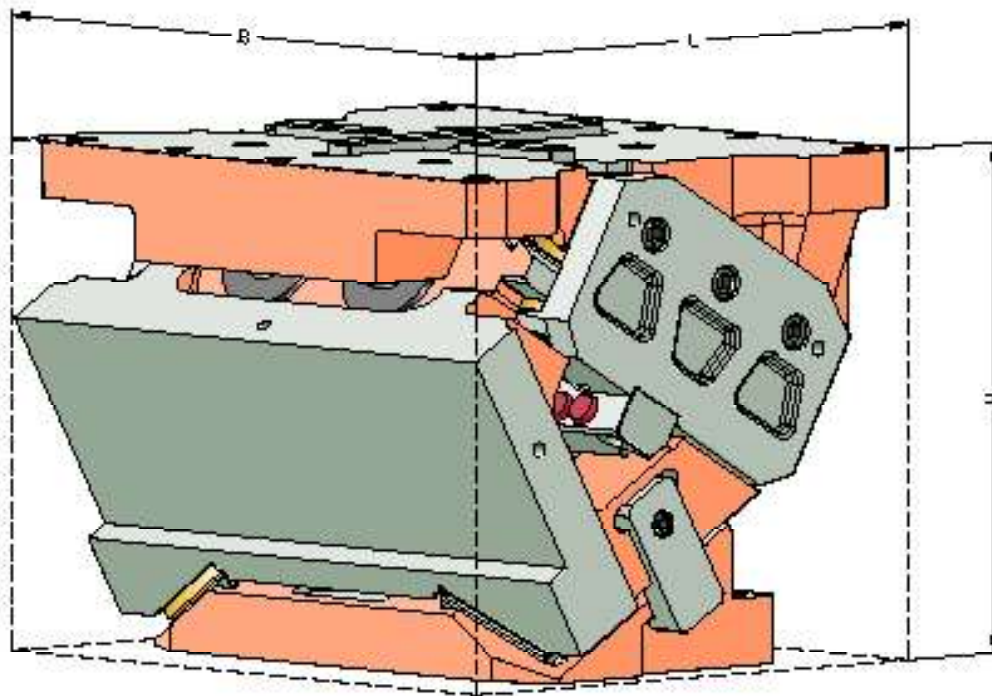
		Width 400 mm							
		60	60	60	40	60	60	60	
Height 180 mm	75°	36	121	159	276	347	276	159	121
	36	36	186	244	425	533	425	244	186
	36	36	251	329	573	719	573	329	251
	36	36	308	345	559	914	559	345	308
	36	36	309	346	560	916	560	346	309
	36	36	309	346	560	916	560	346	309



AERIAL FCC 2016.24.050.

Working width: 500 mm
Performance class: 1150 kN

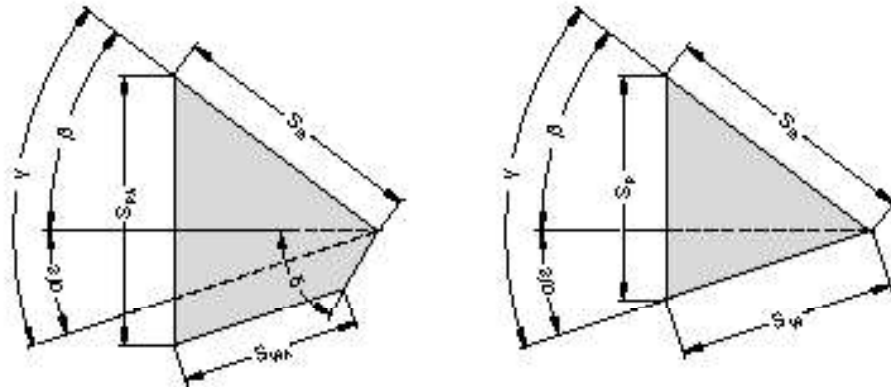
AERIAL FCC
2016.24.050.
 SIZE TABLE



AERIAL FCC

2016.24.050.

SIZE TABLE



Order number	L	B	H	H ₁	H _W	L ₁	L ₂	L ₃	L ₄	L ₅	D	α	β	δ	S _W *	S _{WA} *	S _S	S _P *	S _{PA} *	
	[mm]	[mm]	[mm]	[mm]	[mm]	[mm]	[mm]	[mm]	[mm]	[mm]	[mm]	[°]	[°]	[°]	[mm]	[mm]	[mm]	[mm]	[mm]	
2016.24.050.																				
00.2000.00	423	500	375	180	180	415	415	285	280	105	403.0	0	50	30	-	28.6	58	-	49.4	
05.2000.00	415	500	375	185	180	415	415	285	280	90	417.5	5	45	35	-	32.9	58	-	49.6	
10.2000.00	419	500	375	190	180	415	415	285	267	90	429.7	10	45	40	-	33.9	58	-	53.3	
15.2000.00	435	500	375	200	180	415	415	285	258	90	446.4	15	40	45	-	38.7	58	-	54.4	
20.2000.00	439	500	375	195	180	415	415	285	267	90	439.3	20	35	50	-	43.7	58	-	55.9	
25.2000.00	417	500	375	205	180	390	415	310	270	90	428.1	25	35	55	-	46.1	58	-	60.9	
30.2000.00	417	500	375	215	180	390	415	310	260	90	432.3	30	30	60	-	52.2	58	-	63.8	
35.2000.00	428	500	375	225	180	390	415	310	247	83	436.5	35	30	65	-	56.2	58	-	70.3	
40.2000.00	439	500	375	235	180	390	415	310	240	90	437.8	40	25	70	-	64.2	58	-	75.1	
45.2000.00	455	500	375	245	180	340	455	310	225	90	401.7	45	25	75	-	70.7	58	-	84.1	
50.2000.00	450	500	375	265	180	340	450	310	223	105	409.6	50	20	-	84.8	-	58	84.8	-	
55.2000.00	450	500	375	285	180	340	450	310	232	110	416.5	55	20	-	95.0	-	58	97.7	-	
60.2000.00	450	500	375	300	180	340	450	310	229	115	417.8	60	15	-	112.0	-	58	112.0	-	
65.2000.00	450	500	375	300	180	340	450	340	250	110	403.6	65	15	-	102.9	-	45	104.9	-	
70.2000.00	450	500	375	300	180	340	450	340	228	100	386.2	70	15	-	127.1	-	45	131.1	-	
75.2000.00	450	500	375	300	180	325	450	325	213	100	361.9	75	10	-	114.2	-	30	115.5	-	

* Values rounded

Fastening cam base:

Hexagon socket head cap screws DIN EN ISO 4762
Dowel pins DIN EN ISO 8735

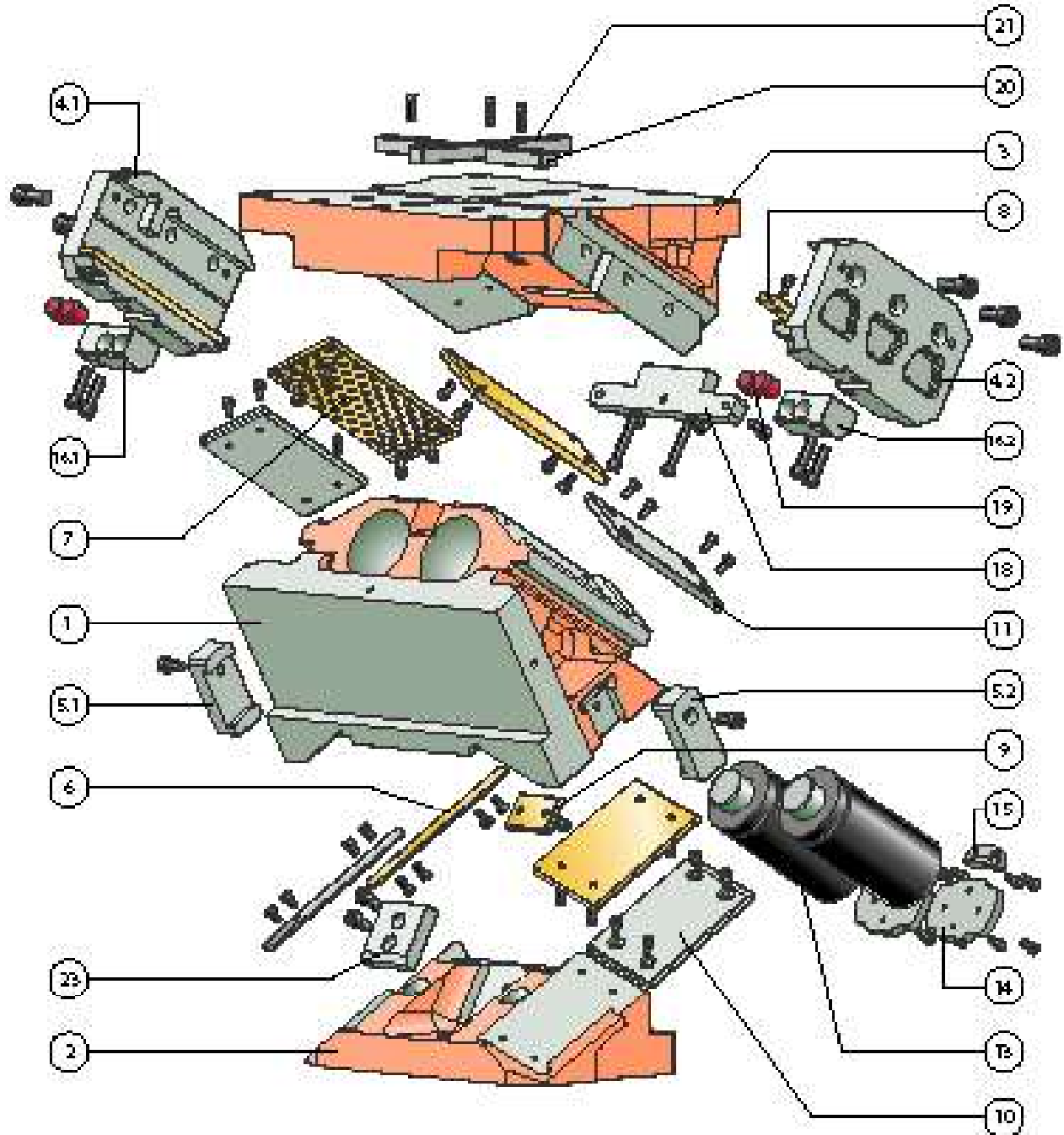
6x M20 / Strength class min. 8.8
2x Ø20

Fastening cam driver :

Hexagon socket head cap screws DIN EN ISO 4762
Dowel pins DIN EN ISO 8735

4x M20 / Strength class min. 8.8
4x Ø20

AERIAL FCC
2016.24.050.
EXPLODED VIEW



AERIAL FCC

2016.24.050.

PARTS LIST

Position	Piece	Designation	Material	spare part
1	1	Slider	GGG60	--
2	1	Cam driver	GGG60	--
2.1				
2.2				
3	1	Cam base	GGG60	--
4.1	1	Clamp, left	1.7225	x
4.2	1	Clamp, right	1.7225	x
5.1	1	Positive return, left	1.7225	x
5.2	1	Positive return, right	1.7225	x
6	2	Sliding plate	Bronze with solid lubricant	x
7	2	Sliding plate	Bronze with solid lubricant	x
8	2	Sliding plate	Bronze with solid lubricant	x
9*	2	Sliding plate	Bronze with solid lubricant	x
10	2	Sliding plate	1.7131	x
11	2	Sliding plate	1.7131	x
12				
13	2	Gas spring	2487.12.03000.□□□	x
14	2	Stop plate	1.7225	x
15	2	Safety plate	1.1191	x
16.1	1	Cam slide stop, left	1.1191	x
16.2	1	Cam slide stop, right	1.1191	x
17				
18	1	Lockout system		x
19	4	Damping element	Elastomer	x
20	2	Feather key (T-nut)		x
21	1	Feather key (T-nut)		x
22				
23*	1	Pre-acceleration		x
24				

* up to and including 45° with pre-acceleration

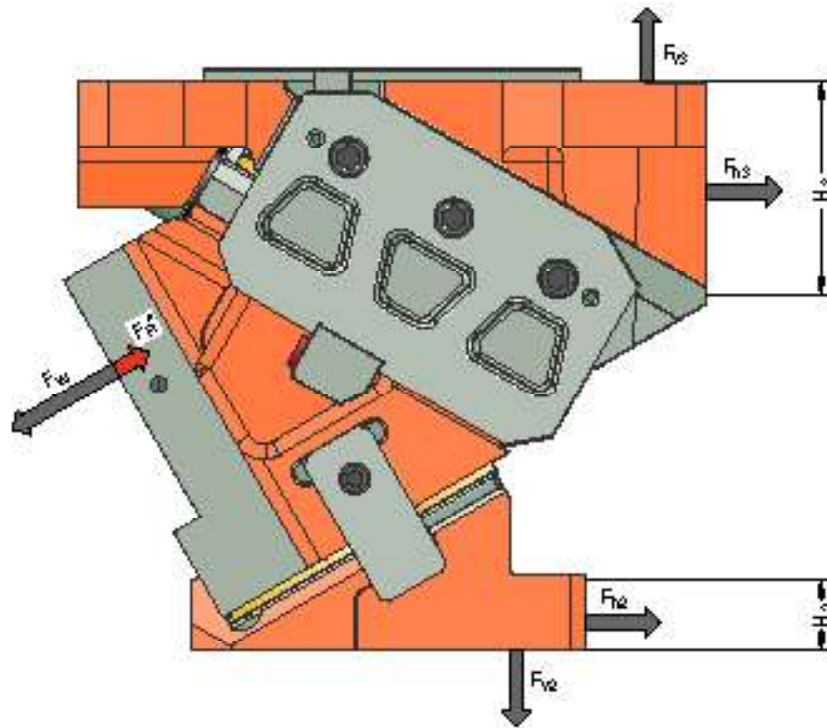
For inquiries or when ordering spare parts (x), we require the following data:

- ▶ Cam unit order no.
- ▶ Cam unit serial no.
- ▶ Item number / Designation / Spare part

AERIAL FCC

2016.24.050.

SYSTEM AND SURROUNDING FORCES



Order number	α [°]	F_W [kN]	F_R^* [kN]	F_{h2} [kN]	F_{v2} [kN]	F_{h3} [kN]	F_{v3} [kN]	H_2 [mm]	H_3 [mm]
2016.24.050.00.2000.00	0	1155	108.4	0	969	1155	969	30	179
2016.24.050.05.2000.00	5	1155	109.0	84	965	1066	1066	40	172
2016.24.050.10.2000.00	10	1155	120.3	140	796	997	997	40	174
2016.24.050.15.2000.00	15	1155	120.9	209	781	906	1080	40	137
2016.24.050.20.2000.00	20	1155	121.4	277	760	809	1155	40	155
2016.24.050.25.2000.00	25	1155	125.0	282	604	765	1092	40	170
2016.24.050.30.2000.00	30	1155	125.0	333	578	667	1155	40	146
2016.24.050.35.2000.00	35	1155	125.0	309	441	637	1104	40	143
2016.24.050.40.2000.00	40	1155	125.0	346	413	539	1155	60	115
2016.24.050.45.2000.00	45	1155	125.0	297	297	519	1114	70	140
2016.24.050.50.2000.00	50	1155	125.0	322	270	420	1155	80	117
2016.24.050.55.2000.00	55	1155	125.0	254	178	409	1124	80	109
2016.24.050.60.2000.00	60	1155	125.0	268	155	309	1155	90	103
2016.24.050.65.2000.00	65	1155	125.0	185	86	304	1133	89	83
2016.24.050.70.2000.00	70	1155	125.0	95	35	300	1120	116	100
2016.24.050.75.2000.00	75	1155	125.0	98	26	201	1142	146	77

* Retraction force values correspond to the spring-generated retraction force at the working point

The forces F_{h2} , F_{v2} as well as F_{h3} , F_{v3} act on the tool environment at maximum working force F_W .

AERIAL FCC

2016.24.050.

FORCE DIAGRAM

shouldered

		Width 500 mm								
		50	50	60	60	60	60	60	50	50
Height 180 mm	36	140	190	227	272	316	272	227	190	140
	36	143	264	375	507	640	507	375	264	143
	36	145	317	472	659	846	659	472	317	145
	36	148	357	546	773	1000	773	546	357	148
	36	151	397	620	887	1006	887	620	397	151
	36									

Support with feather key

		Width 500 mm								
		50	50	60	60	60	60	60	50	50
Height 180 mm	36	63	82	109	160	210	160	109	82	63
	36	64	82	110	161	212	161	110	82	64
	36	64	82	110	163	214	163	110	82	64
	36	66	82	110	173	237	173	110	82	66
	36	68	82	110	173	237	173	110	82	68
	36									

5°

		Width 500 mm								
		50	50	60	60	60	60	60	50	50
Height 180 mm	36	138	210	268	333	398	333	268	210	138
	36	146	268	378	511	643	511	378	268	146
	36	154	325	480	667	853	667	480	325	154
	36	159	366	553	779	1004	779	553	366	159
	36	164	406	626	891	1155	891	626	406	164
	36									

5°

		Width 500 mm								
		50	50	60	60	60	60	60	50	50
Height 180 mm	36	64	88	116	173	230	173	116	88	64
	36	65	88	116	175	233	175	116	88	65
	36	66	88	116	177	235	177	116	88	66
	36	68	88	116	180	245	180	116	88	68
	36	69	88	116	180	245	180	116	88	69
	36									

10°

		Width 500 mm								
		50	50	60	60	60	60	60	50	50
Height 180 mm	36	137	209	274	353	431	353	274	209	137
	36	150	271	381	541	646	541	381	271	150
	36	163	334	489	675	861	675	489	334	163
	36	170	375	561	784	1008	784	561	375	170
	36	176	416	633	894	1155	894	633	416	176
	36									

10°

		Width 500 mm								
		50	50	60	60	60	60	60	50	50
Height 180 mm	36	64	88	112	186	250	186	112	88	64
	36	66	88	112	189	253	189	112	88	66
	36	68	88	112	192	256	192	112	88	68
	36	69	88	112	198	265	198	112	88	69
	36	71	88	112	204	274	204	112	88	71
	36									

15°

		Width 500 mm								
		50	50	60	60	60	60	60	50	50
Height 180 mm	36	135	207	272	351	430	351	272	207	135
	36	153	275	385	517	649	517	385	275	153
	36	172	342	497	683	868	683	497	342	172
	36	180	384	568	790	1012	790	568	384	180
	36	189	425	640	897	1155	897	640	425	189
	36									

15°

		Width 500 mm								
		50	50	60	60	60	60	60	50	50
Height 180 mm	36	65	89	117	200	270	200	117	89	65
	36	68	89	117	203	273	203	117	89	68
	36	70	89	117	206	277	206	117	89	70
	36	71	89	117	208	279	208	117	89	71
	36	73	89	117	210	281	210	117	89	73
	36									

20°

		Width 500 mm								
		50	50	60	60	60	60	60	50	50
Height 180 mm	36	143	214	280	358	436	358	280	214	143
	36	157	278	389	521	653	521	389	278	157
	36	172	342	498	684	870	684	498	342	172
	36	170	376	563	788	1012	788	563	376	170
	36	168	409	629	892	1155	892	629	409	168
	36									

20°

		Width 500 mm								
		50	50	60	60	60	60	60	50	50
Height 180 mm	36	72	93	128	189	250	189	128	93	72
	36	74	93	130	192	253	192	130	93	74
	36	76	93	133	194	256	194	133	93	76
	36	77	93	135	197	260	197	135	93	77
	36	79	93	137	201	264	201	137	93	79
	36									

25°

		Width 500 mm								
		50	50	60	60	60	60	60	50	50
Height 180 mm	36	150	222	287	365	443	365	287	222	150
	36	161	282	393	525	657	525	393	282	161
	36	172	343	498	685	872	685	498	343	172
	36	159	368	558	786	1013	786	558	368	159
	36	147	393	617	886	1155	886	617	393	147
	36									

25°

		Width 500 mm								
		50	50	60	60	60	60	60	50	50
Height 180 mm	36	79	97	126	178	230	178	126	97	79
	36	80	97	128	180	233	180	128	97	80
	36	82	97	130	183	235	183	130	97	82
	36	83	97	133	187	241	187	133	97	83
	36	85	97	136	192	248	192	136	97	85
	36									

AERIAL FCC 2016.24.050. FORCE DIAGRAM

shouldered

		Width 500 mm								
		50	50	60	60	60	60	60	50	50
Height 180 mm	36°	151	229	294	372	450	372	294	229	151
	36	165	286	397	529	662	529	397	286	165
	36	172	343	499	686	873	686	499	343	172
	36	149	360	553	783	1014	783	553	360	149
	36	126	378	606	881	1155	881	606	378	126

Support with feather key

		Width 500 mm								
		50	50	60	60	60	60	60	50	50
Height 180 mm	36°	86	105	125	167	210	167	125	105	86
	36	86	105	126	169	212	169	126	105	86
	36	86	105	128	171	214	171	128	105	86
	36	86	105	161	177	223	177	161	105	86
	36	86	105	135	183	231	183	135	105	86

35°

		Width 500 mm								
		50	50	60	60	60	60	60	50	50
Height 180 mm	36°	144	219	287	369	450	369	287	219	144
	36	161	284	396	530	665	530	396	284	161
	36	178	349	505	692	880	692	505	349	178
	36	166	374	563	790	1017	790	563	374	166
	36	154	399	621	888	1155	888	621	399	154

35°

		Width 500 mm								
		50	50	60	60	60	60	60	50	50
Height 180 mm	36°	82	93	111	180	266	180	111	93	82
	36	85	101	127	220	288	220	127	101	85
	36	86	101	133	235	310	235	133	101	86
	36	86	101	135	241	318	241	135	101	86
	36	86	101	135	248	325	248	135	101	86

40°

		Width 500 mm								
		50	50	60	60	60	60	60	50	50
Height 180 mm	36°	131	209	280	365	450	365	280	209	131
	36	157	282	396	532	668	532	396	282	157
	36	183	355	511	699	886	699	511	355	183
	36	183	387	574	797	1021	797	574	387	183
	36	182	420	636	896	1155	896	636	420	182

40°

		Width 500 mm								
		50	50	60	60	60	60	60	50	50
Height 180 mm	36°	90	92	113	175	322	175	113	92	90
	36	92	101	125	221	364	221	125	101	92
	36	94	110	145	237	406	237	145	110	94
	36	94	110	145	280	413	280	145	110	94
	36	94	110	145	280	419	280	145	110	94

45°

		Width 500 mm								
		50	50	60	60	60	60	60	50	50
Height 180 mm	36°	118	199	273	362	442	362	273	199	118
	36	154	280	395	533	671	533	395	280	154
	36	186	361	517	705	893	705	517	361	186
	36	200	401	584	804	1024	804	584	401	200
	36	210	441	651	903	1155	903	651	441	210

45°

		Width 500 mm								
		50	50	60	60	60	60	60	50	50
Height 180 mm	36°	92	127	182	222	378	222	182	127	92
	36	95	129	203	283	440	283	203	129	95
	36	100	131	224	313	502	313	224	131	100
	36	100	131	224	313	508	313	224	131	100
	36	100	131	224	313	513	313	224	131	100

50°

		Width 500 mm								
		50	50	60	60	60	60	60	50	50
Height 180 mm	36°	122	201	272	349	420	349	272	201	122
	36	148	279	399	542	685	542	399	279	148
	36	174	358	525	726	927	726	525	358	174
	36	183	393	584	812	1041	812	584	393	183
	36	193	428	642	898	1155	898	642	428	193

50°

		Width 500 mm								
		50	50	60	60	60	60	60	50	50
Height 180 mm	36°	93	105	129	187	363	187	129	105	93
	36	103	125	153	207	486	207	153	125	103
	36	105	137	169	296	609	296	169	137	105
	36	107	140	173	325	617	325	173	140	107
	36	107	140	173	325	625	325	173	140	107

55°

		Width 500 mm								
		50	50	60	60	60	60	60	50	50
Height 180 mm	36°	126	202	259	328	397	328	259	202	126
	36	143	279	402	550	699	550	402	279	143
	36	160	356	534	747	961	747	534	356	160
	36	167	385	583	820	1058	820	583	385	167
	36	175	415	632	894	1155	894	632	415	175

55°

		Width 500 mm								
		50	50	60	60	60	60	60	50	50
Height 180 mm	36°	105	113	132	187	347	187	132	113	105
	36	107	132	160	263	531	263	160	132	107
	36	122	150	185	315	630	315	185	150	122
	36	127	156	185	339	659	339	185	156	127
	36	132	156	185	339	659	339	185	156	132

AERIAL FCC

2016.24.050.

FORCE DIAGRAM

shouldered

		Width 500 mm									
		50	50	60	60	60	60	60	50	50	
Height 180 mm	36	124	185	241	308	375	308	241	185	124	
	36	138	278	406	559	712	559	406	278	138	
	36	145	353	542	768	995	768	542	353	145	
	36	151	377	582	829	1075	829	582	377	151	
	36	158	401	623	889	1155	889	623	401	158	

Support with feather key

		Width 500 mm									
		50	50	60	60	60	60	60	50	50	
Height 180 mm	36	105	111	131	170	332	170	131	111	105	
	36	109	126	150	225	483	225	150	126	109	
	36	120	157	208	298	822	298	208	157	120	
	36	138	180	227	420	835	420	227	180	138	
	36	140	180	227	420	849	420	227	180	140	

65°

		Width 500 mm									
		50	50	60	60	60	60	60	50	50	
Height 180 mm	36	128	186	238	301	363	301	238	186	128	
	36	147	290	413	560	707	560	413	290	147	
	36	167	363	542	756	970	756	542	363	167	
	36	181	397	592	828	1063	828	592	397	181	
	36	195	430	643	899	1155	899	643	430	195	

65°

		Width 500 mm									
		50	50	60	60	60	60	60	50	50	
Height 180 mm	36	123	126	151	169	260	169	151	126	123	
	36	127	147	173	228	502	228	173	147	127	
	36	153	193	221	279	750	279	221	193	153	
	36	165	201	268	449	880	449	268	201	165	
	36	177	207	268	473	880	473	268	207	177	

70°

		Width 500 mm									
		50	50	60	60	60	60	60	50	50	
Height 180 mm	36	132	186	235	293	352	293	235	186	132	
	36	146	271	385	521	658	521	385	271	146	
	36	161	357	536	744	946	744	536	357	161	
	36	209	416	603	827	1051	827	603	416	209	
	36	233	458	663	909	1155	909	663	458	233	

70°

		Width 500 mm									
		50	50	60	60	60	60	60	50	50	
Height 180 mm	36	125	150	181	227	240	227	181	150	125	
	36	143	175	207	263	500	263	207	175	143	
	36	160	223	245	325	753	325	245	223	160	
	36	193	245	360	521	890	521	360	245	193	
	36	215	245	390	553	890	553	390	245	215	

75°

		Width 500 mm									
		50	50	60	60	60	60	60	50	50	
Height 180 mm	36	136	186	231	286	340	286	231	186	136	
	36	145	253	351	468	585	468	351	253	145	
	36	155	320	470	651	831	651	470	320	155	
	36	202	400	579	794	1009	794	579	400	202	
	36	250	479	683	919	1155	919	683	479	250	

75°

		Width 500 mm									
		50	50	60	60	60	60	60	50	50	
Height 180 mm	36	126	157	220	230	290	230	220	157	126	
	36	141	175	220	260	557	260	220	175	141	
	36	155	278	419	551	831	551	419	278	155	
	36	202	303	478	691	1038	691	478	303	202	
	36	250	325	536	702	1155	702	536	325	250	



AERIAL FCC 2016.24.060.

Working width: 600 mm
Performance class: 1200 kN