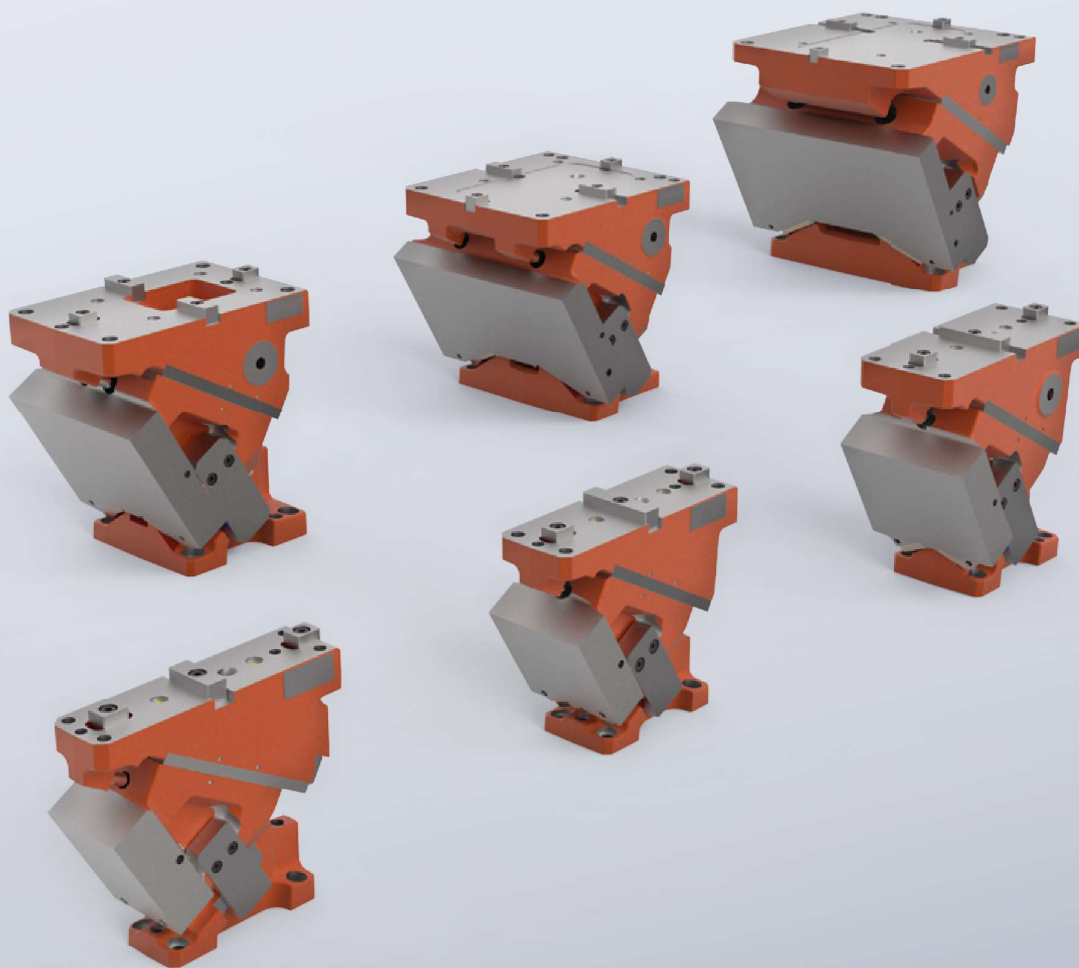


AERIAL CAM UNIT FCC-LV  
**2016.26.**



# AERIAL CAM UNIT FCC-LV 2016.26.



We have developed our FCC OT-LV 2016.26. series aerial cam units specifically for the requirements of small and medium-sized press tools. They are true winners in their class thanks to market-leading working and retraction forces combined with compact dimensions. The glide pairing of this cam unit series is performed in sintered/bronze sliding elements against a non-hardened cast surface. The wear elements of the guides are catalog items from our Standard Parts product range and offer excellent availability.

The gas springs are accessible from the rear of the cam unit in all cam slide units in this series and can be disassembled within the tool. These gas springs with the advanced safety features used in our cam units, provide the best possible safety standards according to the Pressure Equipment Directive.

The cam slide units in this series meet the requirements of the BAK specifications, and are available from stock in the event of a crash. These cam units can be ordered ex works with a machined work surface according to your data set upon request. This machining meets the highest requirements of modern toolmaking processes.

## Design features:

- Prism guide against driver / box guide against base
- Cast sliding surfaces (unhardened) / bronze with solid lubricant or sinter
- Gas spring with safety features
- The gas spring can be removed within the tool (without disassembling the cam unit).
- Mechanical retraction
- Structural damper
- Cam unit in the tool can be removed towards the rear

Aerial cam units in the FCC OT-LV 2016.26 series are available in twelve widths as standard from 65mm to 400mm, each in angle variants from 0-75° in 5° increments. Beginning from a width of 185mm, the cam slide units in this series are equipped with plate pre-acceleration to improve the dynamic response.

Further widths and angles, as well as further customer-specific designs are available on request.

| Order No               | Width [mm] | Performance class [kN] | Page |
|------------------------|------------|------------------------|------|
| 2016.26.006.□□.1000.00 | 65         | 120                    | 21   |
| 2016.26.008.□□.1000.00 | 85         | 120                    | 21   |
| 2016.26.009.□□.1000.00 | 90         | 200                    | 31   |
| 2016.26.011.□□.1000.00 | 115        | 200                    | 31   |
| 2016.26.012.□□.1000.00 | 125        | 280                    | 41   |
| 2016.26.016.□□.1000.00 | 160        | 280                    | 41   |
| 2016.26.018.□□.1000.00 | 185        | 450                    | 51   |
| 2016.26.022.□□.1000.00 | 220        | 450                    | 51   |
| 2016.26.026.□□.1000.00 | 260        | 580                    | 61   |
| 2016.26.031.□□.1000.00 | 310        | 580                    | 61   |
| 2016.26.034.□□.1000.00 | 340        | 780                    | 71   |
| 2016.26.040.□□.1000.00 | 400        | 780                    | 71   |
| assembly instructions  |            |                        | 81   |

## Ordering Code (example):

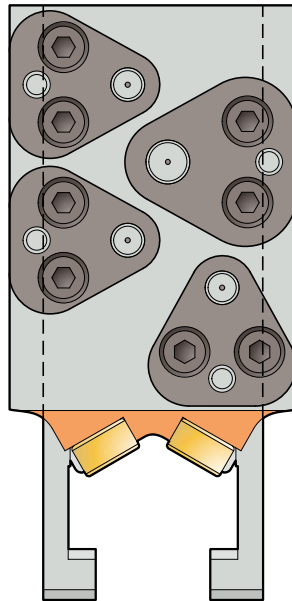
|   |   |              |            |
|---|---|--------------|------------|
| FIBRO Low-Volume Aerial Cam Units, Width 65mm | = | 2016.26.006. | □□.1000.00 |
| Slide angle $\varepsilon = 30^\circ$          | = |              | 30.        |
| Order number                                  | = | 2016.26.006. | 30.1000.00 |

## AERIAL CAM UNIT FCC-LV

# DOUBLE WIDTHS

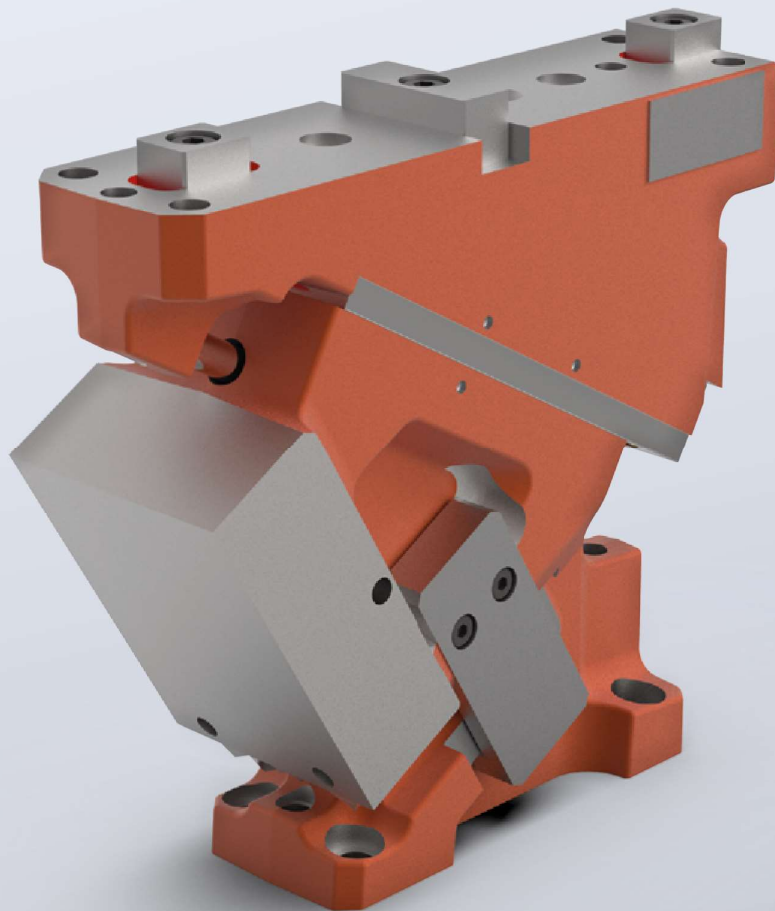
The width grading of the cam slide unit series 2016.15 + .26 is divided into 6x2 double widths, and thus available for each base width in a narrow design, as well as in a narrow design with a widened working surface. The narrow variants impress with their compact dimensions along the entire cam slide unit length, as well as high working forces on all segments of the cam slide unit working surface. With identical cam sliders, the widened designs offers more mounting space for low-force active components (e.g. punch retainers, scraper components) or for large active components with a homogeneous arrangement over the entire working surface.

The figure shows a version with a widened working area. Attached to this working surface are multiple punches with standard, polygon-shaped retainer plates. The force-free screw positions have been rotated into the outer area of the working surface. Multiple punches, through which the force vector is passed, are concentrated in the centre of the cam slide unit working surface.

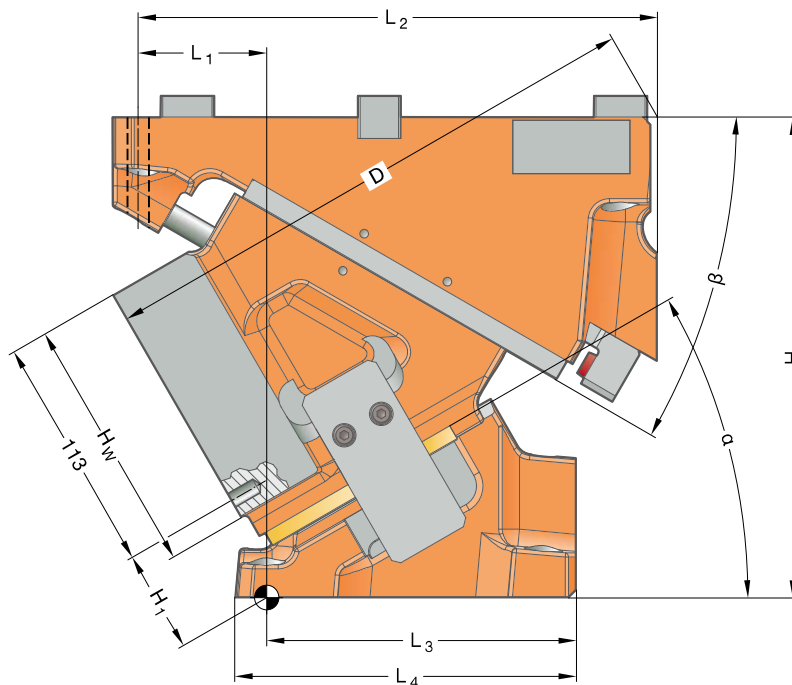
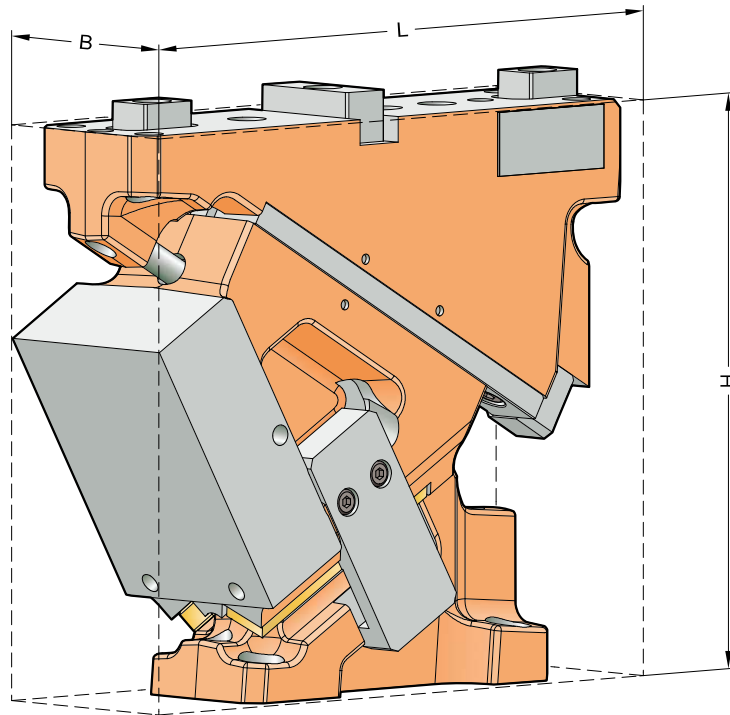


AERIAL CAM UNIT FCC-LV  
**2016.26.006./008.**

**Working width:** 65/85 mm  
**Performance class:** 120 kN

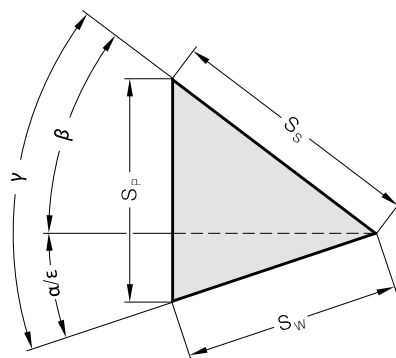


AERIAL CAM UNIT FCC-LV 2016.26.006./008.  
**SIZE TABLE**



# AERIAL CAM UNIT FCC-LV 2016.26.006./008.

## SIZE TABLE



| Order No               | L<br>[mm] | B<br>[mm] | H<br>[mm] | H <sub>1</sub><br>[mm] | H <sub>W</sub><br>[mm] | L <sub>1</sub><br>[mm] | L <sub>2</sub><br>[mm] | L <sub>3</sub><br>[mm] | L <sub>4</sub><br>[mm] | D<br>[mm] | α<br>[°] | β<br>[°] | S <sub>W</sub><br>[mm] | S <sub>S</sub><br>[mm] | S <sub>P</sub><br>[mm] |
|------------------------|-----------|-----------|-----------|------------------------|------------------------|------------------------|------------------------|------------------------|------------------------|-----------|----------|----------|------------------------|------------------------|------------------------|
| 2016.26.006.00.1000.00 | 242       | 65        | 225       | 65                     | 120                    | 11                     | 217                    | 178                    | 192                    | 227       | 0        | 50       | 32,1                   | 50                     | 38,3                   |
| 2016.26.008.00.1000.00 |           | 85        |           |                        |                        |                        |                        |                        |                        |           |          |          |                        |                        |                        |
| 2016.26.006.05.1000.00 | 235       | 65        | 225       | 59,6                   | 120                    | 1                      | 222                    | 178                    | 188                    | 235,85    | 5        | 45       | 35,5                   | 50                     | 38,4                   |
| 2016.26.008.05.1000.00 |           | 85        |           |                        |                        |                        |                        |                        |                        |           |          |          |                        |                        |                        |
| 2016.26.006.10.1000.00 | 241       | 65        | 225       | 53,06                  | 120                    | 8                      | 227                    | 188                    | 202                    | 247,85    | 10       | 40       | 38,9                   | 50                     | 38,9                   |
| 2016.26.008.10.1000.00 |           | 85        |           |                        |                        |                        |                        |                        |                        |           |          |          |                        |                        |                        |
| 2016.26.006.15.1000.00 | 250       | 65        | 225       | 46,59                  | 120                    | 21                     | 237                    | 188                    | 198                    | 257,92    | 15       | 35       | 42,4                   | 50                     | 39,7                   |
| 2016.26.008.15.1000.00 |           | 85        |           |                        |                        |                        |                        |                        |                        |           |          |          |                        |                        |                        |
| 2016.26.006.20.1000.00 | 245       | 65        | 225       | 48,03                  | 120                    | 32                     | 227                    | 158                    | 171                    | 254,79    | 20       | 40       | 40,8                   | 50                     | 46,1                   |
| 2016.26.008.20.1000.00 |           | 85        |           |                        |                        |                        |                        |                        |                        |           |          |          |                        |                        |                        |
| 2016.26.006.25.1000.00 | 252       | 65        | 225       | 43,23                  | 120                    | 45                     | 237                    | 158                    | 167                    | 261,99    | 25       | 35       | 45,2                   | 50                     | 47,8                   |
| 2016.26.008.25.1000.00 |           | 85        |           |                        |                        |                        |                        |                        |                        |           |          |          |                        |                        |                        |
| 2016.26.006.30.1000.00 | 256       | 65        | 225       | 43,94                  | 120                    | 61                     | 247                    | 148                    | 159                    | 262,39    | 30       | 30       | 45,0                   | 45                     | 45,0                   |
| 2016.26.008.30.1000.00 |           | 85        |           |                        |                        |                        |                        |                        |                        |           |          |          |                        |                        |                        |
| 2016.26.006.35.1000.00 | 262       | 65        | 225       | 43,25                  | 120                    | 73                     | 247                    | 148                    | 158                    | 259,3     | 35       | 25       | 49,8                   | 45                     | 47,6                   |
| 2016.26.008.35.1000.00 |           | 85        |           |                        |                        |                        |                        |                        |                        |           |          |          |                        |                        |                        |
| 2016.26.006.40.1000.00 | 264       | 65        | 225       | 107,02                 | 120                    | 176                    | 247                    | 35                     | 139                    | 266,87    | 40       | 30       | 50,9                   | 45                     | 55,2                   |
| 2016.26.008.40.1000.00 |           | 85        |           |                        |                        |                        |                        |                        |                        |           |          |          |                        |                        |                        |
| 2016.26.006.45.1000.00 | 262       | 65        | 225       | 114,25                 | 120                    | 189                    | 247                    | 35                     | 139                    | 260,94    | 45       | 25       | 57,7                   | 45                     | 59,8                   |
| 2016.26.008.45.1000.00 |           | 85        |           |                        |                        |                        |                        |                        |                        |           |          |          |                        |                        |                        |
| 2016.26.006.50.1000.00 | 249       | 65        | 225       | 117,6                  | 120                    | 196                    | 237                    | 35                     | 140                    | 248,23    | 50       | 20       | 48,2                   | 33                     | 48,2                   |
| 2016.26.008.50.1000.00 |           | 85        |           |                        |                        |                        |                        |                        |                        |           |          |          |                        |                        |                        |
| 2016.26.006.55.1000.00 | 259       | 65        | 225       | 119,89                 | 120                    | 207                    | 237                    | 35                     | 138                    | 245,07    | 55       | 15       | 55,6                   | 33                     | 54,1                   |
| 2016.26.008.55.1000.00 |           | 85        |           |                        |                        |                        |                        |                        |                        |           |          |          |                        |                        |                        |
| 2016.26.006.60.1000.00 | 246       | 65        | 225       | 99,33                  | 120                    | 192                    | 237                    | 35                     | 120                    | 231,59    | 60       | 20       | 54,5                   | 29                     | 57,1                   |
| 2016.26.008.60.1000.00 |           | 85        |           |                        |                        |                        |                        |                        |                        |           |          |          |                        |                        |                        |
| 2016.26.006.65.1000.00 | 254       | 65        | 225       | 99,48                  | 120                    | 202                    | 237                    | 35                     | 117                    | 226,56    | 65       | 15       | 66,3                   | 29                     | 67,6                   |
| 2016.26.008.65.1000.00 |           | 85        |           |                        |                        |                        |                        |                        |                        |           |          |          |                        |                        |                        |
| 2016.26.006.70.1000.00 | 264       | 65        | 225       | 95,74                  | 120                    | 214                    | 237                    | 35                     | 120                    | 208,24    | 70       | 10       | 63,3                   | 22                     | 63,3                   |
| 2016.26.008.70.1000.00 |           | 85        |           |                        |                        |                        |                        |                        |                        |           |          |          |                        |                        |                        |
| 2016.26.006.75.1000.00 | 278       | 65        | 225       | 91,36                  | 120                    | 226                    | 237                    | 35                     | 113                    | 201,18    | 75       | 5        | 69,3                   | 18                     | 68,5                   |
| 2016.26.008.75.1000.00 |           | 85        |           |                        |                        |                        |                        |                        |                        |           |          |          |                        |                        |                        |

### Fastening

Hexagon socket head cap screws DIN EN ISO 4762 / Strength class min. 8.8  
Dowel pins DIN EN ISO 8735

### Cam base:

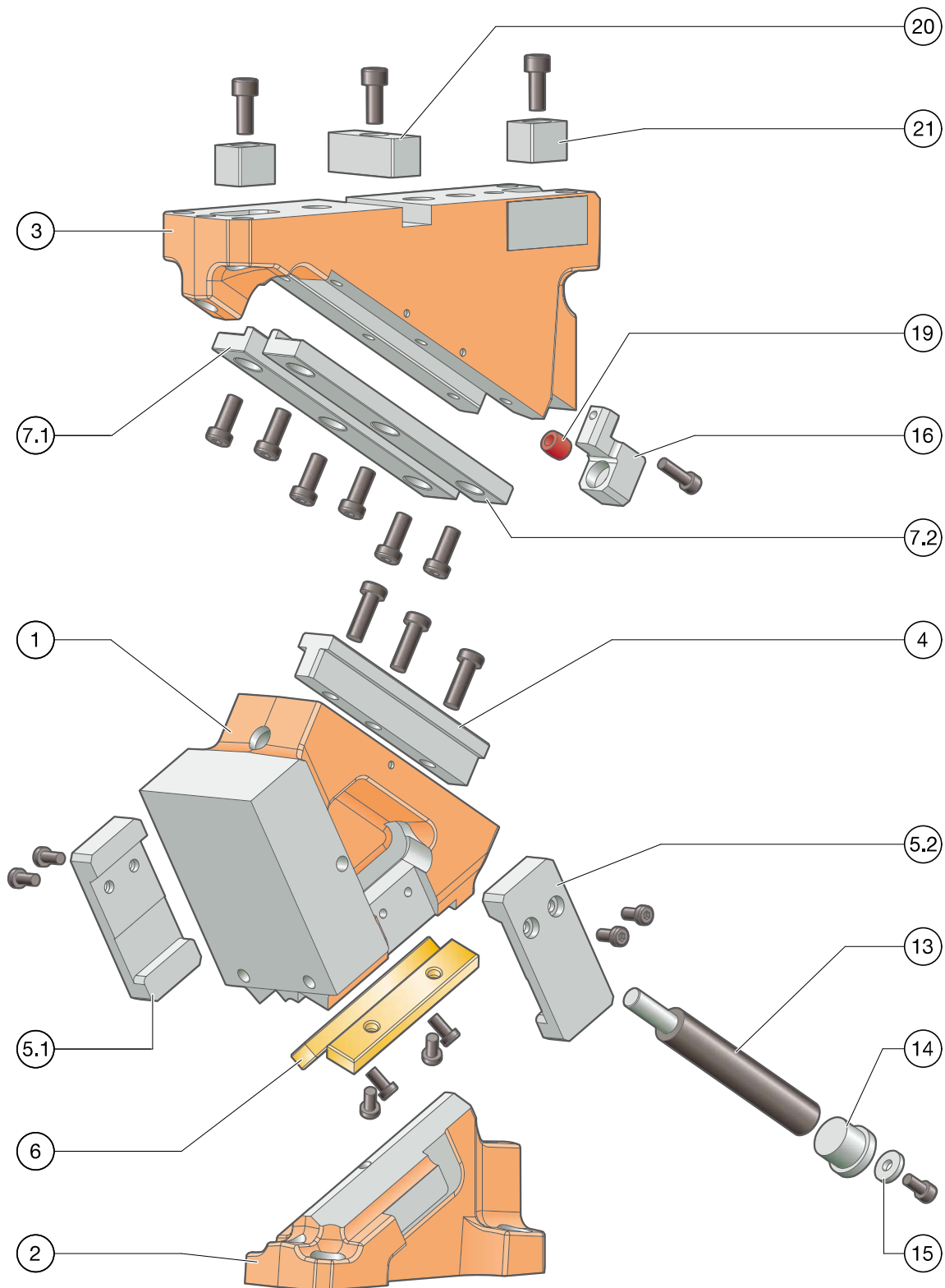
4 × M10  
2 × ø10

### Driver:

4 × M10  
2 × ø10

# AERIAL CAM UNIT FCC-LV 2016.26.006./008.

## EXPLODED VIEW



# AERIAL CAM UNIT FCC-LV 2016.26.006./008.

## PARTS LIST



| Item No.        | Pcs. | Designation                  | Material                    | tuned | Spare part |
|-----------------|------|------------------------------|-----------------------------|-------|------------|
| 1               | 1    | Cam slider                   | EN-JS-1060                  | --    | --         |
| 2               | 1    | Driver                       | EN-JS-1060                  | --    | --         |
| 3               | 1    | Cam base                     | EN-JS-1060                  | --    | --         |
| 4               | 1    | Centre guide                 | 1.2379                      | --    | x          |
| 5.1             | 1    | mechanical retraction, left  | 1.1191 with sinter layer    | x     | x          |
| 5.2             | 1    | mechanical retraction, right | 1.1191 with sinter layer    | x     | x          |
| 6               | 2    | Sliding plate                | Bronze with solid lubricant | --    | x          |
| 7.1             | 1    | L-guide, left                | 1.1191 with sinter layer    | x     | x          |
| 7.2             | 1    | L-guide, right               | 1.1191 with sinter layer    | x     | x          |
| 8               |      |                              |                             |       |            |
| 9               |      |                              |                             |       |            |
| 10              |      |                              |                             |       |            |
| 11              |      |                              |                             |       |            |
| 12              |      |                              |                             |       |            |
| 13              | 1    | Gas spring                   | 2487.12.00.170.□□□          | --    | x          |
| 14              | 1    | Locking tappet               | 1.7131                      | --    | x          |
| 15              | 1    | Locking tappet pin           |                             | --    | x          |
| 16              | 1    | Slide stop                   | 1.1191                      | --    | x          |
| 17 (not shown)  | 1    | Spacer                       |                             | --    | x          |
| 18 (not shown)  | 1    | Lockout system               | 1.1191                      | --    | x          |
| 19              | 1    | Damper                       | Elastomer                   | --    | x          |
| 20              | 1    | Feather key (T-nut)          | 1.1191                      | --    | x          |
| 21              | 2    | Feather key (T-nut)          | 1.1191                      | --    | x          |
| 22              |      |                              |                             |       |            |
| 23              |      |                              |                             |       |            |
| 24* (not shown) | 1    | Spacer                       | 1.1191                      | --    | x          |

\* not installed at all angles

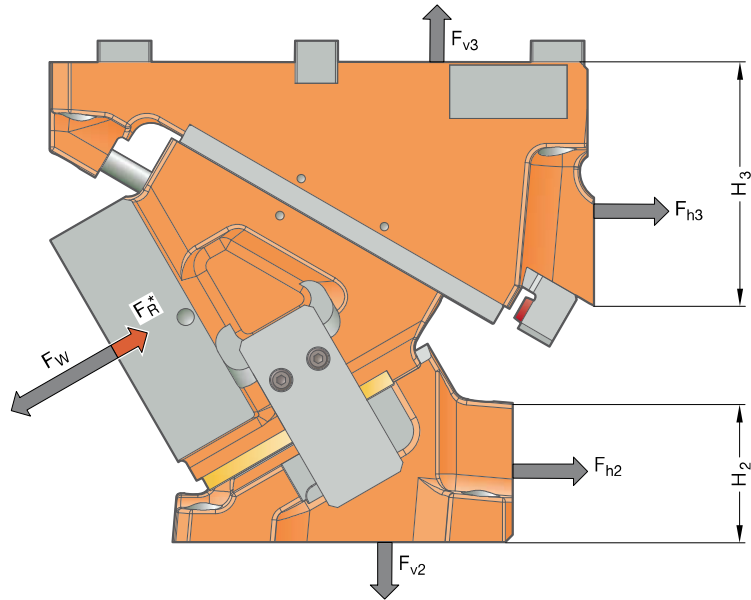
For inquiries or when ordering spare parts (x), we require the following data:

- Cam unit order no.
- Cam unit serial number
- Item No. / Designation / Spare part



# AERIAL CAM UNIT FCC-LV 2016.26.006./008.

## SYSTEM AND SURROUNDING FORCES



All force specifications in this catalogue of the Series 2016.26 are pre-assigned values that provide a higher safety factor.

| Order No               | $\alpha$<br>[°] | $F_w$<br>[kN] | $F_R^*$<br>[kN] | $F_{h2}$<br>[kN] | $F_{v2}$<br>[kN] | $F_{h3}$<br>[kN] | $F_{v3}$<br>[kN] | $H_2$<br>[mm] | $H_3$<br>[mm] |
|------------------------|-----------------|---------------|-----------------|------------------|------------------|------------------|------------------|---------------|---------------|
| 2016.26.00□.00.1000.00 | 0               | 120           | 12              | -9               | 124              | 129              | 124              | 33            | 155           |
| 2016.26.00□.05.1000.00 | 5               | 123           | 12              | 2                | 128              | 120              | 138              | 43            | 137           |
| 2016.26.00□.10.1000.00 | 10              | 126           | 12              | 14               | 130              | 110              | 152              | 42            | 125           |
| 2016.26.00□.15.1000.00 | 15              | 129           | 12              | 26               | 131              | 99               | 165              | 52            | 115           |
| 2016.26.00□.20.1000.00 | 20              | 128           | 12              | 25               | 87               | 95               | 131              | 49            | 125           |
| 2016.26.00□.25.1000.00 | 25              | 126           | 12              | 32               | 83               | 82               | 137              | 59            | 115           |
| 2016.26.00□.30.1000.00 | 30              | 125           | 12              | 39               | 80               | 69               | 142              | 65            | 95            |
| 2016.26.00□.35.1000.00 | 35              | 124           | 12              | 45               | 75               | 56               | 147              | 77            | 80            |
| 2016.26.00□.40.1000.00 | 40              | 123           | 12              | 33               | 46               | 61               | 125              | 69            | 95            |
| 2016.26.00□.45.1000.00 | 45              | 122           | 12              | 37               | 42               | 49               | 129              | 82            | 80            |
| 2016.26.00□.50.1000.00 | 50              | 123           | 12              | 41               | 39               | 38               | 134              | 88            | 60            |
| 2016.26.00□.55.1000.00 | 55              | 125           | 12              | 45               | 36               | 27               | 139              | 97            | 50            |
| 2016.26.00□.60.1000.00 | 60              | 127           | 12              | 27               | 18               | 37               | 128              | 104           | 60            |
| 2016.26.00□.65.1000.00 | 65              | 127           | 12              | 28               | 16               | 25               | 131              | 112           | 50            |
| 2016.26.00□.70.1000.00 | 70              | 128           | 12              | 30               | 13               | 14               | 134              | 98            | 33            |
| 2016.26.00□.75.1000.00 | 75              | 129           | 12              | 31               | 11               | 2                | 135              | 107           | 25            |

\* Retraction force values correspond to the spring-generated retraction force at the working point

The forces  $F_{h2}$ ,  $F_{v2}$  as well as  $F_{h3}$ ,  $F_{v3}$  act on the tool environment at maximum working force  $F_w$ .

# AERIAL CAM UNIT FCC-LV 2016.26.006./008.

## FORCE DIAGRAM



Support via cast shoulder

|                  |    | Width 85 mm |      |    |      |    |    |
|------------------|----|-------------|------|----|------|----|----|
|                  |    | 10          | 22,5 | 20 | 22,5 | 10 |    |
| Height<br>120 mm | 0° | 24          | 34   | 43 | 64   | 43 | 34 |
|                  |    | 24          | 38   | 54 | 82   | 54 | 38 |
|                  |    | 24          | 40   | 67 | 110  | 67 | 40 |
|                  |    | 24          | 40   | 68 | 120  | 68 | 40 |
|                  |    | 24          | 32   | 55 | 91   | 55 | 32 |

Support via feather key

|                  |    | Width 85 mm |      |    |      |    |    |
|------------------|----|-------------|------|----|------|----|----|
|                  |    | 10          | 22,5 | 20 | 22,5 | 10 |    |
| Height<br>120 mm | 0° | 24          | 31   | 32 | 33   | 32 | 31 |
|                  |    | 24          | 34   | 34 | 36   | 34 | 34 |
|                  |    | 24          | 33   | 33 | 33   | 33 | 33 |
|                  |    | 24          | 31   | 31 | 32   | 31 | 31 |
|                  |    | 24          | 30   | 30 | 31   | 30 | 30 |

Support via cast shoulder

|                  |    | Width 85 mm |      |    |      |    |    |
|------------------|----|-------------|------|----|------|----|----|
|                  |    | 10          | 22,5 | 20 | 22,5 | 10 |    |
| Height<br>120 mm | 5° | 24          | 34   | 42 | 64   | 42 | 34 |
|                  |    | 24          | 39   | 54 | 81   | 54 | 39 |
|                  |    | 24          | 41   | 67 | 110  | 67 | 41 |
|                  |    | 24          | 41   | 68 | 123  | 68 | 41 |
|                  |    | 24          | 33   | 55 | 91   | 55 | 33 |

Support via feather key

|                  |    | Width 85 mm |      |    |      |    |    |
|------------------|----|-------------|------|----|------|----|----|
|                  |    | 10          | 22,5 | 20 | 22,5 | 10 |    |
| Height<br>120 mm | 5° | 24          | 34   | 40 | 42   | 40 | 34 |
|                  |    | 24          | 39   | 45 | 46   | 45 | 39 |
|                  |    | 24          | 41   | 43 | 44   | 43 | 41 |
|                  |    | 24          | 41   | 41 | 42   | 41 | 41 |
|                  |    | 24          | 33   | 40 | 41   | 40 | 33 |

Support via cast shoulder

|                  |     | Width 85 mm |      |    |      |    |    |
|------------------|-----|-------------|------|----|------|----|----|
|                  |     | 10          | 22,5 | 20 | 22,5 | 10 |    |
| Height<br>120 mm | 10° | 24          | 34   | 42 | 63   | 42 | 34 |
|                  |     | 24          | 40   | 54 | 81   | 54 | 40 |
|                  |     | 24          | 41   | 68 | 110  | 68 | 41 |
|                  |     | 24          | 41   | 67 | 126  | 67 | 41 |
|                  |     | 24          | 34   | 55 | 92   | 55 | 34 |

Support via feather key

|                  |     | Width 85 mm |      |    |      |    |    |
|------------------|-----|-------------|------|----|------|----|----|
|                  |     | 10          | 22,5 | 20 | 22,5 | 10 |    |
| Height<br>120 mm | 10° | 24          | 34   | 42 | 51   | 42 | 34 |
|                  |     | 24          | 40   | 54 | 56   | 54 | 40 |
|                  |     | 24          | 41   | 54 | 55   | 54 | 41 |
|                  |     | 24          | 41   | 51 | 52   | 51 | 41 |
|                  |     | 24          | 34   | 50 | 51   | 50 | 34 |

Support via cast shoulder

|                  |     | Width 85 mm |      |    |      |    |    |
|------------------|-----|-------------|------|----|------|----|----|
|                  |     | 10          | 22,5 | 20 | 22,5 | 10 |    |
| Height<br>120 mm | 15° | 24          | 34   | 42 | 63   | 42 | 34 |
|                  |     | 24          | 40   | 54 | 81   | 54 | 40 |
|                  |     | 24          | 42   | 69 | 110  | 69 | 42 |
|                  |     | 24          | 41   | 67 | 129  | 67 | 41 |
|                  |     | 24          | 34   | 55 | 92   | 55 | 34 |

Support via feather key

|                  |     | Width 85 mm |      |    |      |    |    |
|------------------|-----|-------------|------|----|------|----|----|
|                  |     | 10          | 22,5 | 20 | 22,5 | 10 |    |
| Height<br>120 mm | 15° | 24          | 34   | 42 | 60   | 42 | 34 |
|                  |     | 24          | 40   | 54 | 67   | 54 | 40 |
|                  |     | 24          | 42   | 64 | 66   | 64 | 42 |
|                  |     | 24          | 41   | 61 | 63   | 61 | 41 |
|                  |     | 24          | 34   | 55 | 60   | 55 | 34 |

Support via cast shoulder

|                  |     | Width 85 mm |      |    |      |    |    |
|------------------|-----|-------------|------|----|------|----|----|
|                  |     | 10          | 22,5 | 20 | 22,5 | 10 |    |
| Height<br>120 mm | 20° | 24          | 32   | 40 | 62   | 40 | 32 |
|                  |     | 24          | 38   | 53 | 81   | 53 | 38 |
|                  |     | 24          | 40   | 68 | 111  | 68 | 40 |
|                  |     | 24          | 40   | 66 | 128  | 66 | 40 |
|                  |     | 24          | 34   | 55 | 91   | 55 | 34 |

Support via feather key

|                  |     | Width 85 mm |      |    |      |    |    |
|------------------|-----|-------------|------|----|------|----|----|
|                  |     | 10          | 22,5 | 20 | 22,5 | 10 |    |
| Height<br>120 mm | 20° | 24          | 32   | 40 | 62   | 40 | 32 |
|                  |     | 24          | 38   | 53 | 71   | 53 | 38 |
|                  |     | 24          | 40   | 68 | 70   | 68 | 40 |
|                  |     | 24          | 40   | 65 | 67   | 65 | 40 |
|                  |     | 24          | 34   | 55 | 64   | 55 | 34 |

Support via cast shoulder

|                  |     | Width 85 mm |      |    |      |    |    |
|------------------|-----|-------------|------|----|------|----|----|
|                  |     | 10          | 22,5 | 20 | 22,5 | 10 |    |
| Height<br>120 mm | 25° | 24          | 30   | 38 | 61   | 38 | 30 |
|                  |     | 24          | 36   | 52 | 81   | 52 | 36 |
|                  |     | 24          | 38   | 67 | 113  | 67 | 38 |
|                  |     | 24          | 39   | 66 | 126  | 66 | 39 |
|                  |     | 24          | 34   | 54 | 90   | 54 | 34 |

Support via feather key

|                  |     | Width 85 mm |      |    |      |    |    |
|------------------|-----|-------------|------|----|------|----|----|
|                  |     | 10          | 22,5 | 20 | 22,5 | 10 |    |
| Height<br>120 mm | 25° | 24          | 30   | 38 | 61   | 38 | 30 |
|                  |     | 24          | 36   | 52 | 75   | 52 | 36 |
|                  |     | 24          | 38   | 67 | 74   | 67 | 38 |
|                  |     | 24          | 39   | 66 | 71   | 66 | 39 |
|                  |     | 24          | 34   | 54 | 68   | 54 | 34 |

# AERIAL CAM UNIT FCC-LV 2016.26.006./008.

## FORCE DIAGRAM

Support via cast shoulder

|                  |     | Width 85 mm |      |     |      |    |    |
|------------------|-----|-------------|------|-----|------|----|----|
|                  |     | 10          | 22,5 | 20  | 22,5 | 10 |    |
| Height<br>120 mm | 30° | 24          | 32   | 42  | 60   | 42 | 32 |
|                  | 24  | 39          | 58   | 82  | 58   | 39 |    |
|                  | 24  | 42          | 76   | 115 | 76   | 42 |    |
|                  | 24  | 43          | 75   | 125 | 75   | 43 |    |
|                  | 24  | 39          | 61   | 89  | 61   | 39 |    |

Support via feather key

|                  |     | Width 85 mm |      |    |      |    |    |
|------------------|-----|-------------|------|----|------|----|----|
|                  |     | 10          | 22,5 | 20 | 22,5 | 10 |    |
| Height<br>120 mm | 30° | 24          | 32   | 42 | 60   | 42 | 32 |
|                  | 24  | 39          | 58   | 80 | 58   | 39 |    |
|                  | 24  | 42          | 75   | 78 | 75   | 42 |    |
|                  | 24  | 43          | 73   | 75 | 73   | 43 |    |
|                  | 24  | 39          | 61   | 72 | 61   | 39 |    |

35°

|                  |    | Width 85 mm |      |     |      |    |
|------------------|----|-------------|------|-----|------|----|
|                  |    | 10          | 22,5 | 20  | 22,5 | 10 |
| Height<br>120 mm | 24 | 32          | 43   | 59  | 43   | 32 |
|                  | 24 | 40          | 61   | 82  | 61   | 40 |
|                  | 24 | 43          | 80   | 117 | 80   | 43 |
|                  | 24 | 44          | 80   | 124 | 80   | 44 |
|                  | 24 | 40          | 64   | 87  | 64   | 40 |

35°

|                  |    | Width 85 mm |      |    |      |    |
|------------------|----|-------------|------|----|------|----|
|                  |    | 10          | 22,5 | 20 | 22,5 | 10 |
| Height<br>120 mm | 24 | 32          | 43   | 59 | 43   | 32 |
|                  | 24 | 40          | 61   | 82 | 61   | 40 |
|                  | 24 | 43          | 80   | 85 | 80   | 43 |
|                  | 24 | 44          | 79   | 83 | 79   | 44 |
|                  | 24 | 40          | 64   | 79 | 64   | 40 |

40°

|                  |    | Width 85 mm |      |     |      |    |
|------------------|----|-------------|------|-----|------|----|
|                  |    | 10          | 22,5 | 20  | 22,5 | 10 |
| Height<br>120 mm | 24 | 32          | 44   | 58  | 44   | 32 |
|                  | 24 | 39          | 63   | 82  | 63   | 39 |
|                  | 24 | 43          | 84   | 119 | 84   | 43 |
|                  | 24 | 46          | 84   | 123 | 84   | 46 |
|                  | 24 | 41          | 68   | 86  | 68   | 41 |

40°

|                  |    | Width 85 mm |      |    |      |    |
|------------------|----|-------------|------|----|------|----|
|                  |    | 10          | 22,5 | 20 | 22,5 | 10 |
| Height<br>120 mm | 20 | 32          | 44   | 58 | 44   | 32 |
|                  | 20 | 39          | 63   | 82 | 63   | 39 |
|                  | 20 | 43          | 84   | 93 | 84   | 43 |
|                  | 20 | 46          | 84   | 92 | 84   | 46 |
|                  | 20 | 41          | 68   | 86 | 68   | 41 |

45°

|                  |    | Width 85 mm |      |     |      |    |
|------------------|----|-------------|------|-----|------|----|
|                  |    | 10          | 22,5 | 20  | 22,5 | 10 |
| Height<br>120 mm | 24 | 32          | 45   | 57  | 45   | 32 |
|                  | 24 | 39          | 66   | 83  | 66   | 39 |
|                  | 24 | 44          | 88   | 121 | 88   | 44 |
|                  | 24 | 46          | 89   | 122 | 89   | 46 |
|                  | 24 | 42          | 71   | 85  | 71   | 42 |

45°

|                  |    | Width 85 mm |      |     |      |    |
|------------------|----|-------------|------|-----|------|----|
|                  |    | 10          | 22,5 | 20  | 22,5 | 10 |
| Height<br>120 mm | 24 | 32          | 45   | 57  | 45   | 32 |
|                  | 24 | 39          | 65   | 83  | 65   | 39 |
|                  | 24 | 44          | 88   | 100 | 88   | 44 |
|                  | 24 | 46          | 89   | 101 | 89   | 46 |
|                  | 24 | 42          | 71   | 85  | 71   | 42 |

50°

|                  |    | Width 85 mm |      |     |      |    |
|------------------|----|-------------|------|-----|------|----|
|                  |    | 10          | 22,5 | 20  | 22,5 | 10 |
| Height<br>120 mm | 24 | 30          | 45   | 56  | 45   | 30 |
|                  | 24 | 38          | 68   | 83  | 68   | 38 |
|                  | 24 | 44          | 92   | 123 | 92   | 44 |
|                  | 24 | 47          | 92   | 120 | 92   | 47 |
|                  | 24 | 42          | 74   | 84  | 74   | 42 |

50°

|                  |    | Width 85 mm |      |     |      |    |
|------------------|----|-------------|------|-----|------|----|
|                  |    | 10          | 22,5 | 20  | 22,5 | 10 |
| Height<br>120 mm | 24 | 30          | 43   | 56  | 43   | 30 |
|                  | 24 | 37          | 61   | 83  | 61   | 37 |
|                  | 24 | 44          | 92   | 116 | 92   | 44 |
|                  | 24 | 47          | 92   | 115 | 92   | 47 |
|                  | 24 | 42          | 74   | 84  | 74   | 42 |

55°

|                  |    | Width 85 mm |      |     |      |    |
|------------------|----|-------------|------|-----|------|----|
|                  |    | 10          | 22,5 | 20  | 22,5 | 10 |
| Height<br>120 mm | 24 | 30          | 43   | 55  | 43   | 30 |
|                  | 24 | 35          | 66   | 83  | 66   | 35 |
|                  | 24 | 41          | 90   | 125 | 90   | 41 |
|                  | 24 | 45          | 93   | 119 | 93   | 45 |
|                  | 24 | 39          | 73   | 82  | 73   | 39 |

55°

|                  |    | Width 85 mm |      |     |      |    |
|------------------|----|-------------|------|-----|------|----|
|                  |    | 10          | 22,5 | 20  | 22,5 | 10 |
| Height<br>120 mm | 24 | 26          | 39   | 55  | 39   | 26 |
|                  | 24 | 33          | 57   | 83  | 57   | 33 |
|                  | 24 | 36          | 90   | 120 | 90   | 36 |
|                  | 24 | 42          | 93   | 119 | 93   | 42 |
|                  | 24 | 34          | 73   | 82  | 73   | 34 |

# AERIAL CAM UNIT FCC-LV 2016.26.006./008.

## FORCE DIAGRAM



Support via cast shoulder

|                  |     | Width 85 mm |      |    |      |    |    |
|------------------|-----|-------------|------|----|------|----|----|
|                  |     | 10          | 22,5 | 20 | 22,5 | 10 |    |
| Height<br>120 mm | 60° | 24          | 28   | 40 | 54   | 40 | 28 |
|                  |     | 24          | 32   | 65 | 84   | 65 | 32 |
|                  |     | 24          | 39   | 89 | 127  | 89 | 39 |
|                  |     | 24          | 43   | 92 | 118  | 92 | 43 |
|                  |     | 24          | 36   | 72 | 81   | 72 | 36 |
|                  |     | 24          | 36   | 72 | 81   | 72 | 36 |

Support via feather key

|                  |     | Width 85 mm |      |    |      |    |    |
|------------------|-----|-------------|------|----|------|----|----|
|                  |     | 10          | 22,5 | 20 | 22,5 | 10 |    |
| Height<br>120 mm | 60° | 24          | 22   | 34 | 54   | 34 | 22 |
|                  |     | 24          | 29   | 53 | 84   | 53 | 29 |
|                  |     | 24          | 28   | 89 | 120  | 89 | 28 |
|                  |     | 24          | 36   | 92 | 118  | 92 | 36 |
|                  |     | 24          | 27   | 72 | 81   | 72 | 27 |
|                  |     | 24          | 27   | 72 | 81   | 72 | 27 |

65°

|                  |     | Width 85 mm |      |    |      |    |    |
|------------------|-----|-------------|------|----|------|----|----|
|                  |     | 10          | 22,5 | 20 | 22,5 | 10 |    |
| Height<br>120 mm | 65° | 24          | 26   | 40 | 54   | 40 | 26 |
|                  |     | 24          | 33   | 65 | 84   | 65 | 33 |
|                  |     | 24          | 39   | 89 | 127  | 89 | 39 |
|                  |     | 24          | 44   | 93 | 119  | 93 | 44 |
|                  |     | 24          | 36   | 72 | 80   | 72 | 36 |
|                  |     | 24          | 36   | 72 | 80   | 72 | 36 |

65°

|                  |     | Width 85 mm |      |    |      |    |    |
|------------------|-----|-------------|------|----|------|----|----|
|                  |     | 10          | 22,5 | 20 | 22,5 | 10 |    |
| Height<br>120 mm | 65° | 24          | 22   | 34 | 54   | 34 | 22 |
|                  |     | 24          | 29   | 54 | 84   | 54 | 29 |
|                  |     | 24          | 28   | 89 | 120  | 89 | 28 |
|                  |     | 24          | 37   | 93 | 119  | 93 | 37 |
|                  |     | 24          | 28   | 72 | 80   | 72 | 28 |
|                  |     | 24          | 28   | 72 | 80   | 72 | 28 |

70°

|                  |     | Width 85 mm |      |    |      |    |    |
|------------------|-----|-------------|------|----|------|----|----|
|                  |     | 10          | 22,5 | 20 | 22,5 | 10 |    |
| Height<br>120 mm | 70° | 24          | 26   | 40 | 55   | 40 | 26 |
|                  |     | 24          | 33   | 65 | 84   | 65 | 33 |
|                  |     | 24          | 39   | 90 | 128  | 90 | 39 |
|                  |     | 24          | 44   | 94 | 120  | 94 | 44 |
|                  |     | 24          | 37   | 72 | 79   | 72 | 37 |
|                  |     | 24          | 37   | 72 | 79   | 72 | 37 |

70°

|                  |     | Width 85 mm |      |    |      |    |    |
|------------------|-----|-------------|------|----|------|----|----|
|                  |     | 10          | 22,5 | 20 | 22,5 | 10 |    |
| Height<br>120 mm | 70° | 24          | 23   | 34 | 55   | 34 | 23 |
|                  |     | 24          | 29   | 54 | 84   | 54 | 29 |
|                  |     | 24          | 29   | 90 | 120  | 90 | 29 |
|                  |     | 24          | 38   | 94 | 120  | 94 | 38 |
|                  |     | 24          | 29   | 72 | 79   | 72 | 29 |
|                  |     | 24          | 29   | 72 | 79   | 72 | 29 |

75°

|                  |     | Width 85 mm |      |    |      |    |    |
|------------------|-----|-------------|------|----|------|----|----|
|                  |     | 10          | 22,5 | 20 | 22,5 | 10 |    |
| Height<br>120 mm | 75° | 24          | 26   | 40 | 55   | 40 | 26 |
|                  |     | 24          | 33   | 65 | 84   | 65 | 33 |
|                  |     | 24          | 39   | 90 | 129  | 90 | 39 |
|                  |     | 24          | 44   | 95 | 121  | 95 | 44 |
|                  |     | 24          | 38   | 72 | 78   | 72 | 38 |
|                  |     | 24          | 38   | 72 | 78   | 72 | 38 |

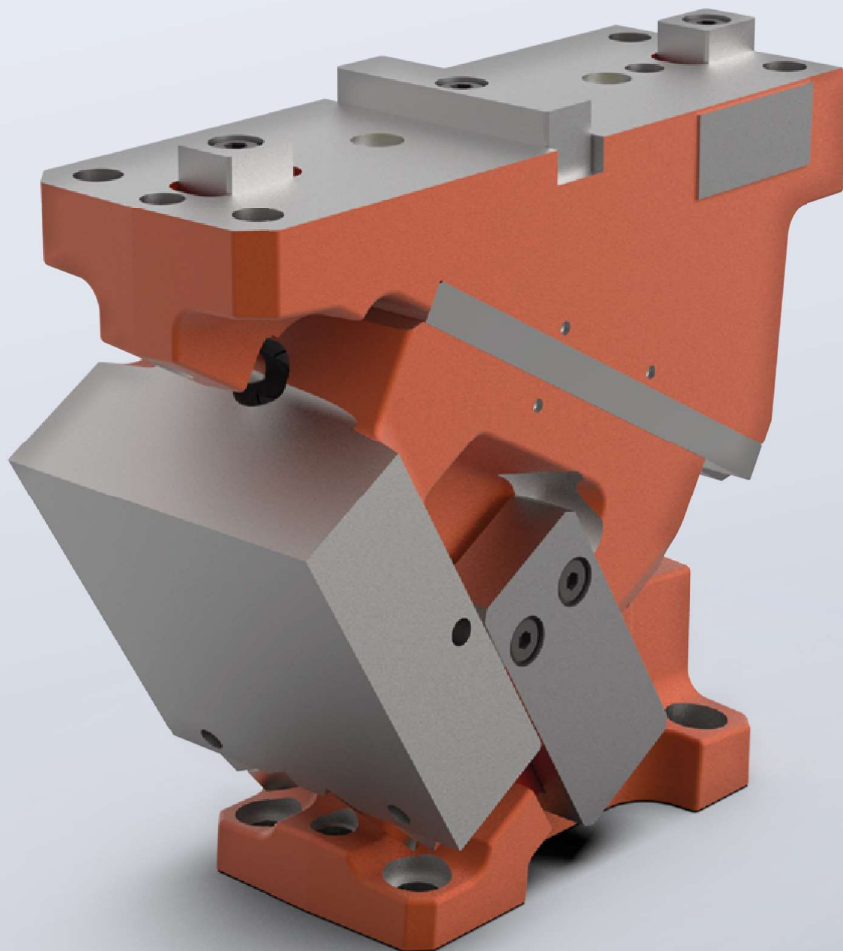
75°

|                  |     | Width 85 mm |      |    |      |    |    |
|------------------|-----|-------------|------|----|------|----|----|
|                  |     | 10          | 22,5 | 20 | 22,5 | 10 |    |
| Height<br>120 mm | 75° | 24          | 23   | 34 | 55   | 34 | 23 |
|                  |     | 24          | 29   | 54 | 84   | 54 | 29 |
|                  |     | 24          | 29   | 90 | 120  | 90 | 29 |
|                  |     | 24          | 39   | 95 | 120  | 95 | 39 |
|                  |     | 24          | 29   | 72 | 78   | 72 | 29 |
|                  |     | 24          | 29   | 72 | 78   | 72 | 29 |

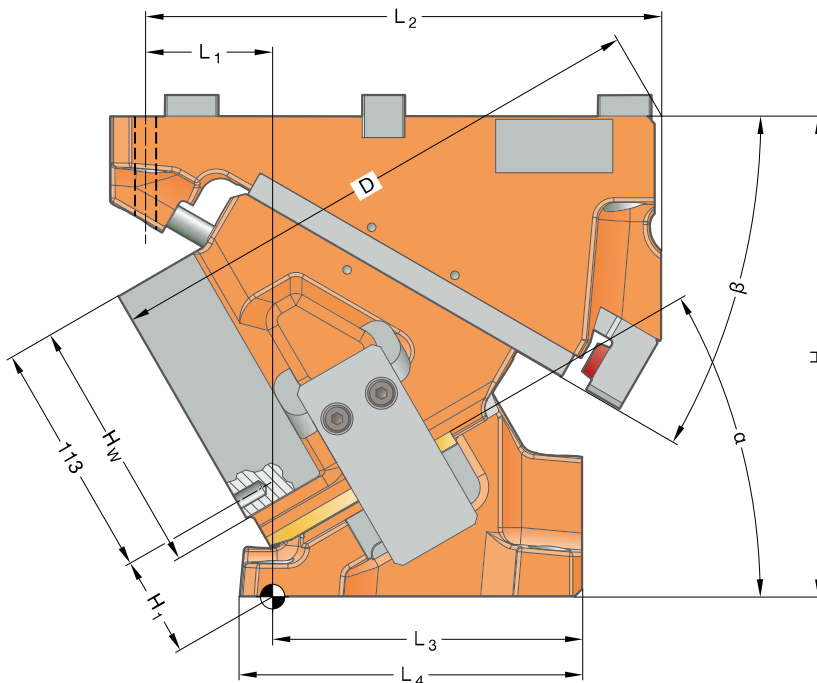
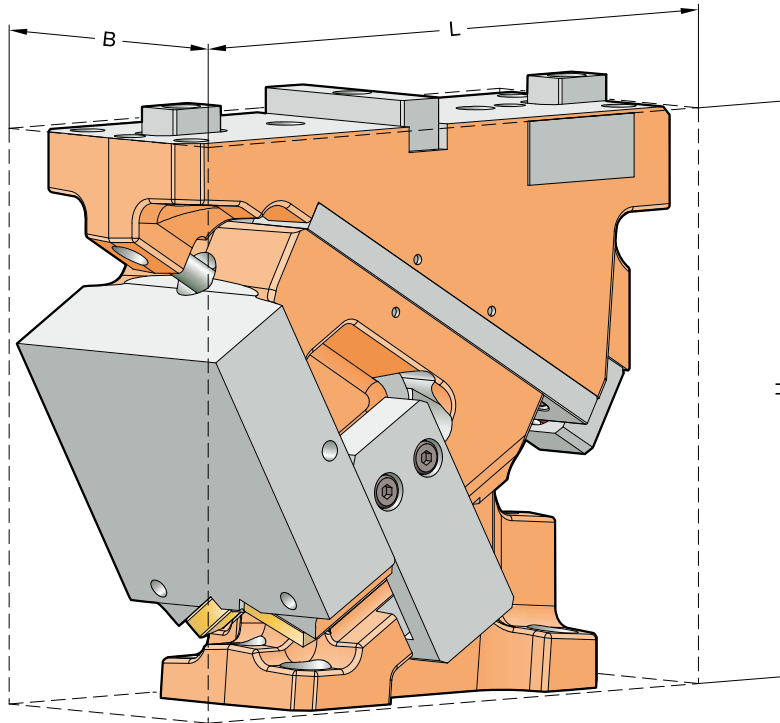


AERIAL CAM UNIT FCC-LV  
**2016.26.009./011.**

**Working width:** 90/115 mm  
**Performance class:** 200 kN

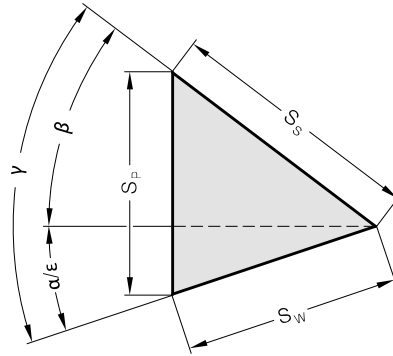


AERIAL CAM UNIT FCC-LV 2016.26.009./011.  
**SIZE TABLE**



# AERIAL CAM UNIT FCC-LV 2016.26.009./011.

## SIZE TABLE



| Order No               | L<br>[mm] | B<br>[mm] | H<br>[mm] | H <sub>1</sub><br>[mm] | H <sub>W</sub><br>[mm] | L <sub>1</sub><br>[mm] | L <sub>2</sub><br>[mm] | L <sub>3</sub><br>[mm] | L <sub>4</sub><br>[mm] | D<br>[mm] | α<br>[°] | β<br>[°] | S <sub>W</sub><br>[mm] | S <sub>S</sub><br>[mm] | S <sub>P</sub><br>[mm] |
|------------------------|-----------|-----------|-----------|------------------------|------------------------|------------------------|------------------------|------------------------|------------------------|-----------|----------|----------|------------------------|------------------------|------------------------|
| 2016.26.009.00.1000.00 |           | 90        |           |                        |                        |                        |                        |                        |                        |           |          |          |                        |                        |                        |
| 2016.26.011.00.1000.00 | 254       | 115       | 225       | 65                     | 120                    | 18                     | 222                    | 188                    | 202                    | 240       | 0        | 50       | 32,1                   | 50                     | 38,3                   |
| 2016.26.009.05.1000.00 |           | 90        |           |                        |                        |                        |                        |                        |                        |           |          |          |                        |                        |                        |
| 2016.26.011.05.1000.00 | 248       | 115       | 225       | 58,82                  | 120                    | 3                      | 232                    | 188                    | 199                    | 251,83    | 5        | 45       | 35,5                   | 50                     | 38,4                   |
| 2016.26.009.10.1000.00 |           | 90        |           |                        |                        |                        |                        |                        |                        |           |          |          |                        |                        |                        |
| 2016.26.011.10.1000.00 | 257       | 115       | 225       | 53,18                  | 120                    | 3                      | 232                    | 188                    | 202                    | 263,6     | 10       | 40       | 38,9                   | 50                     | 38,9                   |
| 2016.26.009.15.1000.00 |           | 90        |           |                        |                        |                        |                        |                        |                        |           |          |          |                        |                        |                        |
| 2016.26.011.15.1000.00 | 262       | 115       | 225       | 48,45                  | 120                    | 14                     | 237                    | 188                    | 199                    | 271,04    | 15       | 35       | 42,4                   | 50                     | 39,7                   |
| 2016.26.009.20.1000.00 |           | 90        |           |                        |                        |                        |                        |                        |                        |           |          |          |                        |                        |                        |
| 2016.26.011.20.1000.00 | 250       | 115       | 225       | 47,97                  | 120                    | 32                     | 232                    | 158                    | 171                    | 259,15    | 20       | 40       | 40,8                   | 50                     | 46,1                   |
| 2016.26.009.25.1000.00 |           | 90        |           |                        |                        |                        |                        |                        |                        |           |          |          |                        |                        |                        |
| 2016.26.011.25.1000.00 | 254       | 115       | 225       | 45,79                  | 120                    | 44                     | 237                    | 158                    | 169                    | 263,44    | 25       | 35       | 45,2                   | 50                     | 47,8                   |
| 2016.26.009.30.1000.00 |           | 90        |           |                        |                        |                        |                        |                        |                        |           |          |          |                        |                        |                        |
| 2016.26.011.30.1000.00 | 258       | 115       | 225       | 43,44                  | 120                    | 62                     | 247                    | 148                    | 161                    | 262,39    | 30       | 30       | 45,0                   | 45                     | 45,0                   |
| 2016.26.009.35.1000.00 |           | 90        |           |                        |                        |                        |                        |                        |                        |           |          |          |                        |                        |                        |
| 2016.26.011.35.1000.00 | 265       | 115       | 225       | 42,82                  | 120                    | 74                     | 247                    | 148                    | 159                    | 259,3     | 35       | 25       | 49,8                   | 45                     | 47,6                   |
| 2016.26.009.40.1000.00 |           | 90        |           |                        |                        |                        |                        |                        |                        |           |          |          |                        |                        |                        |
| 2016.26.011.40.1000.00 | 268       | 115       | 225       | 107,66                 | 120                    | 177                    | 247                    | 35                     | 140                    | 270,87    | 40       | 30       | 50,9                   | 45                     | 55,2                   |
| 2016.26.009.45.1000.00 |           | 90        |           |                        |                        |                        |                        |                        |                        |           |          |          |                        |                        |                        |
| 2016.26.011.45.1000.00 | 265       | 115       | 225       | 114,25                 | 120                    | 189                    | 247                    | 35                     | 139                    | 264,94    | 45       | 25       | 57,7                   | 45                     | 59,8                   |
| 2016.26.009.50.1000.00 |           | 90        |           |                        |                        |                        |                        |                        |                        |           |          |          |                        |                        |                        |
| 2016.26.011.50.1000.00 | 252       | 115       | 225       | 118,24                 | 120                    | 196                    | 237                    | 35                     | 141                    | 251,47    | 50       | 20       | 48,2                   | 33                     | 48,2                   |
| 2016.26.009.55.1000.00 |           | 90        |           |                        |                        |                        |                        |                        |                        |           |          |          |                        |                        |                        |
| 2016.26.011.55.1000.00 | 260       | 115       | 225       | 120,46                 | 120                    | 207                    | 237                    | 35                     | 139                    | 248,25    | 55       | 15       | 55,6                   | 33                     | 54,1                   |
| 2016.26.009.60.1000.00 |           | 90        |           |                        |                        |                        |                        |                        |                        |           |          |          |                        |                        |                        |
| 2016.26.011.60.1000.00 | 248       | 115       | 225       | 100,03                 | 120                    | 198                    | 237                    | 35                     | 122                    | 230,73    | 60       | 20       | 54,5                   | 29                     | 57,1                   |
| 2016.26.009.65.1000.00 |           | 90        |           |                        |                        |                        |                        |                        |                        |           |          |          |                        |                        |                        |
| 2016.26.011.65.1000.00 | 257       | 115       | 225       | 96,71                  | 120                    | 204                    | 237                    | 35                     | 115                    | 225,65    | 65       | 15       | 66,3                   | 29                     | 67,6                   |
| 2016.26.009.70.1000.00 |           | 90        |           |                        |                        |                        |                        |                        |                        |           |          |          |                        |                        |                        |
| 2016.26.011.70.1000.00 | 267       | 115       | 225       | 90,91                  | 120                    | 216                    | 237                    | 35                     | 116                    | 212,94    | 70       | 10       | 63,3                   | 22                     | 63,3                   |
| 2016.26.009.75.1000.00 |           | 90        |           |                        |                        |                        |                        |                        |                        |           |          |          |                        |                        |                        |
| 2016.26.011.75.1000.00 | 281       | 115       | 225       | 87                     | 120                    | 228                    | 237                    | 35                     | 110                    | 206,01    | 75       | 5        | 69,3                   | 18                     | 68,5                   |

### Fastening

Hexagon socket head cap screws DIN EN ISO 4762 / Strength class min. 8.8  
Dowel pins DIN EN ISO 8735

### Cam base:

4 × M12  
2 × ø12

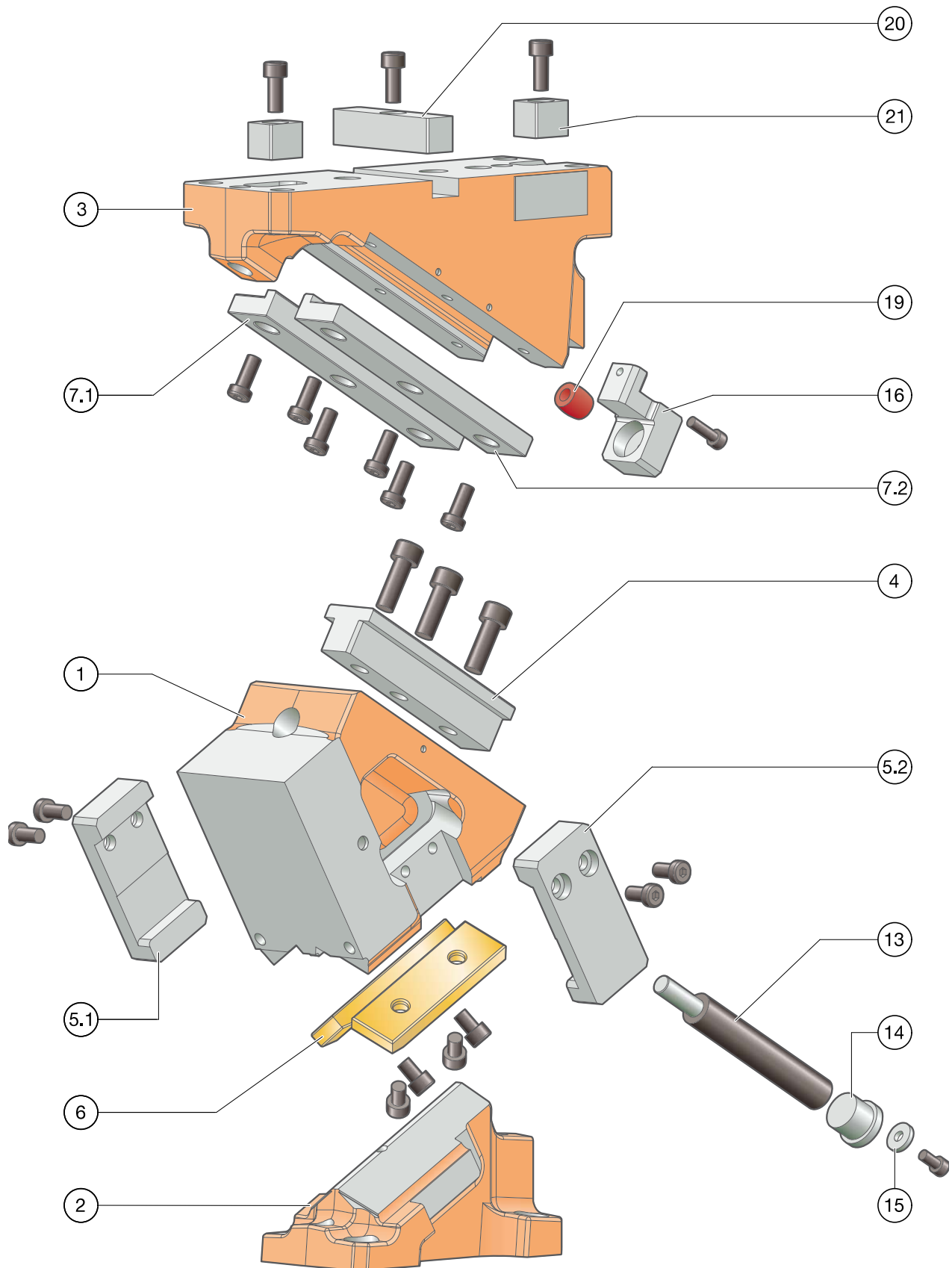
### Driver:

4 × M12  
2 × ø12



# AERIAL CAM UNIT FCC-LV 2016.26.009./011.

## EXPLODED VIEW



# AERIAL CAM UNIT FCC-LV 2016.26.009./011.

## PARTS LIST



| Item No.        | Pcs. | Designation                  | Material                    | tuned | Spare part |
|-----------------|------|------------------------------|-----------------------------|-------|------------|
| 1               | 1    | Cam slider                   | EN-JS-1060                  | --    | --         |
| 2               | 1    | Driver                       | EN-JS-1060                  | --    | --         |
| 3               | 1    | Cam base                     | EN-JS-1060                  | --    | --         |
| 4               | 1    | Centre guide                 | 1.2379                      | --    | x          |
| 5.1             | 1    | mechanical retraction, left  | 1.1191 with sinter layer    | x     | x          |
| 5.2             | 1    | mechanical retraction, right | 1.1191 with sinter layer    | x     | x          |
| 6               | 2    | Sliding plate                | Bronze with solid lubricant | --    | x          |
| 7.1             | 1    | L-guide, left                | 1.1191 with sinter layer    | x     | x          |
| 7.2             | 1    | L-guide, right               | 1.1191 with sinter layer    | x     | x          |
| 8               |      |                              |                             |       |            |
| 9               |      |                              |                             |       |            |
| 10              |      |                              |                             |       |            |
| 11              |      |                              |                             |       |            |
| 12              |      |                              |                             |       |            |
| 13              | 1    | Gas spring                   | 2487.12.00.170.□□□          | --    | x          |
| 14              | 1    | Locking tappet               | 1.7131                      | --    | x          |
| 15              | 1    | Locking tappet pin           |                             | --    | x          |
| 16              | 1    | Slide stop                   | 1.1191                      | --    | x          |
| 17 (not shown)  | 1    | Spacer                       |                             | --    | x          |
| 18 (not shown)  | 1    | Lockout system               | 1.1191                      | --    | x          |
| 19              | 1    | Damper                       | Elastomer                   | --    | x          |
| 20              | 1    | Feather key (T-nut)          | 1.1191                      | --    | x          |
| 21              | 2    | Feather key (T-nut)          | 1.1191                      | --    | x          |
| 22              |      |                              |                             |       |            |
| 23              |      |                              |                             |       |            |
| 24* (not shown) | 1    | Spacer                       | 1.1191                      | --    | x          |

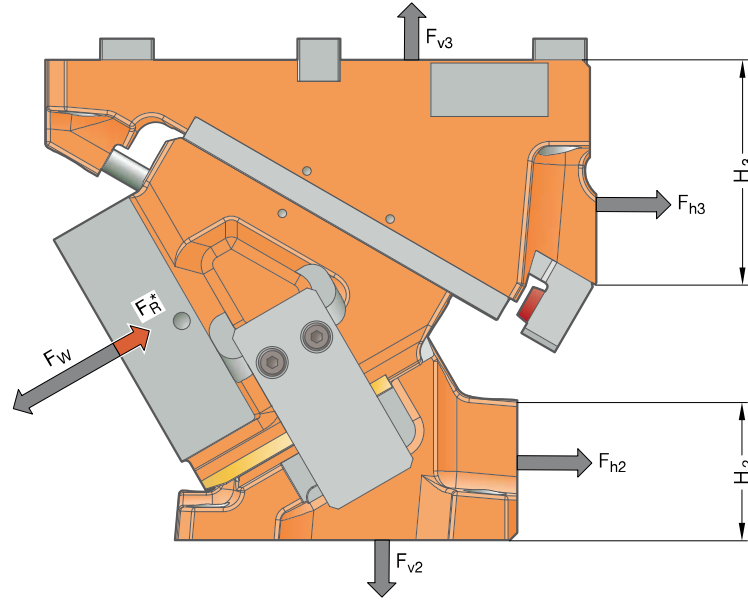
\* not installed at all angles

For inquiries or when ordering spare parts (x), we require the following data:

- Cam unit order no.
- Cam unit serial number
- Item No. / Designation / Spare part

# AERIAL CAM UNIT FCC-LV 2016.26.009./011.

## SYSTEM AND SURROUNDING FORCES



All force specifications in this catalogue of the Series 2016.26 are pre-assigned values that provide a higher safety factor.

| Order No               | $\alpha$<br>[°] | $F_w$<br>[kN] | $F_R^*$<br>[kN] | $F_{h2}$<br>[kN] | $F_{v2}$<br>[kN] | $F_{h3}$<br>[kN] | $F_{v3}$<br>[kN] | $H_2$<br>[mm] | $H_3$<br>[mm] |
|------------------------|-----------------|---------------|-----------------|------------------|------------------|------------------|------------------|---------------|---------------|
| 2016.26.0□□.00.1000.00 | 0               | 196           | 18              | -14              | 203              | 210              | 203              | 33            | 168           |
| 2016.26.0□□.05.1000.00 | 5               | 205           | 18              | 4                | 213              | 201              | 231              | 43            | 152           |
| 2016.26.0□□.10.1000.00 | 10              | 214           | 18              | 23               | 221              | 188              | 258              | 43            | 138           |
| 2016.26.0□□.15.1000.00 | 15              | 224           | 18              | 44               | 228              | 172              | 286              | 55            | 123           |
| 2016.26.0□□.20.1000.00 | 20              | 221           | 18              | 43               | 151              | 164              | 226              | 50            | 138           |
| 2016.26.0□□.25.1000.00 | 25              | 218           | 18              | 55               | 144              | 142              | 237              | 62            | 123           |
| 2016.26.0□□.30.1000.00 | 30              | 215           | 18              | 67               | 137              | 119              | 245              | 64            | 105           |
| 2016.26.0□□.35.1000.00 | 35              | 221           | 18              | 81               | 134              | 100              | 261              | 77            | 88            |
| 2016.26.0□□.40.1000.00 | 40              | 226           | 18              | 61               | 84               | 112              | 230              | 69            | 105           |
| 2016.26.0□□.45.1000.00 | 45              | 232           | 18              | 70               | 81               | 94               | 245              | 82            | 88            |
| 2016.26.0□□.50.1000.00 | 50              | 212           | 18              | 70               | 68               | 66               | 230              | 89            | 68            |
| 2016.26.0□□.55.1000.00 | 55              | 206           | 18              | 74               | 60               | 44               | 228              | 98            | 58            |
| 2016.26.0□□.60.1000.00 | 60              | 228           | 18              | 48               | 32               | 66               | 230              | 104           | 68            |
| 2016.26.0□□.65.1000.00 | 65              | 225           | 18              | 50               | 28               | 45               | 232              | 113           | 58            |
| 2016.26.0□□.70.1000.00 | 70              | 223           | 18              | 52               | 23               | 24               | 233              | 92            | 46            |
| 2016.26.0□□.75.1000.00 | 75              | 220           | 18              | 53               | 18               | 4                | 231              | 102           | 38            |

\* Retraction force values correspond to the spring-generated retraction force at the working point

The forces  $F_{h2}$ ,  $F_{v2}$  as well as  $F_{h3}$ ,  $F_{v3}$  act on the tool environment at maximum working force  $F_w$ .

# AERIAL CAM UNIT FCC-LV 2016.26.009./011.

## FORCE DIAGRAM



Support via cast shoulder

| 0°               |    | Width 115 mm |      |      |     |      |      |      |
|------------------|----|--------------|------|------|-----|------|------|------|
|                  |    | 12.5         | 17.5 | 17.5 | 20  | 17.5 | 17.5 | 12.5 |
| Height<br>120 mm | 24 | 45           | 54   | 72   | 92  | 72   | 54   | 45   |
|                  | 24 | 55           | 68   | 90   | 119 | 90   | 68   | 55   |
|                  | 24 | 68           | 95   | 110  | 156 | 110  | 95   | 68   |
|                  | 24 | 60           | 99   | 126  | 196 | 126  | 99   | 60   |
|                  | 24 | 58           | 72   | 113  | 175 | 113  | 72   | 58   |

Support via feather key

| 0°               |    | Width 115 mm |      |      |    |      |      |      |
|------------------|----|--------------|------|------|----|------|------|------|
|                  |    | 12.5         | 17.5 | 17.5 | 20 | 17.5 | 17.5 | 12.5 |
| Height<br>120 mm | 24 | 45           | 47   | 47   | 59 | 47   | 47   | 45   |
|                  | 24 | 48           | 50   | 51   | 61 | 51   | 50   | 48   |
|                  | 24 | 47           | 48   | 47   | 57 | 47   | 48   | 47   |
|                  | 24 | 44           | 45   | 44   | 55 | 44   | 45   | 44   |
|                  | 24 | 42           | 42   | 43   | 53 | 43   | 42   | 42   |

| 5°               |    | Width 115 mm |      |      |     |      |      |      |
|------------------|----|--------------|------|------|-----|------|------|------|
|                  |    | 12.5         | 17.5 | 17.5 | 20  | 17.5 | 17.5 | 12.5 |
| Height<br>120 mm | 24 | 44           | 54   | 70   | 92  | 70   | 54   | 44   |
|                  | 24 | 55           | 67   | 88   | 119 | 88   | 67   | 55   |
|                  | 24 | 66           | 92   | 109  | 156 | 109  | 92   | 66   |
|                  | 24 | 61           | 94   | 126  | 205 | 126  | 94   | 61   |
|                  | 24 | 58           | 75   | 116  | 182 | 116  | 75   | 58   |

| 5°               |    | Width 115 mm |      |      |    |      |      |      |
|------------------|----|--------------|------|------|----|------|------|------|
|                  |    | 12.5         | 17.5 | 17.5 | 20 | 17.5 | 17.5 | 12.5 |
| Height<br>120 mm | 24 | 44           | 54   | 58   | 66 | 58   | 54   | 44   |
|                  | 24 | 55           | 64   | 64   | 71 | 64   | 64   | 55   |
|                  | 24 | 59           | 61   | 61   | 68 | 61   | 61   | 59   |
|                  | 24 | 56           | 57   | 58   | 65 | 58   | 57   | 56   |
|                  | 24 | 53           | 54   | 55   | 63 | 55   | 54   | 53   |

| 10°              |    | Width 115 mm |      |      |     |      |      |      |
|------------------|----|--------------|------|------|-----|------|------|------|
|                  |    | 12.5         | 17.5 | 17.5 | 20  | 17.5 | 17.5 | 12.5 |
| Height<br>120 mm | 24 | 44           | 53   | 69   | 92  | 69   | 53   | 44   |
|                  | 24 | 54           | 66   | 87   | 119 | 87   | 66   | 54   |
|                  | 24 | 64           | 88   | 108  | 157 | 108  | 88   | 64   |
|                  | 24 | 63           | 88   | 126  | 214 | 126  | 88   | 63   |
|                  | 24 | 58           | 79   | 119  | 188 | 119  | 79   | 58   |

| 10°              |    | Width 115 mm |      |      |    |      |      |      |
|------------------|----|--------------|------|------|----|------|------|------|
|                  |    | 12.5         | 17.5 | 17.5 | 20 | 17.5 | 17.5 | 12.5 |
| Height<br>120 mm | 24 | 44           | 53   | 69   | 73 | 69   | 53   | 44   |
|                  | 24 | 54           | 66   | 78   | 82 | 78   | 66   | 54   |
|                  | 24 | 64           | 74   | 75   | 79 | 75   | 74   | 64   |
|                  | 24 | 63           | 70   | 71   | 75 | 71   | 70   | 63   |
|                  | 24 | 58           | 66   | 68   | 72 | 68   | 66   | 58   |

| 15°              |    | Width 115 mm |      |      |     |      |      |      |
|------------------|----|--------------|------|------|-----|------|------|------|
|                  |    | 12.5         | 17.5 | 17.5 | 20  | 17.5 | 17.5 | 12.5 |
| Height<br>120 mm | 24 | 43           | 52   | 68   | 92  | 68   | 52   | 43   |
|                  | 24 | 54           | 65   | 85   | 119 | 85   | 65   | 54   |
|                  | 24 | 62           | 85   | 107  | 158 | 107  | 85   | 62   |
|                  | 24 | 65           | 83   | 126  | 224 | 126  | 83   | 65   |
|                  | 24 | 59           | 83   | 123  | 195 | 123  | 83   | 59   |

| 15°              |    | Width 115 mm |      |      |    |      |      |      |
|------------------|----|--------------|------|------|----|------|------|------|
|                  |    | 12.5         | 17.5 | 17.5 | 20 | 17.5 | 17.5 | 12.5 |
| Height<br>120 mm | 24 | 43           | 52   | 68   | 81 | 68   | 52   | 43   |
|                  | 24 | 54           | 65   | 85   | 93 | 85   | 65   | 54   |
|                  | 24 | 62           | 85   | 89   | 90 | 89   | 85   | 62   |
|                  | 24 | 65           | 83   | 84   | 85 | 84   | 83   | 65   |
|                  | 24 | 59           | 78   | 81   | 81 | 81   | 78   | 59   |

| 20°              |    | Width 115 mm |      |      |     |      |      |      |
|------------------|----|--------------|------|------|-----|------|------|------|
|                  |    | 12.5         | 17.5 | 17.5 | 20  | 17.5 | 17.5 | 12.5 |
| Height<br>120 mm | 24 | 41           | 51   | 67   | 91  | 67   | 51   | 41   |
|                  | 24 | 52           | 64   | 85   | 120 | 85   | 64   | 52   |
|                  | 24 | 62           | 88   | 110  | 164 | 110  | 88   | 62   |
|                  | 24 | 64           | 88   | 127  | 221 | 127  | 88   | 64   |
|                  | 24 | 58           | 82   | 125  | 198 | 125  | 82   | 58   |

| 20°              |    | Width 115 mm |    |    |     |    |    |      |
|------------------|----|--------------|----|----|-----|----|----|------|
|                  |    | 17.5         | 40 | 40 | 25  | 40 | 40 | 17.5 |
| Height<br>120 mm | 24 | 41           | 51 | 67 | 86  | 67 | 51 | 41   |
|                  | 24 | 52           | 64 | 85 | 100 | 85 | 64 | 52   |
|                  | 24 | 62           | 88 | 95 | 97  | 95 | 88 | 62   |
|                  | 24 | 64           | 87 | 91 | 91  | 91 | 87 | 64   |
|                  | 24 | 58           | 82 | 86 | 87  | 86 | 82 | 58   |

| 25°              |    | Width 115 mm |      |      |     |      |      |      |
|------------------|----|--------------|------|------|-----|------|------|------|
|                  |    | 12.5         | 17.5 | 17.5 | 20  | 17.5 | 17.5 | 12.5 |
| Height<br>120 mm | 24 | 39           | 49   | 66   | 91  | 66   | 49   | 39   |
|                  | 24 | 50           | 63   | 86   | 121 | 86   | 63   | 50   |
|                  | 24 | 61           | 92   | 113  | 169 | 113  | 92   | 61   |
|                  | 24 | 62           | 92   | 129  | 218 | 129  | 92   | 62   |
|                  | 24 | 58           | 82   | 128  | 200 | 128  | 82   | 58   |

| 25°              |    | Width 115 mm |      |      |     |      |      |      |
|------------------|----|--------------|------|------|-----|------|------|------|
|                  |    | 12.5         | 17.5 | 17.5 | 20  | 17.5 | 17.5 | 12.5 |
| Height<br>120 mm | 24 | 39           | 49   | 66   | 90  | 66   | 49   | 39   |
|                  | 24 | 50           | 63   | 86   | 107 | 86   | 63   | 50   |
|                  | 24 | 61           | 92   | 102  | 103 | 102  | 92   | 61   |
|                  | 24 | 62           | 92   | 98   | 98  | 98   | 92   | 62   |
|                  | 24 | 58           | 82   | 92   | 92  | 92   | 82   | 58   |

# AERIAL CAM UNIT FCC-LV 2016.26.009./011.

## FORCE DIAGRAM

Support via cast shoulder

|                  |     | Width 115 mm |      |      |     |      |      |      |    |
|------------------|-----|--------------|------|------|-----|------|------|------|----|
|                  |     | 12.5         | 17.5 | 17.5 | 20  | 17.5 | 17.5 | 12.5 |    |
| Height<br>120 mm | 30° | 24           | 36   | 48   | 65  | 90   | 65   | 48   | 36 |
|                  | 24  | 49           | 62   | 86   | 122 | 86   | 62   | 49   |    |
|                  | 24  | 61           | 95   | 116  | 175 | 116  | 95   | 61   |    |
|                  | 24  | 61           | 97   | 130  | 215 | 130  | 97   | 61   |    |
|                  | 24  | 58           | 82   | 130  | 202 | 130  | 82   | 58   |    |

Support via feather key

|                  |     | Width 115 mm |      |      |     |      |      |      |    |
|------------------|-----|--------------|------|------|-----|------|------|------|----|
|                  |     | 12.5         | 17.5 | 17.5 | 20  | 17.5 | 17.5 | 12.5 |    |
| Height<br>120 mm | 30° | 24           | 36   | 48   | 65  | 90   | 65   | 48   | 36 |
|                  | 24  | 49           | 62   | 86   | 115 | 86   | 62   | 49   |    |
|                  | 24  | 61           | 95   | 109  | 110 | 109  | 95   | 61   |    |
|                  | 24  | 61           | 97   | 104  | 105 | 104  | 97   | 61   |    |
|                  | 24  | 58           | 82   | 98   | 98  | 98   | 82   | 58   |    |

|                  |     | Width 115 mm |    |     |     |     |    |      |    |
|------------------|-----|--------------|----|-----|-----|-----|----|------|----|
|                  |     | 17.5         | 40 | 40  | 25  | 40  | 40 | 17.5 |    |
| Height<br>120 mm | 35° | 24           | 35 | 46  | 63  | 86  | 63 | 46   | 35 |
|                  | 24  | 47           | 61 | 86  | 120 | 86  | 61 | 47   |    |
|                  | 24  | 58           | 87 | 112 | 171 | 112 | 87 | 58   |    |
|                  | 24  | 61           | 93 | 132 | 221 | 132 | 93 | 61   |    |
|                  | 24  | 57           | 83 | 134 | 209 | 134 | 83 | 57   |    |

|                  |     | Width 115 mm |      |      |     |      |      |      |    |
|------------------|-----|--------------|------|------|-----|------|------|------|----|
|                  |     | 12.5         | 17.5 | 17.5 | 20  | 17.5 | 17.5 | 12.5 |    |
| Height<br>120 mm | 35° | 24           | 35   | 46   | 63  | 86   | 63   | 46   | 35 |
|                  | 24  | 47           | 61   | 86   | 120 | 86   | 61   | 47   |    |
|                  | 24  | 58           | 87   | 112  | 123 | 112  | 87   | 58   |    |
|                  | 24  | 61           | 93   | 112  | 116 | 112  | 93   | 61   |    |
|                  | 24  | 57           | 83   | 103  | 108 | 103  | 83   | 57   |    |

|                  |     | Width 115 mm |      |      |     |      |      |      |    |
|------------------|-----|--------------|------|------|-----|------|------|------|----|
|                  |     | 12.5         | 17.5 | 17.5 | 20  | 17.5 | 17.5 | 12.5 |    |
| Height<br>120 mm | 40° | 24           | 33   | 44   | 61  | 82   | 61   | 44   | 33 |
|                  | 24  | 45           | 60   | 86   | 117 | 86   | 60   | 45   |    |
|                  | 24  | 55           | 79   | 109  | 167 | 109  | 79   | 55   |    |
|                  | 24  | 61           | 88   | 134  | 226 | 134  | 88   | 61   |    |
|                  | 24  | 57           | 84   | 139  | 215 | 139  | 84   | 57   |    |

|                  |     | Width 115 mm |      |      |     |      |      |      |    |
|------------------|-----|--------------|------|------|-----|------|------|------|----|
|                  |     | 12.5         | 17.5 | 17.5 | 20  | 17.5 | 17.5 | 12.5 |    |
| Height<br>120 mm | 40° | 24           | 33   | 44   | 61  | 82   | 61   | 44   | 33 |
|                  | 24  | 45           | 60   | 86   | 117 | 86   | 60   | 45   |    |
|                  | 24  | 55           | 79   | 109  | 136 | 109  | 79   | 55   |    |
|                  | 24  | 61           | 88   | 120  | 128 | 120  | 88   | 61   |    |
|                  | 24  | 57           | 84   | 108  | 118 | 108  | 84   | 57   |    |

|                  |     | Width 115 mm |      |      |     |      |      |      |    |
|------------------|-----|--------------|------|------|-----|------|------|------|----|
|                  |     | 12.5         | 17.5 | 17.5 | 20  | 17.5 | 17.5 | 12.5 |    |
| Height<br>120 mm | 45° | 24           | 32   | 42   | 59  | 78   | 59   | 42   | 32 |
|                  | 24  | 43           | 60   | 86   | 114 | 86   | 60   | 43   |    |
|                  | 24  | 51           | 71   | 105  | 164 | 105  | 71   | 51   |    |
|                  | 24  | 62           | 84   | 136  | 232 | 136  | 84   | 62   |    |
|                  | 24  | 57           | 85   | 143  | 222 | 143  | 85   | 57   |    |

|                  |     | Width 115 mm |      |      |     |      |      |      |    |
|------------------|-----|--------------|------|------|-----|------|------|------|----|
|                  |     | 12.5         | 17.5 | 17.5 | 20  | 17.5 | 17.5 | 12.5 |    |
| Height<br>120 mm | 45° | 24           | 32   | 42   | 59  | 78   | 59   | 42   | 32 |
|                  | 24  | 43           | 60   | 86   | 114 | 86   | 60   | 43   |    |
|                  | 24  | 51           | 71   | 105  | 149 | 105  | 71   | 51   |    |
|                  | 24  | 62           | 84   | 127  | 139 | 127  | 84   | 62   |    |
|                  | 24  | 57           | 85   | 113  | 128 | 113  | 85   | 57   |    |

|                  |     | Width 115 mm |      |      |     |      |      |      |    |
|------------------|-----|--------------|------|------|-----|------|------|------|----|
|                  |     | 12.5         | 17.5 | 17.5 | 20  | 17.5 | 17.5 | 12.5 |    |
| Height<br>120 mm | 50° | 24           | 31   | 43   | 60  | 82   | 60   | 43   | 31 |
|                  | 24  | 40           | 59   | 86   | 121 | 86   | 59   | 40   |    |
|                  | 24  | 48           | 73   | 112  | 185 | 112  | 73   | 48   |    |
|                  | 24  | 56           | 79   | 131  | 212 | 131  | 79   | 56   |    |
|                  | 24  | 52           | 77   | 124  | 188 | 124  | 77   | 52   |    |

|                  |     | Width 115 mm |      |      |     |      |      |      |    |
|------------------|-----|--------------|------|------|-----|------|------|------|----|
|                  |     | 12.5         | 17.5 | 17.5 | 20  | 17.5 | 17.5 | 12.5 |    |
| Height<br>120 mm | 50° | 24           | 31   | 43   | 60  | 82   | 60   | 43   | 31 |
|                  | 24  | 40           | 59   | 86   | 121 | 86   | 59   | 40   |    |
|                  | 24  | 48           | 73   | 112  | 162 | 112  | 73   | 48   |    |
|                  | 24  | 56           | 79   | 131  | 151 | 131  | 79   | 56   |    |
|                  | 24  | 52           | 77   | 118  | 137 | 118  | 77   | 52   |    |

|                  |     | Width 115 mm |      |      |     |      |      |      |    |
|------------------|-----|--------------|------|------|-----|------|------|------|----|
|                  |     | 12.5         | 17.5 | 17.5 | 20  | 17.5 | 17.5 | 12.5 |    |
| Height<br>120 mm | 55° | 24           | 31   | 43   | 60  | 86   | 60   | 43   | 31 |
|                  | 24  | 37           | 59   | 87   | 129 | 87   | 59   | 37   |    |
|                  | 24  | 44           | 75   | 120  | 206 | 120  | 75   | 44   |    |
|                  | 24  | 50           | 75   | 127  | 191 | 127  | 75   | 50   |    |
|                  | 24  | 47           | 68   | 105  | 153 | 105  | 68   | 47   |    |

|                  |     | Width 115 mm |      |      |     |      |      |      |    |
|------------------|-----|--------------|------|------|-----|------|------|------|----|
|                  |     | 12.5         | 17.5 | 17.5 | 20  | 17.5 | 17.5 | 12.5 |    |
| Height<br>120 mm | 55° | 24           | 31   | 43   | 60  | 86   | 60   | 43   | 31 |
|                  | 24  | 37           | 59   | 87   | 129 | 87   | 59   | 37   |    |
|                  | 24  | 44           | 75   | 120  | 175 | 120  | 75   | 44   |    |
|                  | 24  | 50           | 75   | 127  | 162 | 127  | 75   | 50   |    |
|                  | 24  | 47           | 68   | 105  | 147 | 105  | 68   | 47   |    |

# AERIAL CAM UNIT FCC-LV 2016.26.009./011.

## FORCE DIAGRAM



Support via cast shoulder

|                  |     | Width 115 mm |      |      |     |      |      |      |    |
|------------------|-----|--------------|------|------|-----|------|------|------|----|
|                  |     | 12.5         | 17.5 | 17.5 | 20  | 17.5 | 17.5 | 12.5 |    |
| Height<br>120 mm | 60° | 24           | 30   | 43   | 61  | 91   | 61   | 43   | 30 |
|                  |     | 24           | 34   | 58   | 87  | 136  | 87   | 58   | 34 |
|                  |     | 24           | 41   | 77   | 127 | 228  | 127  | 77   | 41 |
|                  |     | 24           | 45   | 71   | 123 | 171  | 123  | 71   | 45 |
|                  |     | 24           | 41   | 59   | 86  | 119  | 86   | 59   | 41 |

Support via feather key

|                  |     | Width 115 mm |      |      |     |      |      |      |    |
|------------------|-----|--------------|------|------|-----|------|------|------|----|
|                  |     | 12.5         | 17.5 | 17.5 | 20  | 17.5 | 17.5 | 12.5 |    |
| Height<br>120 mm | 60° | 24           | 30   | 43   | 61  | 91   | 61   | 43   | 30 |
|                  |     | 24           | 34   | 58   | 87  | 136  | 87   | 58   | 34 |
|                  |     | 24           | 41   | 77   | 127 | 188  | 127  | 77   | 41 |
|                  |     | 24           | 45   | 71   | 123 | 171  | 123  | 71   | 45 |
|                  |     | 24           | 41   | 59   | 86  | 119  | 86   | 59   | 41 |

65°

|                  |     | Width 115 mm |      |      |     |      |      |      |    |
|------------------|-----|--------------|------|------|-----|------|------|------|----|
|                  |     | 12.5         | 17.5 | 17.5 | 20  | 17.5 | 17.5 | 12.5 |    |
| Height<br>120 mm | 65° | 24           | 30   | 43   | 64  | 95   | 64   | 43   | 30 |
|                  |     | 24           | 34   | 58   | 87  | 137  | 87   | 58   | 34 |
|                  |     | 24           | 41   | 78   | 128 | 225  | 128  | 78   | 41 |
|                  |     | 24           | 45   | 71   | 122 | 170  | 122  | 71   | 45 |
|                  |     | 24           | 41   | 59   | 86  | 123  | 86   | 59   | 41 |

65°

|                  |     | Width 115 mm |      |      |     |      |      |      |    |
|------------------|-----|--------------|------|------|-----|------|------|------|----|
|                  |     | 12.5         | 17.5 | 17.5 | 20  | 17.5 | 17.5 | 12.5 |    |
| Height<br>120 mm | 65° | 24           | 30   | 43   | 64  | 95   | 64   | 43   | 30 |
|                  |     | 24           | 34   | 58   | 87  | 137  | 87   | 58   | 34 |
|                  |     | 24           | 41   | 78   | 128 | 200  | 128  | 78   | 41 |
|                  |     | 24           | 45   | 71   | 122 | 170  | 122  | 71   | 45 |
|                  |     | 24           | 41   | 59   | 86  | 123  | 86   | 59   | 41 |

70°

|                  |     | Width 115 mm |      |      |     |      |      |      |    |
|------------------|-----|--------------|------|------|-----|------|------|------|----|
|                  |     | 12.5         | 17.5 | 17.5 | 20  | 17.5 | 17.5 | 12.5 |    |
| Height<br>120 mm | 70° | 24           | 30   | 44   | 66  | 99   | 66   | 44   | 30 |
|                  |     | 24           | 34   | 58   | 88  | 138  | 88   | 58   | 34 |
|                  |     | 24           | 41   | 79   | 130 | 223  | 130  | 79   | 41 |
|                  |     | 24           | 45   | 70   | 121 | 168  | 121  | 70   | 45 |
|                  |     | 24           | 40   | 58   | 85  | 127  | 85   | 58   | 40 |

70°

|                  |     | Width 115 mm |      |      |     |      |      |      |    |
|------------------|-----|--------------|------|------|-----|------|------|------|----|
|                  |     | 12.5         | 17.5 | 17.5 | 20  | 17.5 | 17.5 | 12.5 |    |
| Height<br>120 mm | 70° | 24           | 30   | 44   | 66  | 99   | 66   | 44   | 30 |
|                  |     | 24           | 34   | 58   | 88  | 138  | 88   | 58   | 34 |
|                  |     | 24           | 41   | 79   | 130 | 200  | 130  | 79   | 41 |
|                  |     | 24           | 45   | 70   | 121 | 168  | 121  | 70   | 45 |
|                  |     | 24           | 40   | 58   | 85  | 127  | 85   | 58   | 40 |

75°

|                  |     | Width 115 mm |      |      |     |      |      |      |    |
|------------------|-----|--------------|------|------|-----|------|------|------|----|
|                  |     | 12.5         | 17.5 | 17.5 | 20  | 17.5 | 17.5 | 12.5 |    |
| Height<br>120 mm | 75° | 24           | 30   | 44   | 68  | 103  | 68   | 44   | 30 |
|                  |     | 24           | 34   | 58   | 88  | 139  | 88   | 58   | 34 |
|                  |     | 24           | 42   | 79   | 131 | 220  | 131  | 79   | 42 |
|                  |     | 24           | 46   | 70   | 120 | 167  | 120  | 70   | 46 |
|                  |     | 24           | 39   | 58   | 85  | 130  | 85   | 58   | 39 |

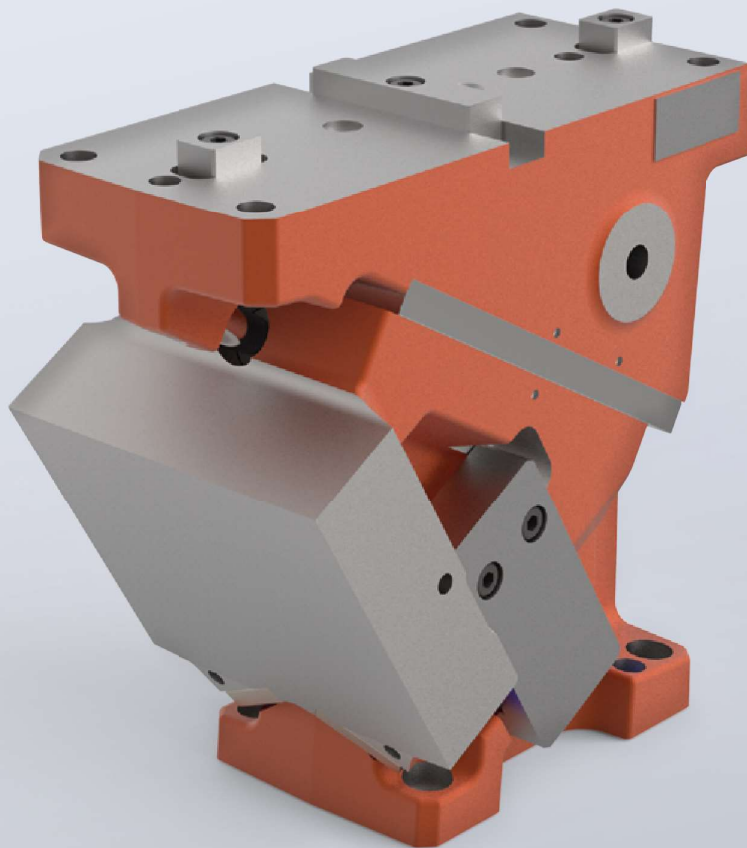
75°

|                  |     | Width 115 mm |      |      |     |      |      |      |    |
|------------------|-----|--------------|------|------|-----|------|------|------|----|
|                  |     | 12.5         | 17.5 | 17.5 | 20  | 17.5 | 17.5 | 12.5 |    |
| Height<br>120 mm | 75° | 24           | 30   | 44   | 68  | 103  | 68   | 44   | 30 |
|                  |     | 24           | 34   | 58   | 88  | 139  | 88   | 58   | 34 |
|                  |     | 24           | 42   | 79   | 131 | 200  | 131  | 79   | 42 |
|                  |     | 24           | 46   | 70   | 120 | 167  | 120  | 70   | 46 |
|                  |     | 24           | 39   | 58   | 85  | 130  | 85   | 58   | 39 |



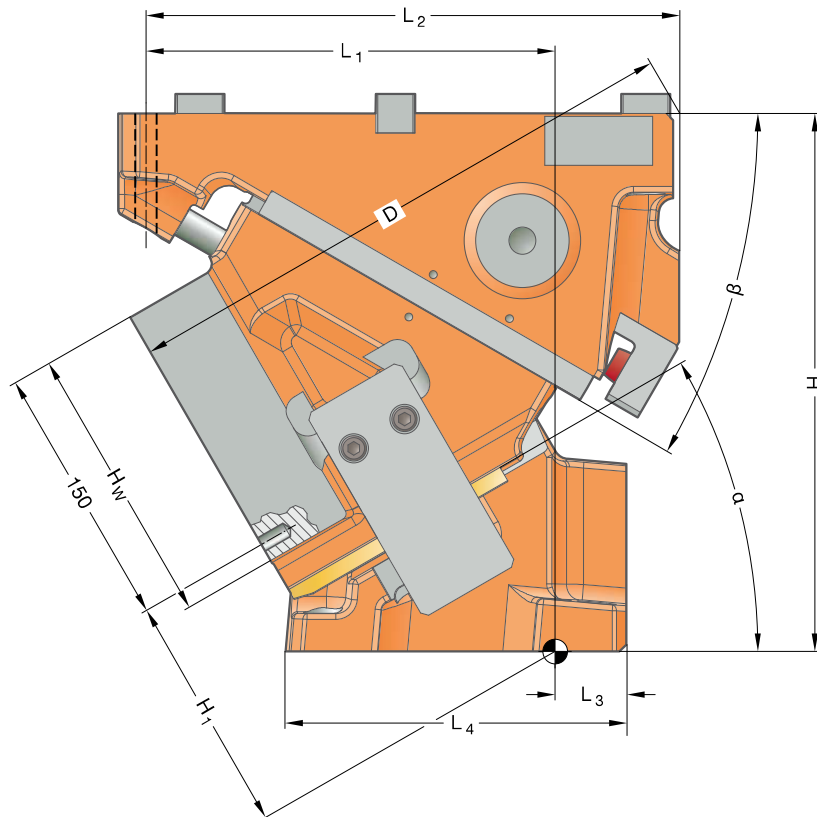
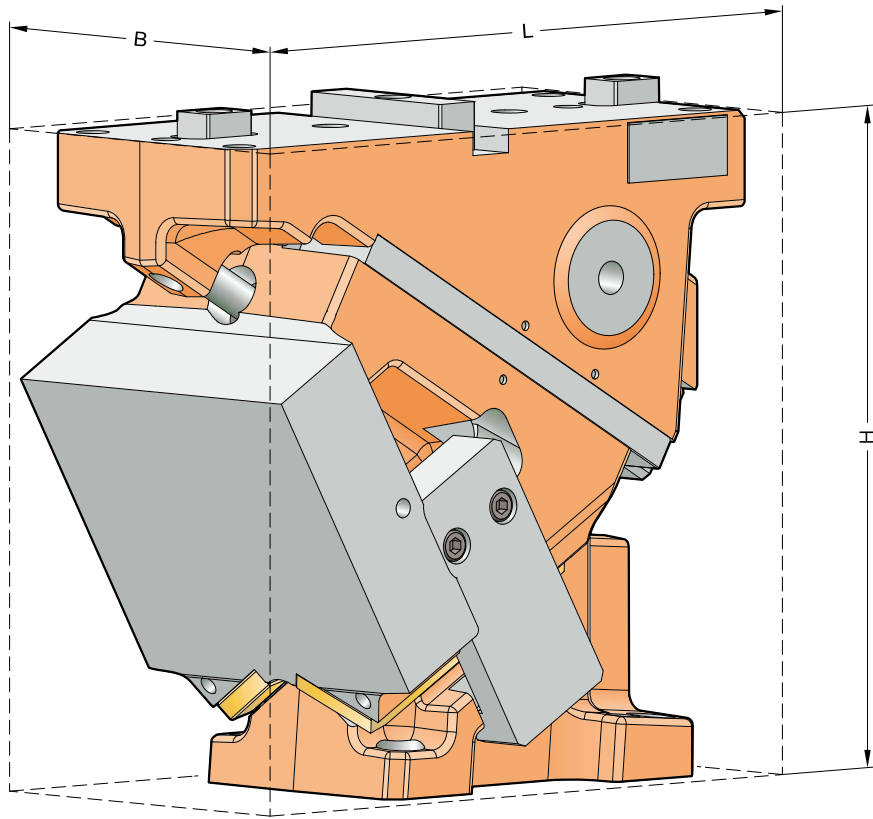
AERIAL CAM UNIT FCC-LV  
**2016.26.012./016.**

**Working width:** 125/160 mm  
**Performance class:** 280 kN



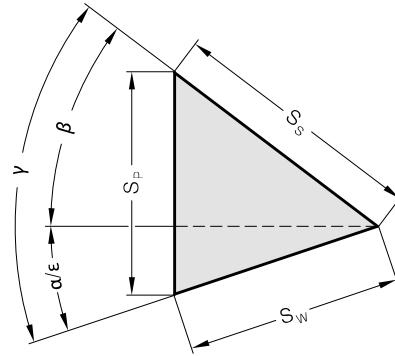


AERIAL CAM UNIT FCC-LV 2016.26.012./016.  
**SIZE TABLE**



# AERIAL CAM UNIT FCC-LV 2016.26.012./016.

## SIZE TABLE



| Order No               | L<br>[mm] | B<br>[mm] | H<br>[mm] | H <sub>1</sub><br>[mm] | H <sub>W</sub><br>[mm] | L <sub>1</sub><br>[mm] | L <sub>2</sub><br>[mm] | L <sub>3</sub><br>[mm] | L <sub>4</sub><br>[mm] | D<br>[mm] | α<br>[°] | β<br>[°] | S <sub>W</sub><br>[mm] | S <sub>S</sub><br>[mm] | S <sub>P</sub><br>[mm] |
|------------------------|-----------|-----------|-----------|------------------------|------------------------|------------------------|------------------------|------------------------|------------------------|-----------|----------|----------|------------------------|------------------------|------------------------|
| 2016.26.012.00.1000.00 | 273       | 125       | 275       | 60                     | 145                    | 161                    | 247                    | 35                     | 224                    | 272,5     | 0        | 50       | 32,1                   | 50                     | 38,3                   |
| 2016.26.016.00.1000.00 |           | 160       |           |                        |                        |                        |                        |                        |                        |           |          |          |                        |                        |                        |
| 2016.26.012.05.1000.00 | 283       | 125       | 275       | 70,14                  | 145                    | 175                    | 257                    | 35                     | 220                    | 288,43    | 5        | 45       | 35,5                   | 50                     | 38,4                   |
| 2016.26.016.05.1000.00 |           | 160       |           |                        |                        |                        |                        |                        |                        |           |          |          |                        |                        |                        |
| 2016.26.012.10.1000.00 | 291       | 125       | 275       | 84,54                  | 145                    | 178                    | 257                    | 35                     | 224                    | 299,92    | 10       | 40       | 38,9                   | 50                     | 38,9                   |
| 2016.26.016.10.1000.00 |           | 160       |           |                        |                        |                        |                        |                        |                        |           |          |          |                        |                        |                        |
| 2016.26.012.15.1000.00 | 298       | 125       | 275       | 94,31                  | 145                    | 196                    | 267                    | 35                     | 221                    | 309,25    | 15       | 35       | 42,4                   | 50                     | 39,7                   |
| 2016.26.016.15.1000.00 |           | 160       |           |                        |                        |                        |                        |                        |                        |           |          |          |                        |                        |                        |
| 2016.26.012.20.1000.00 | 279       | 125       | 275       | 90,35                  | 145                    | 180                    | 257                    | 35                     | 185                    | 294,17    | 20       | 40       | 40,8                   | 50                     | 46,1                   |
| 2016.26.016.20.1000.00 |           | 160       |           |                        |                        |                        |                        |                        |                        |           |          |          |                        |                        |                        |
| 2016.26.012.25.1000.00 | 285       | 125       | 275       | 99,29                  | 145                    | 198                    | 267                    | 35                     | 182                    | 299,95    | 25       | 35       | 45,2                   | 50                     | 47,8                   |
| 2016.26.016.25.1000.00 |           | 160       |           |                        |                        |                        |                        |                        |                        |           |          |          |                        |                        |                        |
| 2016.26.012.30.1000.00 | 287       | 125       | 275       | 107,03                 | 145                    | 208                    | 272                    | 35                     | 174                    | 296,83    | 30       | 30       | 45,0                   | 45                     | 45,0                   |
| 2016.26.016.30.1000.00 |           | 160       |           |                        |                        |                        |                        |                        |                        |           |          |          |                        |                        |                        |
| 2016.26.012.35.1000.00 | 297       | 125       | 275       | 115,59                 | 145                    | 224                    | 277                    | 35                     | 171                    | 296,1     | 35       | 25       | 49,8                   | 45                     | 47,6                   |
| 2016.26.016.35.1000.00 |           | 160       |           |                        |                        |                        |                        |                        |                        |           |          |          |                        |                        |                        |
| 2016.26.012.40.1000.00 | 304       | 125       | 275       | 120,73                 | 145                    | 211                    | 272                    | 35                     | 172                    | 313,57    | 40       | 30       | 50,9                   | 45                     | 55,2                   |
| 2016.26.016.40.1000.00 |           | 160       |           |                        |                        |                        |                        |                        |                        |           |          |          |                        |                        |                        |
| 2016.26.012.45.1000.00 | 303       | 125       | 275       | 128,51                 | 145                    | 228                    | 277                    | 35                     | 170                    | 309,41    | 45       | 25       | 57,7                   | 45                     | 59,8                   |
| 2016.26.016.45.1000.00 |           | 160       |           |                        |                        |                        |                        |                        |                        |           |          |          |                        |                        |                        |
| 2016.26.012.50.1000.00 | 296       | 125       | 275       | 134,86                 | 145                    | 239                    | 267                    | 35                     | 173                    | 294,51    | 50       | 20       | 48,2                   | 33                     | 48,2                   |
| 2016.26.016.50.1000.00 |           | 160       |           |                        |                        |                        |                        |                        |                        |           |          |          |                        |                        |                        |
| 2016.26.012.55.1000.00 | 305       | 125       | 275       | 132,31                 | 145                    | 251                    | 272                    | 35                     | 162                    | 288,28    | 55       | 15       | 55,6                   | 33                     | 54,1                   |
| 2016.26.016.55.1000.00 |           | 160       |           |                        |                        |                        |                        |                        |                        |           |          |          |                        |                        |                        |
| 2016.26.012.60.1000.00 | 288       | 125       | 275       | 107,66                 | 145                    | 235                    | 267                    | 35                     | 136                    | 293,61    | 60       | 20       | 54,5                   | 29                     | 57,1                   |
| 2016.26.016.60.1000.00 |           | 160       |           |                        |                        |                        |                        |                        |                        |           |          |          |                        |                        |                        |
| 2016.26.012.65.1000.00 | 305       | 125       | 275       | 106,03                 | 145                    | 251                    | 272                    | 35                     | 129                    | 285,35    | 65       | 15       | 66,3                   | 29                     | 67,6                   |
| 2016.26.016.65.1000.00 |           | 160       |           |                        |                        |                        |                        |                        |                        |           |          |          |                        |                        |                        |
| 2016.26.012.70.1000.00 | 315       | 125       | 275       | 100,99                 | 145                    | 261                    | 267                    | 35                     | 123                    | 271,13    | 70       | 10       | 63,3                   | 22                     | 63,3                   |
| 2016.26.016.70.1000.00 |           | 160       |           |                        |                        |                        |                        |                        |                        |           |          |          |                        |                        |                        |
| 2016.26.012.75.1000.00 | 327       | 125       | 275       | 91,32                  | 145                    | 272                    | 267                    | 35                     | 110                    | 263,01    | 75       | 5        | 69,3                   | 18                     | 68,5                   |
| 2016.26.016.75.1000.00 |           | 160       |           |                        |                        |                        |                        |                        |                        |           |          |          |                        |                        |                        |

### Fastening

Hexagon socket head cap screws DIN EN ISO 4762 / Strength class min. 8.8  
Dowel pins DIN EN ISO 8735

### Cam base:

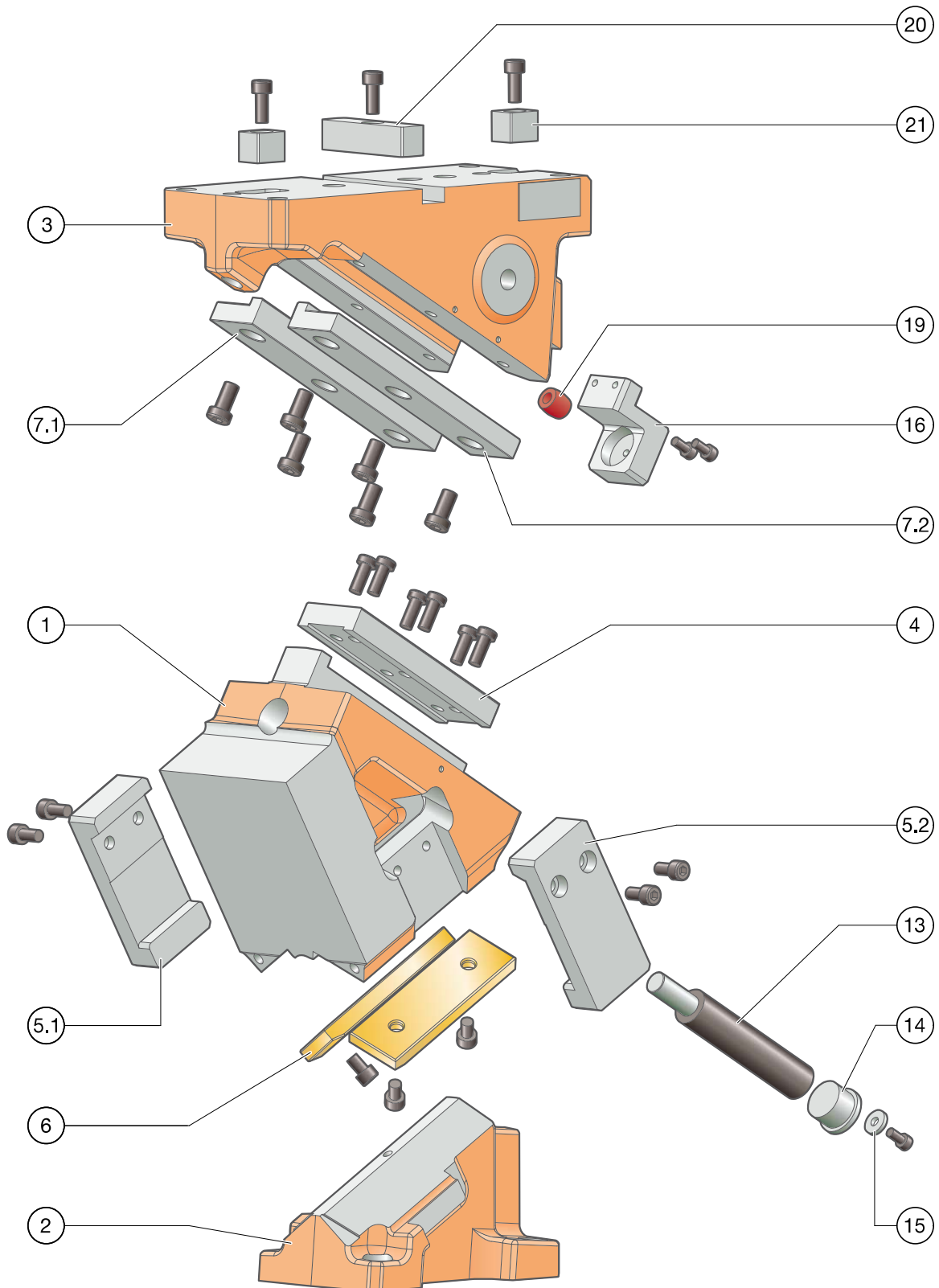
4 × M12  
2 × ø12

### Driver:

4 × M12  
2 × ø12

# AERIAL CAM UNIT FCC-LV 2016.26.012./016.

## EXPLODED VIEW



# AERIAL CAM UNIT FCC-LV 2016.26.012./016.

## PARTS LIST



| Item No.        | Pcs. | Designation                  | Material                    | tuned | Spare part |
|-----------------|------|------------------------------|-----------------------------|-------|------------|
| 1               | 1    | Cam slider                   | EN-JS-1060                  | --    | --         |
| 2               | 1    | Driver                       | EN-JS-1060                  | --    | --         |
| 3               | 1    | Cam base                     | EN-JS-1060                  | --    | --         |
| 4               | 1    | Centre guide                 | 1.2379                      | --    | x          |
| 5.1             | 1    | mechanical retraction, left  | 1.1191 with sinter layer    | x     | x          |
| 5.2             | 1    | mechanical retraction, right | 1.1191 with sinter layer    | x     | x          |
| 6               | 2    | Sliding plate                | Bronze with solid lubricant | --    | x          |
| 7.1             | 1    | L-guide, left                | 1.1191 with sinter layer    | x     | x          |
| 7.2             | 1    | L-guide, right               | 1.1191 with sinter layer    | x     | x          |
| 8               |      |                              |                             |       |            |
| 9               |      |                              |                             |       |            |
| 10              |      |                              |                             |       |            |
| 11              |      |                              |                             |       |            |
| 12              |      |                              |                             |       |            |
| 13              | 1    | Gas spring                   | 2487.12.00.320.□□□          | --    | x          |
| 14              | 1    | Locking tappet               | 1.7131                      | --    | x          |
| 15              | 1    | Locking tappet pin           |                             | --    | x          |
| 16              | 1    | Slide stop                   | 1.1191                      | --    | x          |
| 17 (not shown)  | 1    | Spacer                       |                             | --    | x          |
| 18 (not shown)  | 1    | Lockout system               | 1.1191                      | --    | x          |
| 19              | 1    | Damper                       | Elastomer                   | --    | x          |
| 20              | 1    | Feather key (T-nut)          | 1.1191                      | --    | x          |
| 21              | 2    | Feather key (T-nut)          | 1.1191                      | --    | x          |
| 22              |      |                              |                             |       |            |
| 23              |      |                              |                             |       |            |
| 24* (not shown) | 1    | Spacer                       | 1.1191                      | --    | x          |

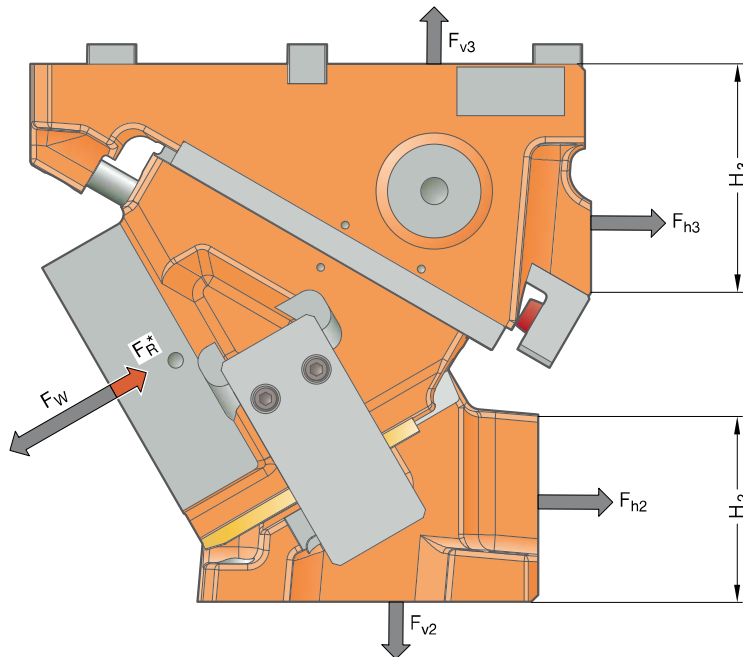
\* not installed at all angles

For inquiries or when ordering spare parts (x), we require the following data:

- Cam unit order no.
- Cam unit serial number
- Item No. / Designation / Spare part

# AERIAL CAM UNIT FCC-LV 2016.26.012./016.

## SYSTEM AND SURROUNDING FORCES



All force specifications in this catalogue of the Series 2016.26 are pre-assigned values that provide a higher safety factor.

| Order No               | $\alpha$<br>[°] | $F_w$<br>[kN] | $F_R^*$<br>[kN] | $F_{h2}$<br>[kN] | $F_{v2}$<br>[kN] | $F_{h3}$<br>[kN] | $F_{v3}$<br>[kN] | $H_2$<br>[mm] | $H_3$<br>[mm] |
|------------------------|-----------------|---------------|-----------------|------------------|------------------|------------------|------------------|---------------|---------------|
| 2016.26.0□□.00.1000.00 | 0               | 281           | 28              | -20              | 291              | 301              | 291              | 35            | 200           |
| 2016.26.0□□.05.1000.00 | 5               | 287           | 28              | 5                | 298              | 281              | 323              | 49            | 182           |
| 2016.26.0□□.10.1000.00 | 10              | 293           | 28              | 32               | 303              | 257              | 353              | 57            | 160           |
| 2016.26.0□□.15.1000.00 | 15              | 299           | 28              | 59               | 305              | 230              | 382              | 70            | 142           |
| 2016.26.0□□.20.1000.00 | 20              | 292           | 28              | 57               | 199              | 217              | 299              | 71            | 160           |
| 2016.26.0□□.25.1000.00 | 25              | 285           | 28              | 72               | 189              | 186              | 309              | 85            | 142           |
| 2016.26.0□□.30.1000.00 | 30              | 289           | 28              | 90               | 184              | 160              | 329              | 96            | 119           |
| 2016.26.0□□.35.1000.00 | 35              | 302           | 28              | 110              | 184              | 137              | 357              | 111           | 102           |
| 2016.26.0□□.40.1000.00 | 40              | 309           | 28              | 84               | 115              | 153              | 314              | 87            | 119           |
| 2016.26.0□□.45.1000.00 | 45              | 310           | 28              | 94               | 108              | 126              | 327              | 103           | 102           |
| 2016.26.0□□.50.1000.00 | 50              | 317           | 28              | 105              | 101              | 99               | 344              | 114           | 79            |
| 2016.26.0□□.55.1000.00 | 55              | 316           | 28              | 113              | 92               | 68               | 350              | 128           | 68            |
| 2016.26.0□□.60.1000.00 | 60              | 322           | 28              | 68               | 46               | 93               | 325              | 113           | 79            |
| 2016.26.0□□.65.1000.00 | 65              | 316           | 28              | 70               | 39               | 63               | 325              | 126           | 68            |
| 2016.26.0□□.70.1000.00 | 70              | 314           | 28              | 73               | 33               | 34               | 328              | 125           | 52            |
| 2016.26.0□□.75.1000.00 | 75              | 304           | 28              | 73               | 25               | 6                | 319              | 137           | 43            |

\* Retraction force values correspond to the spring-generated retraction force at the working point

The forces  $F_{h2}$ ,  $F_{v2}$  as well as  $F_{h3}$ ,  $F_{v3}$  act on the tool environment at maximum working force  $F_w$ .

# AERIAL CAM UNIT FCC-LV 2016.26.012./016.

## FORCE DIAGRAM



Support via cast shoulder

|                  |    | Width 160 mm |     |     |     |     |     |      |     |
|------------------|----|--------------|-----|-----|-----|-----|-----|------|-----|
|                  |    | 17.5         | 25  | 25  | 25  | 25  | 25  | 17.5 |     |
| Height<br>145 mm | 0° | 24           | 62  | 74  | 94  | 129 | 94  | 74   | 62  |
|                  |    | 24           | 75  | 91  | 113 | 166 | 113 | 91   | 75  |
|                  |    | 24           | 94  | 113 | 153 | 214 | 153 | 113  | 94  |
|                  |    | 24           | 127 | 150 | 203 | 281 | 203 | 150  | 127 |
|                  |    | 24           | 121 | 143 | 179 | 273 | 179 | 143  | 121 |

Support via feather key

|                  |    | Width 160 mm |    |    |    |    |    |      |    |
|------------------|----|--------------|----|----|----|----|----|------|----|
|                  |    | 17.5         | 25 | 25 | 25 | 25 | 25 | 17.5 |    |
| Height<br>145 mm | 0° | 24           | 48 | 53 | 63 | 75 | 63 | 53   | 48 |
|                  |    | 24           | 51 | 57 | 66 | 77 | 66 | 57   | 51 |
|                  |    | 24           | 49 | 54 | 62 | 73 | 62 | 54   | 49 |
|                  |    | 24           | 47 | 52 | 59 | 70 | 59 | 52   | 47 |
|                  |    | 24           | 46 | 49 | 57 | 68 | 57 | 49   | 46 |

|                  |    | Width 160 mm |     |     |     |     |     |      |     |
|------------------|----|--------------|-----|-----|-----|-----|-----|------|-----|
|                  |    | 17.5         | 25  | 25  | 25  | 25  | 25  | 17.5 |     |
| Height<br>145 mm | 5° | 24           | 62  | 74  | 94  | 129 | 94  | 74   | 62  |
|                  |    | 24           | 75  | 91  | 113 | 166 | 113 | 91   | 75  |
|                  |    | 24           | 95  | 114 | 151 | 214 | 151 | 114  | 95  |
|                  |    | 24           | 129 | 151 | 203 | 287 | 203 | 151  | 129 |
|                  |    | 24           | 123 | 143 | 186 | 280 | 186 | 143  | 123 |

|                  |    | Width 160 mm |    |    |    |    |    |      |    |
|------------------|----|--------------|----|----|----|----|----|------|----|
|                  |    | 17.5         | 25 | 25 | 25 | 25 | 25 | 17.5 |    |
| Height<br>145 mm | 5° | 24           | 50 | 58 | 70 | 80 | 70 | 58   | 50 |
|                  |    | 24           | 54 | 61 | 73 | 82 | 73 | 61   | 54 |
|                  |    | 24           | 53 | 60 | 69 | 78 | 69 | 60   | 53 |
|                  |    | 24           | 52 | 58 | 67 | 75 | 67 | 58   | 52 |
|                  |    | 24           | 50 | 56 | 65 | 73 | 65 | 56   | 50 |

|                  |     | Width 160 mm |     |     |     |     |     |      |     |
|------------------|-----|--------------|-----|-----|-----|-----|-----|------|-----|
|                  |     | 17.5         | 25  | 25  | 25  | 25  | 25  | 17.5 |     |
| Height<br>145 mm | 10° | 24           | 62  | 74  | 94  | 129 | 94  | 74   | 62  |
|                  |     | 24           | 74  | 92  | 112 | 166 | 112 | 92   | 74  |
|                  |     | 24           | 95  | 115 | 148 | 215 | 148 | 115  | 95  |
|                  |     | 24           | 130 | 151 | 204 | 293 | 204 | 151  | 130 |
|                  |     | 24           | 125 | 142 | 192 | 287 | 192 | 142  | 125 |

|                  |     | Width 160 mm |    |    |    |    |    |      |    |
|------------------|-----|--------------|----|----|----|----|----|------|----|
|                  |     | 17.5         | 25 | 25 | 25 | 25 | 25 | 17.5 |    |
| Height<br>145 mm | 10° | 24           | 53 | 62 | 77 | 86 | 77 | 62   | 53 |
|                  |     | 24           | 56 | 66 | 80 | 87 | 80 | 66   | 56 |
|                  |     | 24           | 57 | 65 | 77 | 84 | 77 | 65   | 57 |
|                  |     | 24           | 56 | 64 | 75 | 81 | 75 | 64   | 56 |
|                  |     | 24           | 55 | 62 | 73 | 79 | 73 | 62   | 55 |

|                  |     | Width 160 mm |     |     |     |     |     |      |     |
|------------------|-----|--------------|-----|-----|-----|-----|-----|------|-----|
|                  |     | 17.5         | 25  | 25  | 25  | 25  | 25  | 17.5 |     |
| Height<br>145 mm | 15° | 24           | 62  | 74  | 94  | 129 | 94  | 74   | 62  |
|                  |     | 24           | 74  | 92  | 112 | 166 | 112 | 92   | 74  |
|                  |     | 24           | 95  | 115 | 145 | 216 | 145 | 115  | 95  |
|                  |     | 24           | 132 | 151 | 204 | 299 | 204 | 151  | 132 |
|                  |     | 24           | 127 | 142 | 199 | 294 | 199 | 142  | 127 |

|                  |     | Width 160 mm |    |    |    |    |    |      |    |
|------------------|-----|--------------|----|----|----|----|----|------|----|
|                  |     | 17.5         | 25 | 25 | 25 | 25 | 25 | 17.5 |    |
| Height<br>145 mm | 15° | 24           | 56 | 67 | 84 | 91 | 84 | 67   | 56 |
|                  |     | 24           | 59 | 71 | 87 | 92 | 87 | 71   | 59 |
|                  |     | 24           | 60 | 71 | 84 | 89 | 84 | 71   | 60 |
|                  |     | 24           | 60 | 70 | 83 | 87 | 83 | 70   | 60 |
|                  |     | 24           | 60 | 69 | 81 | 84 | 81 | 69   | 60 |

|                  |     | Width 160 mm |     |     |     |     |     |      |     |
|------------------|-----|--------------|-----|-----|-----|-----|-----|------|-----|
|                  |     | 17.5         | 25  | 25  | 25  | 25  | 25  | 17.5 |     |
| Height<br>145 mm | 20° | 24           | 59  | 71  | 94  | 129 | 94  | 71   | 59  |
|                  |     | 24           | 72  | 89  | 113 | 168 | 113 | 89   | 72  |
|                  |     | 24           | 93  | 114 | 144 | 223 | 144 | 114  | 93  |
|                  |     | 24           | 127 | 148 | 200 | 292 | 200 | 148  | 127 |
|                  |     | 24           | 121 | 139 | 191 | 286 | 191 | 139  | 121 |

|                  |     | Width 160 mm |    |    |    |    |    |      |    |
|------------------|-----|--------------|----|----|----|----|----|------|----|
|                  |     | 17.5         | 25 | 25 | 25 | 25 | 25 | 17.5 |    |
| Height<br>145 mm | 20° | 24           | 58 | 72 | 91 | 96 | 91 | 72   | 58 |
|                  |     | 24           | 62 | 76 | 94 | 98 | 94 | 76   | 62 |
|                  |     | 24           | 64 | 76 | 91 | 95 | 91 | 76   | 64 |
|                  |     | 24           | 65 | 76 | 90 | 94 | 90 | 76   | 65 |
|                  |     | 24           | 64 | 75 | 88 | 92 | 88 | 75   | 64 |

|                  |     | Width 160 mm |     |     |     |     |     |     |     |
|------------------|-----|--------------|-----|-----|-----|-----|-----|-----|-----|
|                  |     | 18           | 25  | 25  | 25  | 25  | 25  | 18  |     |
| Height<br>145 mm | 25° | 24           | 56  | 69  | 93  | 129 | 93  | 69  | 56  |
|                  |     | 24           | 70  | 86  | 113 | 169 | 113 | 86  | 70  |
|                  |     | 24           | 91  | 112 | 143 | 229 | 143 | 112 | 91  |
|                  |     | 24           | 121 | 144 | 196 | 285 | 196 | 144 | 121 |
|                  |     | 24           | 115 | 136 | 184 | 279 | 184 | 136 | 115 |

|                  |     | Width 160 mm |    |    |     |     |     |    |    |
|------------------|-----|--------------|----|----|-----|-----|-----|----|----|
|                  |     | 18           | 25 | 25 | 25  | 25  | 25  | 18 |    |
| Height<br>145 mm | 25° | 24           | 60 | 74 | 98  | 101 | 98  | 74 | 60 |
|                  |     | 24           | 65 | 81 | 101 | 105 | 101 | 81 | 65 |
|                  |     | 24           | 67 | 82 | 98  | 101 | 98  | 82 | 67 |
|                  |     | 24           | 69 | 82 | 98  | 101 | 98  | 82 | 69 |
|                  |     | 24           | 68 | 81 | 96  | 99  | 96  | 81 | 68 |

# AERIAL CAM UNIT FCC-LV 2016.26.012./016.

## FORCE DIAGRAM

Support via cast shoulder

|                  |     | Width 160 mm |     |     |     |     |     |     |     |
|------------------|-----|--------------|-----|-----|-----|-----|-----|-----|-----|
|                  |     | 18           | 25  | 25  | 25  | 25  | 25  | 18  |     |
| Height<br>145 mm | 30° | 24           | 55  | 69  | 96  | 134 | 96  | 69  | 55  |
|                  |     | 24           | 70  | 86  | 118 | 177 | 118 | 86  | 70  |
|                  |     | 24           | 92  | 114 | 147 | 245 | 147 | 114 | 92  |
|                  |     | 24           | 120 | 146 | 200 | 289 | 200 | 146 | 120 |
|                  |     | 24           | 113 | 138 | 183 | 282 | 183 | 138 | 113 |

Support via feather key

|                  |     | Width 160 mm |    |    |     |     |     |    |    |
|------------------|-----|--------------|----|----|-----|-----|-----|----|----|
|                  |     | 18           | 25 | 25 | 25  | 25  | 25  | 18 |    |
| Height<br>145 mm | 30° | 24           | 64 | 81 | 105 | 107 | 105 | 81 | 64 |
|                  |     | 24           | 68 | 85 | 109 | 111 | 109 | 85 | 68 |
|                  |     | 24           | 71 | 87 | 106 | 108 | 106 | 87 | 71 |
|                  |     | 24           | 73 | 88 | 106 | 108 | 106 | 88 | 73 |
|                  |     | 24           | 72 | 87 | 104 | 106 | 104 | 87 | 72 |

|                  |     | Width 160 mm |     |     |     |     |     |     |     |
|------------------|-----|--------------|-----|-----|-----|-----|-----|-----|-----|
|                  |     | 18           | 25  | 25  | 25  | 25  | 25  | 18  |     |
| Height<br>145 mm | 35° | 24           | 56  | 71  | 102 | 144 | 102 | 71  | 56  |
|                  |     | 24           | 72  | 89  | 127 | 192 | 127 | 89  | 72  |
|                  |     | 24           | 96  | 120 | 157 | 270 | 157 | 120 | 96  |
|                  |     | 24           | 123 | 152 | 210 | 302 | 210 | 152 | 123 |
|                  |     | 24           | 114 | 144 | 188 | 294 | 188 | 144 | 114 |

|                  |     | Width 160 mm |    |    |     |     |     |    |    |
|------------------|-----|--------------|----|----|-----|-----|-----|----|----|
|                  |     | 18           | 25 | 25 | 25  | 25  | 25  | 18 |    |
| Height<br>145 mm | 35° | 24           | 61 | 78 | 105 | 109 | 105 | 78 | 61 |
|                  |     | 24           | 69 | 89 | 109 | 113 | 109 | 89 | 69 |
|                  |     | 24           | 74 | 92 | 109 | 112 | 109 | 92 | 74 |
|                  |     | 24           | 79 | 95 | 111 | 114 | 111 | 95 | 79 |
|                  |     | 24           | 77 | 93 | 109 | 112 | 109 | 93 | 77 |

|                  |     | Width 160 mm |     |     |     |     |     |     |     |
|------------------|-----|--------------|-----|-----|-----|-----|-----|-----|-----|
|                  |     | 18           | 25  | 25  | 25  | 25  | 25  | 18  |     |
| Height<br>145 mm | 40° | 24           | 55  | 72  | 107 | 151 | 107 | 72  | 55  |
|                  |     | 24           | 73  | 91  | 134 | 204 | 134 | 91  | 73  |
|                  |     | 24           | 98  | 125 | 164 | 291 | 164 | 125 | 98  |
|                  |     | 24           | 123 | 156 | 216 | 309 | 216 | 156 | 123 |
|                  |     | 24           | 113 | 148 | 189 | 300 | 189 | 148 | 113 |

|                  |     | Width 160 mm |    |     |     |     |     |     |    |
|------------------|-----|--------------|----|-----|-----|-----|-----|-----|----|
|                  |     | 18           | 25 | 25  | 25  | 25  | 25  | 18  |    |
| Height<br>145 mm | 40° | 24           | 61 | 79  | 105 | 111 | 105 | 79  | 61 |
|                  |     | 24           | 71 | 93  | 110 | 116 | 110 | 93  | 71 |
|                  |     | 24           | 78 | 98  | 112 | 117 | 112 | 98  | 78 |
|                  |     | 24           | 84 | 101 | 115 | 120 | 115 | 101 | 84 |
|                  |     | 24           | 83 | 100 | 114 | 118 | 114 | 100 | 83 |

|                  |     | Width 160 mm |     |     |     |     |     |     |     |
|------------------|-----|--------------|-----|-----|-----|-----|-----|-----|-----|
|                  |     | 18           | 25  | 25  | 25  | 25  | 25  | 18  |     |
| Height<br>145 mm | 45° | 24           | 53  | 71  | 110 | 156 | 110 | 71  | 53  |
|                  |     | 24           | 73  | 90  | 139 | 212 | 139 | 90  | 73  |
|                  |     | 24           | 99  | 126 | 168 | 309 | 168 | 126 | 99  |
|                  |     | 24           | 120 | 156 | 218 | 310 | 218 | 156 | 120 |
|                  |     | 24           | 109 | 149 | 186 | 301 | 186 | 149 | 109 |

|                  |     | Width 160 mm |    |     |     |     |     |     |    |
|------------------|-----|--------------|----|-----|-----|-----|-----|-----|----|
|                  |     | 18           | 25 | 25  | 25  | 25  | 25  | 18  |    |
| Height<br>145 mm | 45° | 28           | 58 | 76  | 105 | 113 | 105 | 76  | 58 |
|                  |     | 28           | 72 | 96  | 110 | 118 | 110 | 96  | 72 |
|                  |     | 28           | 81 | 103 | 115 | 122 | 115 | 103 | 81 |
|                  |     | 28           | 89 | 107 | 120 | 126 | 120 | 107 | 89 |
|                  |     | 28           | 88 | 106 | 118 | 124 | 118 | 106 | 88 |

|                  |     | Width 160 mm |     |     |     |     |     |     |     |
|------------------|-----|--------------|-----|-----|-----|-----|-----|-----|-----|
|                  |     | 18           | 25  | 25  | 25  | 25  | 25  | 18  |     |
| Height<br>145 mm | 50° | 28           | 52  | 68  | 108 | 152 | 108 | 68  | 52  |
|                  |     | 28           | 71  | 90  | 141 | 213 | 141 | 90  | 71  |
|                  |     | 28           | 97  | 126 | 169 | 313 | 169 | 126 | 97  |
|                  |     | 28           | 114 | 147 | 206 | 317 | 206 | 147 | 114 |
|                  |     | 28           | 101 | 133 | 170 | 295 | 170 | 133 | 101 |

|                  |     | Width 160 mm |    |     |     |     |     |     |    |
|------------------|-----|--------------|----|-----|-----|-----|-----|-----|----|
|                  |     | 18           | 25 | 25  | 25  | 25  | 25  | 18  |    |
| Height<br>145 mm | 50° | 24           | 58 | 71  | 106 | 123 | 106 | 71  | 58 |
|                  |     | 24           | 75 | 94  | 129 | 132 | 129 | 94  | 75 |
|                  |     | 24           | 88 | 114 | 136 | 145 | 136 | 114 | 88 |
|                  |     | 24           | 96 | 117 | 139 | 152 | 139 | 117 | 96 |
|                  |     | 24           | 92 | 112 | 129 | 137 | 129 | 112 | 92 |

|                  |     | Width 160 mm |     |     |     |     |     |     |     |
|------------------|-----|--------------|-----|-----|-----|-----|-----|-----|-----|
|                  |     | 18           | 25  | 25  | 25  | 25  | 25  | 18  |     |
| Height<br>145 mm | 55° | 24           | 51  | 65  | 105 | 148 | 105 | 65  | 51  |
|                  |     | 24           | 69  | 89  | 142 | 213 | 142 | 89  | 69  |
|                  |     | 24           | 95  | 125 | 171 | 316 | 171 | 125 | 95  |
|                  |     | 24           | 107 | 137 | 192 | 322 | 192 | 137 | 107 |
|                  |     | 24           | 91  | 115 | 153 | 295 | 153 | 115 | 91  |

|                  |     | Width 160 mm |     |     |     |     |     |     |     |
|------------------|-----|--------------|-----|-----|-----|-----|-----|-----|-----|
|                  |     | 18           | 25  | 25  | 25  | 25  | 25  | 18  |     |
| Height<br>145 mm | 55° | 24           | 55  | 65  | 105 | 133 | 105 | 65  | 55  |
|                  |     | 24           | 69  | 89  | 142 | 146 | 142 | 89  | 69  |
|                  |     | 24           | 95  | 125 | 158 | 169 | 158 | 125 | 95  |
|                  |     | 24           | 104 | 127 | 158 | 178 | 158 | 127 | 104 |
|                  |     | 24           | 91  | 115 | 139 | 149 | 139 | 115 | 91  |

# AERIAL CAM UNIT FCC-LV 2016.26.012./016.

## FORCE DIAGRAM



Support via cast shoulder

| 60°              |    | Width 160 mm |     |     |     |     |     |     |
|------------------|----|--------------|-----|-----|-----|-----|-----|-----|
|                  |    | 18           | 25  | 25  | 25  | 25  | 25  | 18  |
| Height<br>145 mm | 24 | 50           | 61  | 103 | 145 | 103 | 61  | 50  |
|                  | 24 | 67           | 90  | 145 | 215 | 145 | 90  | 67  |
|                  | 24 | 93           | 125 | 174 | 314 | 174 | 125 | 93  |
|                  | 24 | 100          | 127 | 179 | 322 | 179 | 127 | 100 |
|                  | 24 | 81           | 96  | 135 | 291 | 135 | 96  | 81  |

Support via feather key

| 60°              |    | Width 160 mm |     |     |     |     |     |    |
|------------------|----|--------------|-----|-----|-----|-----|-----|----|
|                  |    | 18           | 25  | 25  | 25  | 25  | 25  | 18 |
| Height<br>145 mm | 24 | 50           | 60  | 100 | 141 | 100 | 60  | 50 |
|                  | 24 | 65           | 87  | 141 | 161 | 141 | 87  | 65 |
|                  | 24 | 91           | 122 | 169 | 192 | 169 | 122 | 91 |
|                  | 24 | 97           | 123 | 174 | 203 | 174 | 123 | 97 |
|                  | 24 | 79           | 94  | 131 | 162 | 131 | 94  | 79 |

| 65°              |    | Width 160 mm |     |     |     |     |     |     |
|------------------|----|--------------|-----|-----|-----|-----|-----|-----|
|                  |    | 18           | 25  | 25  | 25  | 25  | 25  | 18  |
| Height<br>145 mm | 24 | 50           | 61  | 97  | 137 | 97  | 61  | 50  |
|                  | 24 | 68           | 90  | 142 | 209 | 142 | 90  | 68  |
|                  | 24 | 94           | 128 | 179 | 316 | 179 | 128 | 94  |
|                  | 24 | 102          | 128 | 181 | 314 | 181 | 128 | 102 |
|                  | 24 | 83           | 101 | 137 | 268 | 137 | 101 | 83  |

| 65°              |    | Width 160 mm |     |     |     |     |     |     |
|------------------|----|--------------|-----|-----|-----|-----|-----|-----|
|                  |    | 18           | 25  | 25  | 25  | 25  | 25  | 18  |
| Height<br>145 mm | 24 | 50           | 61  | 97  | 137 | 97  | 61  | 50  |
|                  | 24 | 68           | 90  | 142 | 191 | 142 | 90  | 68  |
|                  | 24 | 94           | 128 | 179 | 258 | 179 | 128 | 94  |
|                  | 24 | 102          | 128 | 181 | 252 | 181 | 128 | 102 |
|                  | 24 | 83           | 101 | 137 | 195 | 137 | 101 | 83  |

| 70°              |    | Width 160 mm |     |     |     |     |     |     |
|------------------|----|--------------|-----|-----|-----|-----|-----|-----|
|                  |    | 18           | 25  | 25  | 25  | 25  | 25  | 18  |
| Height<br>145 mm | 24 | 51           | 62  | 93  | 131 | 93  | 62  | 51  |
|                  | 24 | 70           | 92  | 140 | 206 | 140 | 92  | 70  |
|                  | 24 | 97           | 132 | 186 | 314 | 186 | 132 | 97  |
|                  | 24 | 105          | 131 | 185 | 299 | 185 | 131 | 105 |
|                  | 24 | 85           | 108 | 140 | 235 | 140 | 108 | 85  |

| 70°              |    | Width 160 mm |     |     |     |     |     |     |
|------------------|----|--------------|-----|-----|-----|-----|-----|-----|
|                  |    | 18           | 25  | 25  | 25  | 25  | 25  | 18  |
| Height<br>145 mm | 24 | 53           | 65  | 96  | 136 | 96  | 65  | 53  |
|                  | 24 | 72           | 96  | 146 | 214 | 146 | 96  | 72  |
|                  | 24 | 100          | 137 | 193 | 280 | 193 | 137 | 100 |
|                  | 24 | 109          | 137 | 193 | 280 | 193 | 137 | 109 |
|                  | 24 | 88           | 112 | 146 | 228 | 146 | 112 | 88  |

| 75°              |    | Width 160 mm |     |     |     |     |     |     |
|------------------|----|--------------|-----|-----|-----|-----|-----|-----|
|                  |    | 18           | 25  | 25  | 25  | 25  | 25  | 18  |
| Height<br>145 mm | 24 | 51           | 62  | 86  | 121 | 86  | 62  | 51  |
|                  | 24 | 70           | 92  | 135 | 197 | 135 | 92  | 70  |
|                  | 24 | 96           | 132 | 189 | 304 | 189 | 132 | 96  |
|                  | 24 | 105          | 131 | 185 | 276 | 185 | 131 | 105 |
|                  | 24 | 85           | 112 | 140 | 202 | 140 | 112 | 85  |

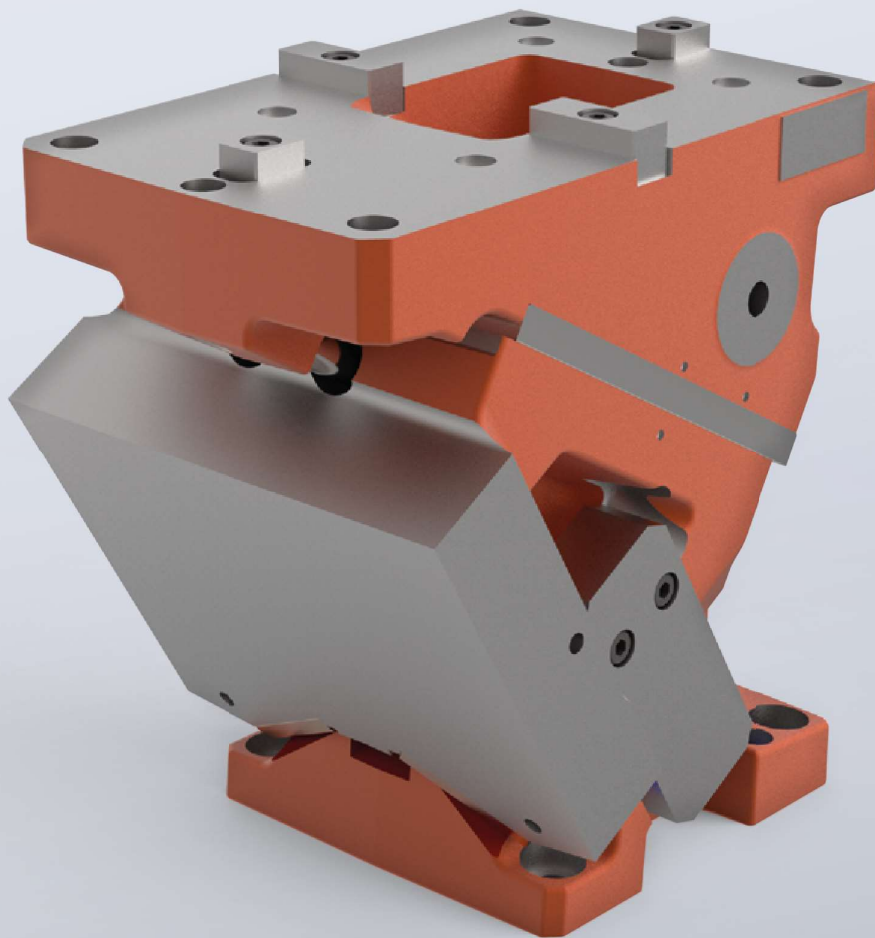
| 75°              |    | Width 160 mm |     |     |     |     |     |     |
|------------------|----|--------------|-----|-----|-----|-----|-----|-----|
|                  |    | 18           | 25  | 25  | 25  | 25  | 25  | 18  |
| Height<br>145 mm | 24 | 53           | 68  | 94  | 133 | 94  | 68  | 53  |
|                  | 24 | 77           | 101 | 149 | 217 | 149 | 101 | 77  |
|                  | 24 | 106          | 146 | 209 | 280 | 209 | 146 | 106 |
|                  | 24 | 116          | 145 | 204 | 280 | 204 | 145 | 116 |
|                  | 24 | 94           | 123 | 155 | 223 | 155 | 123 | 94  |



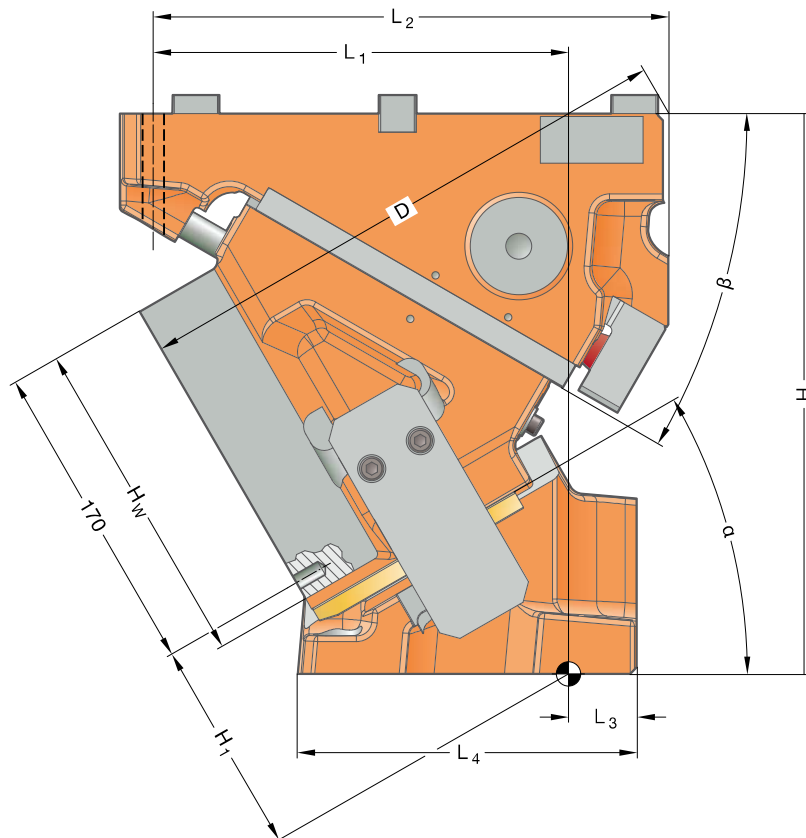
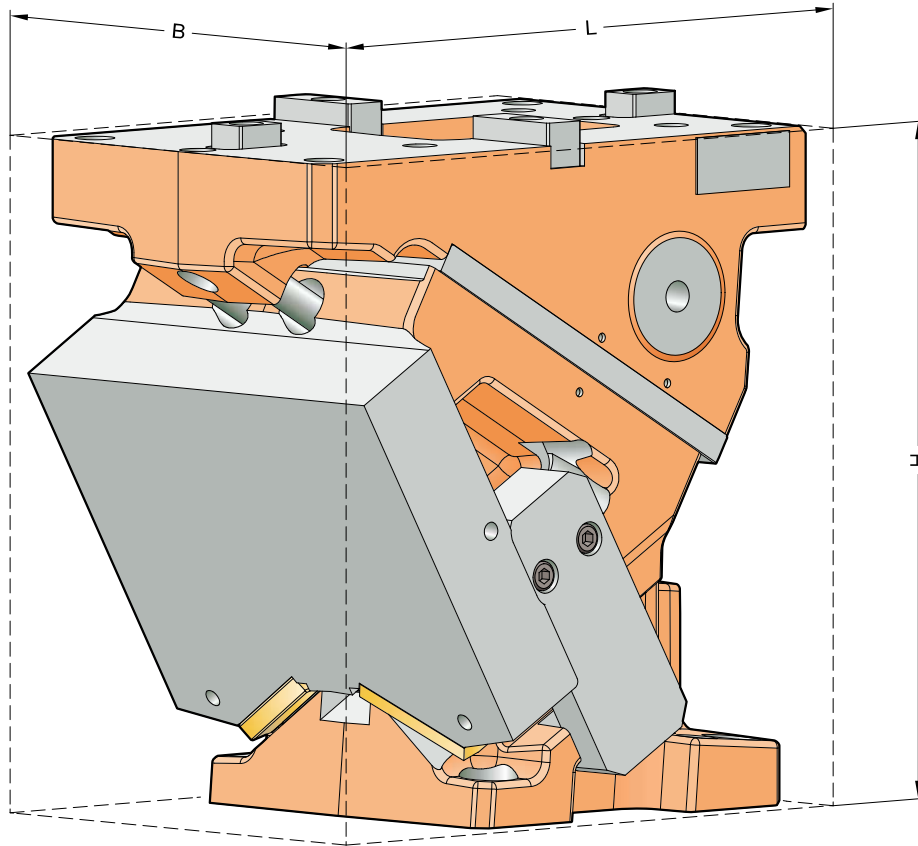


AERIAL CAM UNIT FCC-LV  
**2016.26.018./022.**

**Working width:** 185/220 mm  
**Performance class:** 450 kN

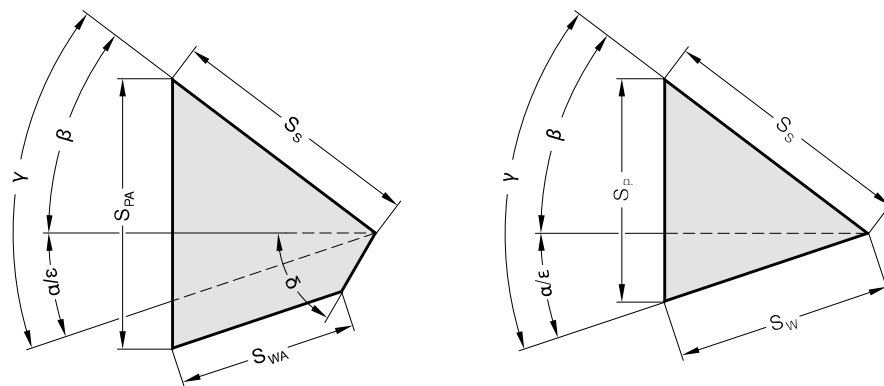


AERIAL CAM UNIT FCC-LV 2016.26.018./022.  
**SIZE TABLE**



# AERIAL CAM UNIT FCC-LV 2016.26.018./022.

## SIZE TABLE



| Order No               | L<br>[mm] | B<br>[mm] | H<br>[mm] | H <sub>1</sub><br>[mm] | H <sub>w</sub><br>[mm] | L <sub>1</sub><br>[mm] | L <sub>2</sub><br>[mm] | L <sub>3</sub><br>[mm] | L <sub>4</sub><br>[mm] | D<br>[mm] | α<br>[°] | β<br>[°] | δ<br>[°] | S <sub>w</sub> *<br>[mm] | S <sub>wa</sub> *<br>[mm] | S <sub>s</sub><br>[mm] | S <sub>p</sub> *<br>[mm] | S <sub>fa</sub> *<br>[mm] |
|------------------------|-----------|-----------|-----------|------------------------|------------------------|------------------------|------------------------|------------------------|------------------------|-----------|----------|----------|----------|--------------------------|---------------------------|------------------------|--------------------------|---------------------------|
| 2026.26.018.00.1000.00 | 282       | 185       | 300       | 70                     | 160                    | 161                    | 257                    | 40                     | 217                    | 275,5     | 0        | 50       | 50       | (32)                     | 25,7                      | 50                     | (38)                     | 46,0                      |
| 2026.26.022.00.1000.00 |           | 220       |           |                        |                        |                        |                        |                        |                        |           |          |          |          |                          |                           |                        |                          |                           |
| 2026.26.018.05.1000.00 | 285       | 185       | 300       | 79,61                  | 160                    | 179                    | 267                    | 40                     | 223                    | 289,43    | 5        | 45       | 55       | (35)                     | 29,7                      | 50                     | (38)                     | 46,1                      |
| 2026.26.022.05.1000.00 |           | 220       |           |                        |                        |                        |                        |                        |                        |           |          |          |          |                          |                           |                        |                          |                           |
| 2026.26.018.10.1000.00 | 292       | 185       | 300       | 90,39                  | 160                    | 198                    | 267                    | 40                     | 232                    | 300,62    | 10       | 40       | 60       | (39)                     | 33,8                      | 50                     | (39)                     | 46,7                      |
| 2026.26.022.10.1000.00 |           | 220       |           |                        |                        |                        |                        |                        |                        |           |          |          |          |                          |                           |                        |                          |                           |
| 2026.26.018.15.1000.00 | 298       | 185       | 300       | 100,12                 | 160                    | 209                    | 277                    | 40                     | 228                    | 309,32    | 15       | 35       | 65       | (42)                     | 38,0                      | 50                     | (40)                     | 47,6                      |
| 2026.26.022.15.1000.00 |           | 220       |           |                        |                        |                        |                        |                        |                        |           |          |          |          |                          |                           |                        |                          |                           |
| 2026.26.018.20.1000.00 | 282       | 185       | 300       | 100,21                 | 160                    | 205                    | 267                    | 40                     | 201                    | 295,54    | 20       | 40       | 50       | (41)                     | 33,9                      | 50                     | (46)                     | 51,4                      |
| 2026.26.022.20.1000.00 |           | 220       |           |                        |                        |                        |                        |                        |                        |           |          |          |          |                          |                           |                        |                          |                           |
| 2026.26.018.25.1000.00 | 295       | 185       | 300       | 110,5                  | 160                    | 226                    | 277                    | 40                     | 199                    | 300,74    | 25       | 35       | 55       | (45)                     | 38,9                      | 50                     | (48)                     | 53,3                      |
| 2026.26.022.25.1000.00 |           | 220       |           |                        |                        |                        |                        |                        |                        |           |          |          |          |                          |                           |                        |                          |                           |
| 2026.26.018.30.1000.00 | 294       | 185       | 300       | 110,99                 | 160                    | 225                    | 282                    | 40                     | 181                    | 298,1     | 30       | 30       | 60       | (45)                     | 39,2                      | 45                     | (45)                     | 50,8                      |
| 2026.26.022.30.1000.00 |           | 220       |           |                        |                        |                        |                        |                        |                        |           |          |          |          |                          |                           |                        |                          |                           |
| 2026.26.018.35.1000.00 | 304       | 185       | 300       | 118,78                 | 160                    | 243                    | 287                    | 40                     | 178                    | 297,65    | 35       | 25       | 65       | (50)                     | 44,6                      | 45                     | (48)                     | 53,7                      |
| 2026.26.022.35.1000.00 |           | 220       |           |                        |                        |                        |                        |                        |                        |           |          |          |          |                          |                           |                        |                          |                           |
| 2026.26.018.40.1000.00 | 307       | 185       | 300       | 120,36                 | 160                    | 220                    | 282                    | 40                     | 170                    | 316,9     | 40       | 30       | 60       | (51)                     | 44,3                      | 45                     | (55)                     | 59,7                      |
| 2026.26.022.40.1000.00 |           | 220       |           |                        |                        |                        |                        |                        |                        |           |          |          |          |                          |                           |                        |                          |                           |
| 2026.26.018.45.1000.00 | 305       | 185       | 300       | 120,46                 | 160                    | 230                    | 287                    | 40                     | 159                    | 313,24    | 45       | 25       | 65       | (58)                     | 51,7                      | 45                     | (60)                     | 64,6                      |
| 2026.26.022.45.1000.00 |           | 220       |           |                        |                        |                        |                        |                        |                        |           |          |          |          |                          |                           |                        |                          |                           |
| 2026.26.018.50.1000.00 | 309       | 185       | 300       | 129,85                 | 160                    | 256                    | 282                    | 40                     | 165                    | 299,19    | 50       | 20       | -        | 48,2                     | -                         | 33                     | 48,2                     | -                         |
| 2026.26.022.50.1000.00 |           | 220       |           |                        |                        |                        |                        |                        |                        |           |          |          |          |                          |                           |                        |                          |                           |
| 2026.26.018.55.1000.00 | 324       | 185       | 300       | 127,42                 | 160                    | 265                    | 282                    | 40                     | 153                    | 292,39    | 55       | 15       | -        | 55,6                     | -                         | 33                     | 54,1                     | -                         |
| 2026.26.022.55.1000.00 |           | 220       |           |                        |                        |                        |                        |                        |                        |           |          |          |          |                          |                           |                        |                          |                           |
| 2026.26.018.60.1000.00 | 318       | 185       | 300       | 111,32                 | 160                    | 265                    | 282                    | 40                     | 135                    | 298,9     | 60       | 20       | -        | 54,5                     | -                         | 29                     | 57,1                     | -                         |
| 2026.26.022.60.1000.00 |           | 220       |           |                        |                        |                        |                        |                        |                        |           |          |          |          |                          |                           |                        |                          |                           |
| 2026.26.018.65.1000.00 | 338       | 185       | 300       | 111,09                 | 160                    | 279                    | 282                    | 40                     | 129                    | 290,06    | 65       | 15       | -        | 66,3                     | -                         | 29                     | 67,6                     | -                         |
| 2026.26.022.65.1000.00 |           | 220       |           |                        |                        |                        |                        |                        |                        |           |          |          |          |                          |                           |                        |                          |                           |
| 2026.26.018.70.1000.00 | 341       | 185       | 300       | 101,58                 | 160                    | 286                    | 277                    | 40                     | 125                    | 278,47    | 70       | 10       | -        | 63,3                     | -                         | 22                     | 63,3                     | -                         |
| 2026.26.022.70.1000.00 |           | 220       |           |                        |                        |                        |                        |                        |                        |           |          |          |          |                          |                           |                        |                          |                           |
| 2026.26.018.75.1000.00 | 361       | 185       | 300       | 96,88                  | 160                    | 300                    | 272                    | 40                     | 118                    | 273,76    | 75       | 5        | -        | 69,3                     | -                         | 18                     | 68,5                     | -                         |
| 2026.26.022.75.1000.00 |           | 220       |           |                        |                        |                        |                        |                        |                        |           |          |          |          |                          |                           |                        |                          |                           |

### Fastening

Hexagon socket head cap screws DIN EN ISO 4762 / Strength class min. 8.8  
Dowel pins DIN EN ISO 8735

### Cam base:

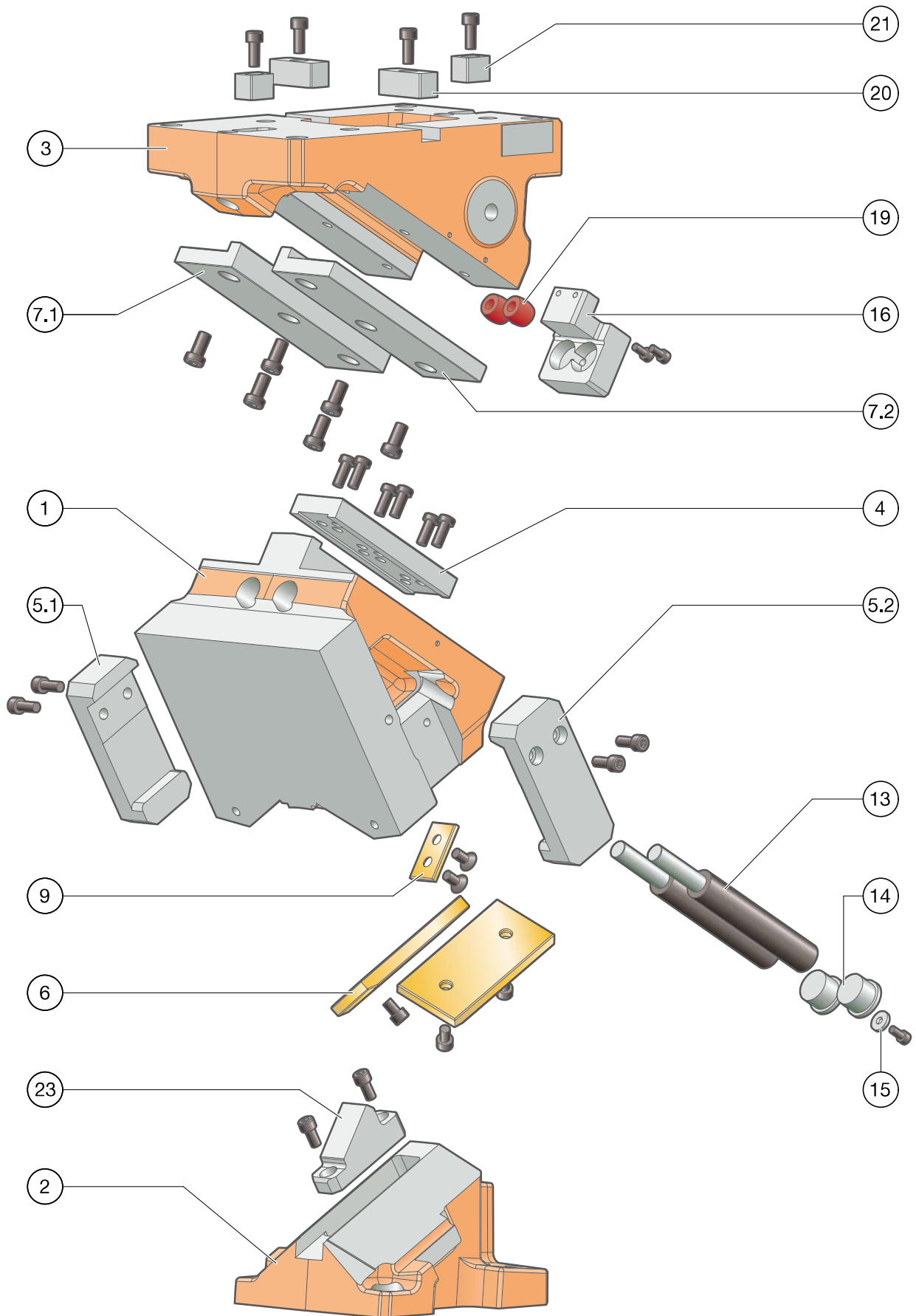
4xM16  
2x ø16

### Driver:

4xM16  
2x ø16

# AERIAL CAM UNIT FCC-LV 2016.26.018./022.

## EXPLODED VIEW



# AERIAL CAM UNIT FCC-LV 2016.26.018./022.

## PARTS LIST



| Item No.        | Pcs. | Designation                  | Material                    | tuned | Spare part |
|-----------------|------|------------------------------|-----------------------------|-------|------------|
| 1               | 1    | Cam slider                   | EN-JS-1060                  | --    | --         |
| 2               | 1    | Driver                       | EN-JS-1060                  | --    | --         |
| 3               | 1    | Cam base                     | EN-JS-1060                  | --    | --         |
| 4               | 1    | Centre guide                 | 1.2379                      | --    | x          |
| 5.1             | 1    | mechanical retraction, left  | 1.1191 with sinter layer    | x     | x          |
| 5.2             | 1    | mechanical retraction, right | 1.1191 with sinter layer    | x     | x          |
| 6               | 2    | Sliding plate                | Bronze with solid lubricant | --    | x          |
| 7.1             | 1    | L-guide, left                | 1.1191 with sinter layer    | x     | x          |
| 7.2             | 1    | L-guide, right               | 1.1191 with sinter layer    | x     | x          |
| 8               |      |                              |                             |       |            |
| 9               | 1    | Sliding plate                | Bronze with solid lubricant | --    | x          |
| 10              |      |                              |                             |       |            |
| 11              |      |                              |                             |       |            |
| 12              |      |                              |                             |       |            |
| 13              | 2    | Gas spring                   | 2487.12.00.320.□□□          | --    | x          |
| 14              | 2    | Locking tappet               | 1.7131                      | --    | x          |
| 15              | 1    | Locking tappet pin           |                             |       | x          |
| 16              | 1    | Slide stop                   | 1.1191                      | --    | x          |
| 17 (not shown)  | 1    | Spacer                       |                             |       | x          |
| 18 (not shown)  | 1    | Lockout system               | 1.1191                      | --    | x          |
| 19              | 2    | Damper                       | Elastomer                   | --    | x          |
| 20              | 2    | Feather key (T-nut)          | 1.1191                      | --    | x          |
| 21              | 2    | Feather key (T-nut)          | 1.1191                      | --    | x          |
| 22              |      |                              |                             |       |            |
| 23              | 1    | pre-acceleration             | 1.2379                      | --    | x          |
| 24* (not shown) | 2    | Spacer                       | 1.1191                      | --    | x          |

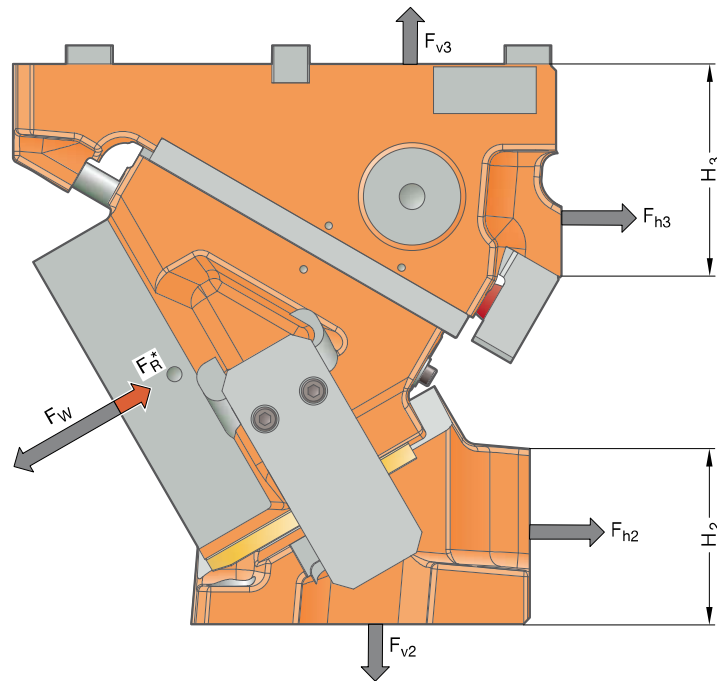
\* not installed at all angles

For inquiries or when ordering spare parts (x), we require the following data:

- Cam unit order no.
- Cam unit serial number
- Item No. / Designation / Spare part

# AERIAL CAM UNIT FCC-LV 2016.26.018./022.

## SYSTEM AND SURROUNDING FORCES



All force specifications in this catalogue of the Series 2016.26 are pre-assigned values that provide a higher safety factor.

| Order No               | $\alpha$<br>[°] | $F_w$<br>[kN] | $F_R^*$<br>[kN] | $F_{h2}$<br>[kN] | $F_{v2}$<br>[kN] | $F_{h3}$<br>[kN] | $F_{v3}$<br>[kN] | $H_2$<br>[mm] | $H_3$<br>[mm] |
|------------------------|-----------------|---------------|-----------------|------------------|------------------|------------------|------------------|---------------|---------------|
| 2016.26.0□□.00.1000.00 | 0               | 449           | 40              | -33              | 465              | 482              | 465              | 40            | 187           |
| 2016.26.0□□.05.1000.00 | 5               | 458           | 40              | 8                | 476              | 448              | 515              | 53            | 170           |
| 2016.26.0□□.10.1000.00 | 10              | 467           | 40              | 51               | 482              | 409              | 563              | 62            | 152           |
| 2016.26.0□□.15.1000.00 | 15              | 476           | 40              | 94               | 485              | 366              | 608              | 76            | 134           |
| 2016.26.0□□.20.1000.00 | 20              | 510           | 40              | 100              | 348              | 379              | 522              | 70            | 152           |
| 2016.26.0□□.25.1000.00 | 25              | 515           | 40              | 131              | 341              | 336              | 559              | 80            | 134           |
| 2016.26.0□□.30.1000.00 | 30              | 513           | 40              | 160              | 327              | 285              | 584              | 94            | 113           |
| 2016.26.0□□.35.1000.00 | 35              | 522           | 40              | 191              | 318              | 237              | 617              | 104           | 96            |
| 2016.26.0□□.40.1000.00 | 40              | 519           | 40              | 141              | 193              | 257              | 527              | 107           | 113           |
| 2016.26.0□□.45.1000.00 | 45              | 479           | 40              | 145              | 167              | 194              | 505              | 120           | 96            |
| 2016.26.0□□.50.1000.00 | 50              | 525           | 40              | 174              | 168              | 163              | 570              | 125           | 75            |
| 2016.26.0□□.55.1000.00 | 55              | 528           | 40              | 189              | 153              | 114              | 586              | 137           | 63            |
| 2016.26.0□□.60.1000.00 | 60              | 530           | 40              | 112              | 75               | 153              | 534              | 114           | 75            |
| 2016.26.0□□.65.1000.00 | 65              | 532           | 40              | 118              | 66               | 106              | 548              | 130           | 63            |
| 2016.26.0□□.70.1000.00 | 70              | 533           | 40              | 124              | 55               | 58               | 556              | 126           | 52            |
| 2016.26.0□□.75.1000.00 | 75              | 527           | 40              | 127              | 44               | 10               | 553              | 136           | 46            |

\* Retraction force values correspond to the spring-generated retraction force at the working point

The forces  $F_{h2}$ ,  $F_{v2}$  as well as  $F_{h3}$ ,  $F_{v3}$  act on the tool environment at maximum working force  $F_w$ .

# AERIAL CAM UNIT FCC-LV 2016.26.018./022.

## FORCE DIAGRAM



Support via cast shoulder

|                  |    | Width 220 mm |     |     |     |     |     |      |     |
|------------------|----|--------------|-----|-----|-----|-----|-----|------|-----|
|                  |    | 17.5         | 40  | 40  | 25  | 40  | 40  | 17.5 |     |
| Height<br>160 mm | 0° | 32           | 93  | 114 | 157 | 210 | 157 | 114  | 93  |
|                  |    | 32           | 116 | 137 | 192 | 270 | 192 | 137  | 116 |
|                  |    | 32           | 149 | 176 | 253 | 360 | 253 | 176  | 149 |
|                  |    | 32           | 210 | 248 | 314 | 449 | 314 | 248  | 210 |
|                  |    | 32           | 196 | 231 | 286 | 382 | 286 | 231  | 196 |

Support via feather key

|                  |    | Width 220 mm |    |    |    |    |    |      |    |
|------------------|----|--------------|----|----|----|----|----|------|----|
|                  |    | 17.5         | 40 | 40 | 25 | 40 | 40 | 17.5 |    |
| Height<br>160 mm | 0° | 32           | 50 | 59 | 78 | 91 | 78 | 59   | 50 |
|                  |    | 32           | 53 | 63 | 81 | 94 | 81 | 63   | 53 |
|                  |    | 32           | 52 | 61 | 77 | 89 | 77 | 61   | 52 |
|                  |    | 32           | 51 | 59 | 74 | 85 | 74 | 59   | 51 |
|                  |    | 32           | 50 | 56 | 71 | 82 | 71 | 56   | 50 |

|                  |    | Width 220 mm |     |     |     |     |     |      |     |
|------------------|----|--------------|-----|-----|-----|-----|-----|------|-----|
|                  |    | 17.5         | 40  | 40  | 25  | 40  | 40  | 17.5 |     |
| Height<br>160 mm | 5° | 32           | 93  | 114 | 156 | 210 | 156 | 114  | 93  |
|                  |    | 32           | 116 | 137 | 193 | 271 | 193 | 137  | 116 |
|                  |    | 32           | 149 | 176 | 253 | 361 | 253 | 176  | 149 |
|                  |    | 32           | 209 | 246 | 316 | 458 | 316 | 246  | 209 |
|                  |    | 32           | 187 | 220 | 283 | 381 | 283 | 220  | 187 |

|                  |    | Width 220 mm |    |    |    |     |    |      |    |
|------------------|----|--------------|----|----|----|-----|----|------|----|
|                  |    | 17.5         | 40 | 40 | 25 | 40  | 40 | 17.5 |    |
| Height<br>160 mm | 5° | 32           | 55 | 66 | 88 | 98  | 88 | 66   | 55 |
|                  |    | 32           | 58 | 69 | 91 | 100 | 91 | 69   | 58 |
|                  |    | 32           | 57 | 68 | 88 | 96  | 88 | 68   | 57 |
|                  |    | 32           | 56 | 66 | 85 | 93  | 85 | 66   | 56 |
|                  |    | 32           | 55 | 63 | 82 | 90  | 82 | 63   | 55 |

|                  |     | Width 220 mm |     |     |     |     |     |      |     |
|------------------|-----|--------------|-----|-----|-----|-----|-----|------|-----|
|                  |     | 17.5         | 40  | 40  | 25  | 40  | 40  | 17.5 |     |
| Height<br>160 mm | 10° | 32           | 94  | 114 | 155 | 211 | 155 | 114  | 94  |
|                  |     | 32           | 116 | 137 | 194 | 272 | 194 | 137  | 116 |
|                  |     | 32           | 150 | 177 | 254 | 363 | 254 | 177  | 150 |
|                  |     | 32           | 207 | 244 | 318 | 467 | 318 | 244  | 207 |
|                  |     | 32           | 178 | 210 | 279 | 380 | 279 | 210  | 178 |

|                  |     | Width 220 mm |    |    |     |     |     |      |    |
|------------------|-----|--------------|----|----|-----|-----|-----|------|----|
|                  |     | 17.5         | 40 | 40 | 25  | 40  | 40  | 17.5 |    |
| Height<br>160 mm | 10° | 32           | 60 | 73 | 98  | 104 | 98  | 73   | 60 |
|                  |     | 32           | 62 | 76 | 102 | 107 | 102 | 76   | 62 |
|                  |     | 32           | 62 | 74 | 98  | 103 | 98  | 74   | 62 |
|                  |     | 32           | 62 | 73 | 96  | 101 | 96  | 73   | 62 |
|                  |     | 32           | 61 | 70 | 92  | 98  | 92  | 70   | 61 |

|                  |     | Width 220 mm |     |     |     |     |     |      |     |
|------------------|-----|--------------|-----|-----|-----|-----|-----|------|-----|
|                  |     | 17.5         | 40  | 40  | 25  | 40  | 40  | 17.5 |     |
| Height<br>160 mm | 15° | 32           | 94  | 114 | 154 | 211 | 154 | 114  | 94  |
|                  |     | 32           | 116 | 137 | 195 | 273 | 195 | 137  | 116 |
|                  |     | 32           | 150 | 177 | 254 | 364 | 254 | 177  | 150 |
|                  |     | 32           | 206 | 243 | 320 | 476 | 320 | 243  | 206 |
|                  |     | 32           | 169 | 199 | 276 | 380 | 276 | 199  | 169 |

|                  |     | Width 220 mm |    |    |     |     |     |      |    |
|------------------|-----|--------------|----|----|-----|-----|-----|------|----|
|                  |     | 17.5         | 40 | 40 | 25  | 40  | 40  | 17.5 |    |
| Height<br>160 mm | 15° | 32           | 65 | 81 | 107 | 111 | 107 | 81   | 65 |
|                  |     | 32           | 67 | 82 | 112 | 113 | 112 | 82   | 67 |
|                  |     | 32           | 67 | 81 | 108 | 110 | 108 | 81   | 67 |
|                  |     | 32           | 67 | 80 | 107 | 109 | 107 | 80   | 67 |
|                  |     | 32           | 66 | 78 | 103 | 106 | 103 | 78   | 66 |

|                  |     | Width 220 mm |     |     |     |     |     |      |     |
|------------------|-----|--------------|-----|-----|-----|-----|-----|------|-----|
|                  |     | 17.5         | 40  | 40  | 25  | 40  | 40  | 17.5 |     |
| Height<br>160 mm | 20° | 32           | 93  | 114 | 157 | 220 | 157 | 114  | 93  |
|                  |     | 32           | 115 | 140 | 204 | 300 | 204 | 140  | 115 |
|                  |     | 32           | 149 | 186 | 277 | 385 | 277 | 186  | 149 |
|                  |     | 32           | 190 | 235 | 335 | 510 | 335 | 235  | 190 |
|                  |     | 32           | 153 | 184 | 263 | 380 | 263 | 184  | 153 |

|                  |     | Width 220 mm |    |    |     |     |     |      |    |
|------------------|-----|--------------|----|----|-----|-----|-----|------|----|
|                  |     | 17.5         | 40 | 40 | 25  | 40  | 40  | 17.5 |    |
| Height<br>160 mm | 20° | 32           | 69 | 87 | 122 | 128 | 122 | 87   | 69 |
|                  |     | 32           | 71 | 90 | 127 | 134 | 127 | 90   | 71 |
|                  |     | 32           | 72 | 89 | 123 | 129 | 123 | 89   | 72 |
|                  |     | 32           | 72 | 87 | 121 | 125 | 121 | 87   | 72 |
|                  |     | 32           | 70 | 84 | 115 | 121 | 115 | 84   | 70 |

|                  |     | Width 220 mm |     |     |     |     |     |      |     |
|------------------|-----|--------------|-----|-----|-----|-----|-----|------|-----|
|                  |     | 17.5         | 40  | 40  | 25  | 40  | 40  | 17.5 |     |
| Height<br>160 mm | 25° | 32           | 91  | 114 | 160 | 220 | 160 | 114  | 91  |
|                  |     | 32           | 114 | 143 | 213 | 306 | 213 | 143  | 114 |
|                  |     | 32           | 148 | 194 | 300 | 378 | 300 | 194  | 148 |
|                  |     | 32           | 174 | 227 | 350 | 515 | 350 | 227  | 174 |
|                  |     | 32           | 137 | 169 | 249 | 354 | 249 | 169  | 137 |

|                  |     | Width 220 mm |    |    |     |     |     |      |    |
|------------------|-----|--------------|----|----|-----|-----|-----|------|----|
|                  |     | 17.5         | 40 | 40 | 25  | 40  | 40  | 17.5 |    |
| Height<br>160 mm | 25° | 32           | 74 | 94 | 137 | 145 | 137 | 94   | 74 |
|                  |     | 32           | 76 | 97 | 143 | 154 | 143 | 97   | 76 |
|                  |     | 32           | 77 | 97 | 138 | 148 | 138 | 97   | 77 |
|                  |     | 32           | 76 | 95 | 135 | 142 | 135 | 95   | 76 |
|                  |     | 32           | 73 | 90 | 127 | 135 | 127 | 90   | 73 |



# AERIAL CAM UNIT FCC-LV 2016.26.018./022.

## FORCE DIAGRAM

Support via cast shoulder

| 30°           | Width 220 mm |     |     |     |     |     |      |     |
|---------------|--------------|-----|-----|-----|-----|-----|------|-----|
|               | 17.5         | 40  | 40  | 25  | 40  | 40  | 17.5 |     |
| Height 160 mm | 32           | 90  | 113 | 164 | 217 | 164 | 113  | 90  |
|               | 32           | 113 | 145 | 222 | 313 | 222 | 145  | 113 |
|               | 32           | 146 | 202 | 322 | 376 | 322 | 202  | 146 |
|               | 32           | 158 | 218 | 365 | 513 | 365 | 218  | 158 |
|               | 32           | 122 | 154 | 236 | 331 | 236 | 154  | 122 |

Support via feather key

| 30°           | Width 220 mm |    |     |     |     |     |      |    |
|---------------|--------------|----|-----|-----|-----|-----|------|----|
|               | 17.5         | 40 | 40  | 25  | 40  | 40  | 17.5 |    |
| Height 160 mm | 32           | 78 | 101 | 151 | 162 | 151 | 101  | 78 |
|               | 32           | 81 | 105 | 158 | 174 | 158 | 105  | 81 |
|               | 32           | 82 | 105 | 153 | 166 | 153 | 105  | 82 |
|               | 32           | 80 | 102 | 149 | 159 | 149 | 102  | 80 |
|               | 32           | 77 | 96  | 139 | 149 | 139 | 96   | 77 |

| 35°           | Width 220 mm |     |     |     |     |     |      |     |
|---------------|--------------|-----|-----|-----|-----|-----|------|-----|
|               | 17.5         | 40  | 40  | 25  | 40  | 40  | 17.5 |     |
| Height 160 mm | 32           | 85  | 106 | 153 | 215 | 153 | 106  | 85  |
|               | 32           | 108 | 138 | 213 | 316 | 213 | 138  | 108 |
|               | 32           | 141 | 193 | 305 | 406 | 305 | 193  | 141 |
|               | 32           | 150 | 210 | 345 | 522 | 345 | 210  | 150 |
|               | 32           | 121 | 153 | 234 | 348 | 234 | 153  | 121 |

| 35°           | Width 220 mm |    |     |     |     |     |      |    |
|---------------|--------------|----|-----|-----|-----|-----|------|----|
|               | 17.5         | 40 | 40  | 25  | 40  | 40  | 17.5 |    |
| Height 160 mm | 32           | 85 | 106 | 153 | 172 | 153 | 106  | 85 |
|               | 32           | 90 | 117 | 172 | 185 | 172 | 117  | 90 |
|               | 32           | 92 | 121 | 167 | 178 | 167 | 121  | 92 |
|               | 32           | 92 | 120 | 165 | 174 | 165 | 120  | 92 |
|               | 32           | 90 | 114 | 156 | 165 | 156 | 114  | 90 |

| 40°           | Width 220 mm |     |     |     |     |     |      |     |
|---------------|--------------|-----|-----|-----|-----|-----|------|-----|
|               | 17.5         | 40  | 40  | 25  | 40  | 40  | 17.5 |     |
| Height 160 mm | 32           | 79  | 99  | 142 | 208 | 142 | 99   | 79  |
|               | 32           | 103 | 131 | 203 | 311 | 203 | 131  | 103 |
|               | 32           | 135 | 184 | 288 | 432 | 288 | 184  | 135 |
|               | 32           | 142 | 202 | 324 | 519 | 324 | 202  | 142 |
|               | 32           | 120 | 152 | 231 | 358 | 231 | 152  | 120 |

| 40°           | Width 220 mm |     |     |     |     |     |      |     |
|---------------|--------------|-----|-----|-----|-----|-----|------|-----|
|               | 17.5         | 40  | 40  | 25  | 40  | 40  | 17.5 |     |
| Height 160 mm | 32           | 79  | 99  | 142 | 181 | 142 | 99   | 79  |
|               | 32           | 99  | 130 | 185 | 195 | 185 | 130  | 99  |
|               | 32           | 103 | 137 | 182 | 191 | 182 | 137  | 103 |
|               | 32           | 104 | 138 | 181 | 188 | 181 | 138  | 104 |
|               | 32           | 102 | 132 | 173 | 181 | 173 | 132  | 102 |

| 45°           | Width 220 mm |     |     |     |     |     |      |     |
|---------------|--------------|-----|-----|-----|-----|-----|------|-----|
|               | 17.5         | 40  | 40  | 25  | 40  | 40  | 17.5 |     |
| Height 160 mm | 32           | 73  | 92  | 132 | 185 | 132 | 92   | 73  |
|               | 32           | 98  | 123 | 194 | 284 | 194 | 123  | 98  |
|               | 32           | 130 | 175 | 271 | 426 | 271 | 175  | 130 |
|               | 32           | 134 | 194 | 304 | 479 | 304 | 194  | 134 |
|               | 32           | 120 | 151 | 229 | 341 | 229 | 151  | 120 |

| 45°           | Width 220 mm |     |     |     |     |     |      |     |
|---------------|--------------|-----|-----|-----|-----|-----|------|-----|
|               | 17.5         | 40  | 40  | 25  | 40  | 40  | 17.5 |     |
| Height 160 mm | 32           | 73  | 92  | 132 | 185 | 132 | 92   | 73  |
|               | 32           | 98  | 123 | 194 | 205 | 194 | 123  | 98  |
|               | 32           | 113 | 153 | 196 | 203 | 196 | 153  | 113 |
|               | 32           | 115 | 156 | 197 | 203 | 197 | 156  | 115 |
|               | 32           | 115 | 150 | 190 | 197 | 190 | 150  | 115 |

| 50°           | Width 220 mm |     |     |     |     |     |      |     |
|---------------|--------------|-----|-----|-----|-----|-----|------|-----|
|               | 17.5         | 40  | 40  | 25  | 40  | 40  | 17.5 |     |
| Height 160 mm | 32           | 70  | 91  | 131 | 223 | 131 | 91   | 70  |
|               | 32           | 95  | 124 | 195 | 343 | 195 | 124  | 95  |
|               | 32           | 123 | 174 | 270 | 509 | 270 | 174  | 123 |
|               | 32           | 126 | 177 | 281 | 525 | 281 | 177  | 126 |
|               | 32           | 110 | 137 | 208 | 375 | 208 | 137  | 110 |

| 50°           | Width 220 mm |     |     |     |     |     |      |     |
|---------------|--------------|-----|-----|-----|-----|-----|------|-----|
|               | 17.5         | 40  | 40  | 25  | 40  | 40  | 17.5 |     |
| Height 160 mm | 32           | 70  | 91  | 131 | 214 | 131 | 91   | 70  |
|               | 32           | 95  | 124 | 195 | 223 | 195 | 124  | 95  |
|               | 32           | 123 | 174 | 217 | 225 | 217 | 174  | 123 |
|               | 32           | 124 | 175 | 217 | 227 | 217 | 175  | 124 |
|               | 32           | 110 | 137 | 208 | 218 | 208 | 137  | 110 |

| 55°           | Width 220 mm |     |     |     |     |     |      |     |
|---------------|--------------|-----|-----|-----|-----|-----|------|-----|
|               | 17.5         | 40  | 40  | 25  | 40  | 40  | 17.5 |     |
| Height 160 mm | 32           | 67  | 90  | 131 | 232 | 131 | 90   | 67  |
|               | 32           | 92  | 125 | 195 | 360 | 195 | 125  | 92  |
|               | 32           | 116 | 173 | 269 | 528 | 269 | 173  | 116 |
|               | 32           | 119 | 161 | 257 | 494 | 257 | 161  | 119 |
|               | 32           | 100 | 122 | 186 | 354 | 186 | 122  | 100 |

| 55°           | Width 220 mm |     |     |     |     |     |      |     |
|---------------|--------------|-----|-----|-----|-----|-----|------|-----|
|               | 17.5         | 40  | 40  | 25  | 40  | 40  | 17.5 |     |
| Height 160 mm | 32           | 67  | 90  | 131 | 232 | 131 | 90   | 67  |
|               | 32           | 92  | 125 | 195 | 241 | 195 | 125  | 92  |
|               | 32           | 116 | 173 | 238 | 247 | 238 | 173  | 116 |
|               | 32           | 119 | 161 | 238 | 250 | 238 | 161  | 119 |
|               | 32           | 100 | 122 | 186 | 239 | 186 | 122  | 100 |

# AERIAL CAM UNIT FCC-LV 2016.26.018./022.

## FORCE DIAGRAM



Support via cast shoulder

|                  |    | Width 220 mm |     |     |     |     |     |     |
|------------------|----|--------------|-----|-----|-----|-----|-----|-----|
| 60°              |    | 18           | 25  | 25  | 25  | 25  | 18  |     |
| Height<br>160 mm | 32 | 64           | 89  | 130 | 234 | 130 | 89  | 64  |
|                  | 32 | 89           | 126 | 196 | 366 | 196 | 126 | 89  |
|                  | 32 | 109          | 173 | 268 | 530 | 268 | 173 | 109 |
|                  | 32 | 111          | 145 | 234 | 444 | 234 | 145 | 111 |
|                  | 32 | 90           | 107 | 164 | 320 | 164 | 107 | 90  |

Support via feather key

|                  |    | Width 220 mm |     |     |     |     |     |      |
|------------------|----|--------------|-----|-----|-----|-----|-----|------|
| 60°              |    | 17.5         | 40  | 40  | 25  | 40  | 40  | 17.5 |
| Height<br>160 mm | 32 | 64           | 89  | 130 | 234 | 130 | 89  | 64   |
|                  | 32 | 89           | 126 | 196 | 259 | 196 | 126 | 89   |
|                  | 32 | 109          | 173 | 259 | 269 | 259 | 173 | 109  |
|                  | 32 | 111          | 145 | 234 | 274 | 234 | 145 | 111  |
|                  | 32 | 90           | 107 | 164 | 260 | 164 | 107 | 90   |

Support via cast shoulder

|                  |    | Width 220 mm |     |     |     |     |     |      |
|------------------|----|--------------|-----|-----|-----|-----|-----|------|
| 65°              |    | 17.5         | 40  | 40  | 25  | 40  | 40  | 17.5 |
| Height<br>160 mm | 32 | 65           | 91  | 135 | 249 | 135 | 91  | 65   |
|                  | 32 | 90           | 129 | 202 | 384 | 202 | 129 | 90   |
|                  | 32 | 111          | 177 | 277 | 532 | 277 | 177 | 111  |
|                  | 32 | 113          | 146 | 236 | 452 | 236 | 146 | 113  |
|                  | 32 | 91           | 109 | 166 | 326 | 166 | 109 | 91   |

Support via feather key

|                  |    | Width 220 mm |     |     |     |     |     |      |
|------------------|----|--------------|-----|-----|-----|-----|-----|------|
| 65°              |    | 17.5         | 40  | 40  | 25  | 40  | 40  | 17.5 |
| Height<br>160 mm | 32 | 65           | 91  | 135 | 249 | 135 | 91  | 65   |
|                  | 32 | 90           | 129 | 202 | 284 | 202 | 129 | 90   |
|                  | 32 | 111          | 177 | 277 | 342 | 277 | 177 | 111  |
|                  | 32 | 113          | 146 | 236 | 326 | 236 | 146 | 113  |
|                  | 32 | 91           | 109 | 166 | 296 | 166 | 109 | 91   |

Support via cast shoulder

|                  |    | Width 220 mm |     |     |     |     |     |      |
|------------------|----|--------------|-----|-----|-----|-----|-----|------|
| 70°              |    | 17.5         | 40  | 40  | 25  | 40  | 40  | 17.5 |
| Height<br>160 mm | 32 | 66           | 93  | 139 | 263 | 139 | 93  | 66   |
|                  | 32 | 92           | 132 | 208 | 402 | 208 | 132 | 92   |
|                  | 32 | 113          | 181 | 287 | 533 | 287 | 181 | 113  |
|                  | 32 | 115          | 147 | 238 | 460 | 238 | 147 | 115  |
|                  | 32 | 92           | 110 | 167 | 332 | 167 | 110 | 92   |

Support via feather key

|                  |    | Width 220 mm |     |     |     |     |     |      |
|------------------|----|--------------|-----|-----|-----|-----|-----|------|
| 70°              |    | 17.5         | 40  | 40  | 25  | 40  | 40  | 17.5 |
| Height<br>160 mm | 32 | 66           | 93  | 139 | 263 | 139 | 93  | 66   |
|                  | 32 | 92           | 132 | 208 | 308 | 208 | 132 | 92   |
|                  | 32 | 113          | 181 | 287 | 350 | 287 | 181 | 113  |
|                  | 32 | 115          | 147 | 238 | 350 | 238 | 147 | 115  |
|                  | 32 | 92           | 110 | 167 | 332 | 167 | 110 | 92   |

Support via cast shoulder

|                  |    | Width 220 mm |     |     |     |     |     |      |
|------------------|----|--------------|-----|-----|-----|-----|-----|------|
| 75°              |    | 17.5         | 40  | 40  | 25  | 40  | 40  | 17.5 |
| Height<br>160 mm | 32 | 67           | 94  | 144 | 274 | 144 | 94  | 67   |
|                  | 32 | 93           | 135 | 214 | 414 | 214 | 135 | 93   |
|                  | 32 | 115          | 185 | 296 | 527 | 296 | 185 | 115  |
|                  | 32 | 116          | 149 | 239 | 461 | 239 | 149 | 116  |
|                  | 32 | 94           | 111 | 169 | 333 | 169 | 111 | 94   |

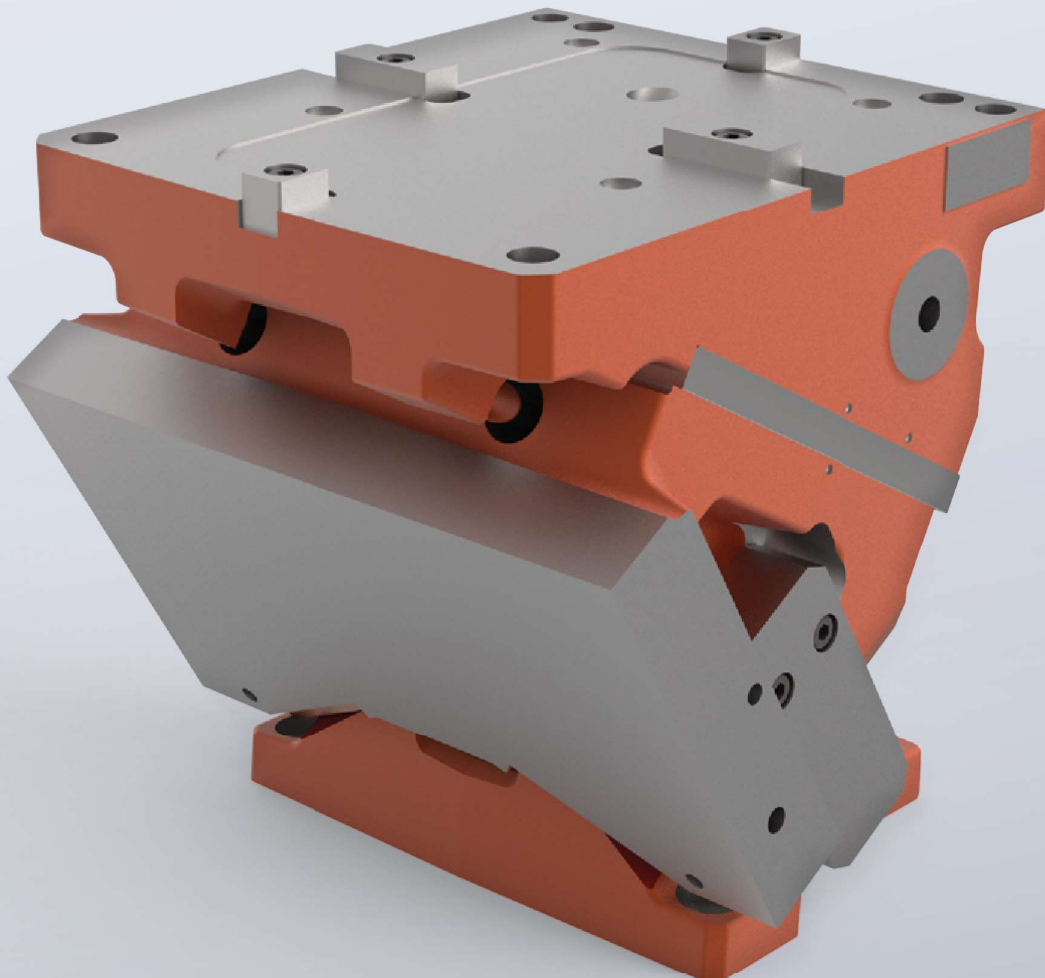
Support via feather key

|                  |    | Width 220 mm |     |     |     |     |     |      |
|------------------|----|--------------|-----|-----|-----|-----|-----|------|
| 75°              |    | 17.5         | 40  | 40  | 25  | 40  | 40  | 17.5 |
| Height<br>160 mm | 32 | 67           | 94  | 144 | 274 | 144 | 94  | 67   |
|                  | 32 | 93           | 135 | 214 | 332 | 214 | 135 | 93   |
|                  | 32 | 115          | 185 | 296 | 350 | 296 | 185 | 115  |
|                  | 32 | 116          | 149 | 239 | 350 | 239 | 149 | 116  |
|                  | 32 | 94           | 111 | 169 | 333 | 169 | 111 | 94   |

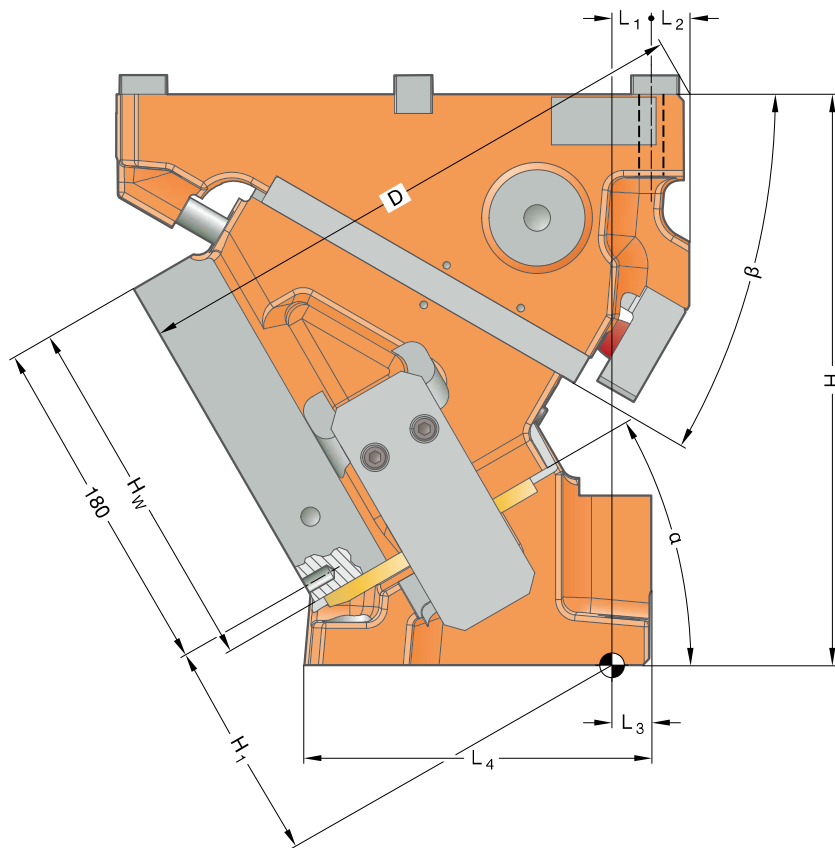
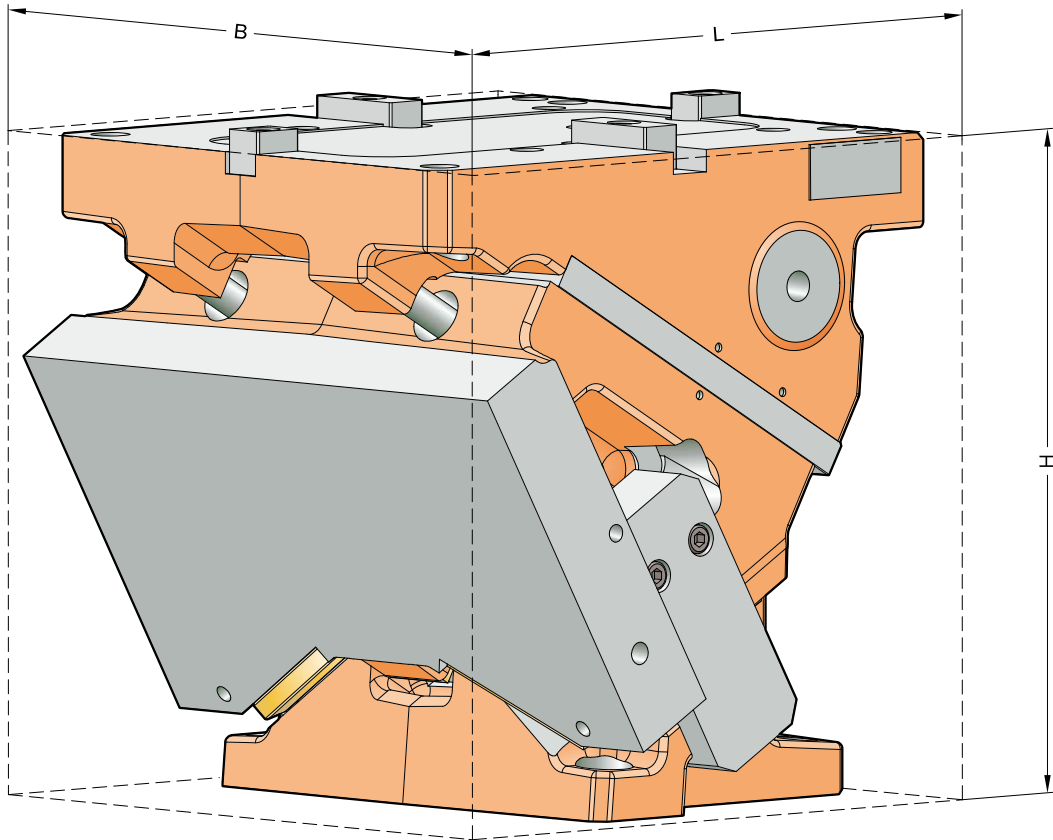


AERIAL CAM UNIT FCC-LV  
**2016.26.026./031.**

Working width: 260/310 mm  
Performance class: 580 kN

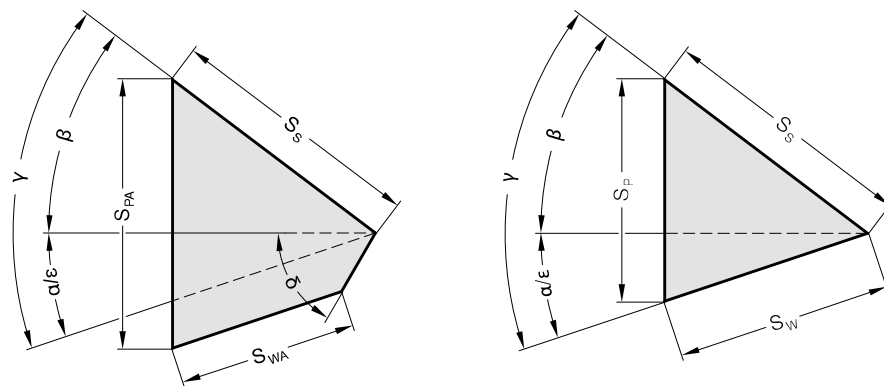


AERIAL CAM UNIT FCC-LV 2016.26.026./031.  
**SIZE TABLE**



# AERIAL CAM UNIT FCC-LV 2016.26.026./031.

## SIZE TABLE



| Order No               | L<br>[mm] | B<br>[mm] | H<br>[mm] | H <sub>1</sub><br>[mm] | H <sub>W</sub><br>[mm] | L <sub>1</sub><br>[mm] | L <sub>2</sub><br>[mm] | L <sub>3</sub><br>[mm] | L <sub>4</sub><br>[mm] | D<br>[mm] | α<br>[°] | β<br>[°] | δ<br>[°] | S <sub>W</sub> *<br>[mm] | S <sub>WA</sub> *<br>[mm] | S <sub>S</sub><br>[mm] | S <sub>P</sub> *<br>[mm] | S <sub>PA</sub> *<br>[mm] |
|------------------------|-----------|-----------|-----------|------------------------|------------------------|------------------------|------------------------|------------------------|------------------------|-----------|----------|----------|----------|--------------------------|---------------------------|------------------------|--------------------------|---------------------------|
| 2026.26.026.00.1000.00 | 276       | 260       | 300       | 65                     | 153                    | 60                     | 20                     | 15                     | 217                    | 275,5     | 0        | 50       | 50       | (32)                     | 25,7                      | 50                     | (38)                     | 46,0                      |
| 2026.26.031.00.1000.00 |           | 310       |           |                        |                        |                        |                        |                        |                        |           |          |          |          |                          |                           |                        |                          |                           |
| 2026.26.026.05.1000.00 | 286       | 260       | 300       | 75,53                  | 153                    | 51                     | 20                     | 15                     | 214                    | 289,49    | 5        | 45       | 55       | (35)                     | 29,7                      | 50                     | (38)                     | 46,1                      |
| 2026.26.031.05.1000.00 |           | 310       |           |                        |                        |                        |                        |                        |                        |           |          |          |          |                          |                           |                        |                          |                           |
| 2026.26.026.10.1000.00 | 293       | 260       | 300       | 87,48                  | 153                    | 34                     | 20                     | 15                     | 227                    | 301,06    | 10       | 40       | 60       | (39)                     | 33,8                      | 50                     | (39)                     | 46,7                      |
| 2026.26.031.10.1000.00 |           | 310       |           |                        |                        |                        |                        |                        |                        |           |          |          |          |                          |                           |                        |                          |                           |
| 2026.26.026.15.1000.00 | 303       | 260       | 300       | 98,05                  | 153                    | 22                     | 20                     | 15                     | 224                    | 309,48    | 15       | 35       | 65       | (42)                     | 38,0                      | 50                     | (40)                     | 47,6                      |
| 2026.26.031.15.1000.00 |           | 310       |           |                        |                        |                        |                        |                        |                        |           |          |          |          |                          |                           |                        |                          |                           |
| 2026.26.026.20.1000.00 | 290       | 260       | 300       | 103,2                  | 153                    | 30                     | 20                     | 15                     | 192                    | 301,26    | 20       | 40       | 50       | (41)                     | 33,9                      | 50                     | (46)                     | 51,4                      |
| 2026.26.031.20.1000.00 |           | 310       |           |                        |                        |                        |                        |                        |                        |           |          |          |          |                          |                           |                        |                          |                           |
| 2026.26.026.25.1000.00 | 303       | 260       | 300       | 113,16                 | 153                    | 18                     | 20                     | 15                     | 189                    | 306,47    | 25       | 35       | 55       | (45)                     | 38,9                      | 50                     | (48)                     | 53,3                      |
| 2026.26.031.25.1000.00 |           | 310       |           |                        |                        |                        |                        |                        |                        |           |          |          |          |                          |                           |                        |                          |                           |
| 2026.26.026.30.1000.00 | 301       | 260       | 300       | 119,66                 | 153                    | 15                     | 20                     | 15                     | 182                    | 304,06    | 30       | 30       | 60       | (45)                     | 39,2                      | 45                     | (45)                     | 50,8                      |
| 2026.26.031.30.1000.00 |           | 310       |           |                        |                        |                        |                        |                        |                        |           |          |          |          |                          |                           |                        |                          |                           |
| 2026.26.026.35.1000.00 | 311       | 260       | 300       | 130,17                 | 153                    | 0                      | 20                     | 15                     | 180                    | 302,98    | 35       | 25       | 65       | (50)                     | 44,6                      | 45                     | (48)                     | 53,7                      |
| 2026.26.031.35.1000.00 |           | 310       |           |                        |                        |                        |                        |                        |                        |           |          |          |          |                          |                           |                        |                          |                           |
| 2026.26.026.40.1000.00 | 316       | 260       | 300       | 132,53                 | 153                    | 18                     | 20                     | 15                     | 171                    | 323,18    | 40       | 30       | 60       | (51)                     | 44,3                      | 45                     | (55)                     | 59,7                      |
| 2026.26.031.40.1000.00 |           | 310       |           |                        |                        |                        |                        |                        |                        |           |          |          |          |                          |                           |                        |                          |                           |
| 2026.26.026.45.1000.00 | 314       | 260       | 300       | 134,02                 | 153                    | 13                     | 20                     | 15                     | 159                    | 318,89    | 45       | 25       | 65       | (58)                     | 51,7                      | 45                     | (60)                     | 64,6                      |
| 2026.26.031.45.1000.00 |           | 310       |           |                        |                        |                        |                        |                        |                        |           |          |          |          |                          |                           |                        |                          |                           |
| 2026.26.026.50.1000.00 | 302       | 260       | 300       | 138,94                 | 153                    | 269                    | 280                    | 15                     | 157                    | 302,77    | 50       | 20       | -        | 48,2                     | -                         | 33                     | 48,2                     | -                         |
| 2026.26.031.50.1000.00 |           | 310       |           |                        |                        |                        |                        |                        |                        |           |          |          |          |                          |                           |                        |                          |                           |
| 2026.26.026.55.1000.00 | 319       | 260       | 300       | 140,9                  | 153                    | 282                    | 280                    | 15                     | 149                    | 295,99    | 55       | 15       | -        | 55,6                     | -                         | 33                     | 54,1                     | -                         |
| 2026.26.031.55.1000.00 |           | 310       |           |                        |                        |                        |                        |                        |                        |           |          |          |          |                          |                           |                        |                          |                           |
| 2026.26.026.60.1000.00 | 312       | 260       | 300       | 123,01                 | 153                    | 282                    | 280                    | 15                     | 131                    | 302,5     | 60       | 20       | -        | 54,5                     | -                         | 29                     | 57,1                     | -                         |
| 2026.26.031.60.1000.00 |           | 310       |           |                        |                        |                        |                        |                        |                        |           |          |          |          |                          |                           |                        |                          |                           |
| 2026.26.026.65.1000.00 | 337       | 260       | 300       | 127,48                 | 153                    | 300                    | 280                    | 15                     | 129                    | 293,63    | 65       | 15       | -        | 66,3                     | -                         | 29                     | 67,6                     | -                         |
| 2026.26.031.65.1000.00 |           | 310       |           |                        |                        |                        |                        |                        |                        |           |          |          |          |                          |                           |                        |                          |                           |
| 2026.26.026.70.1000.00 | 341       | 260       | 300       | 120,07                 | 153                    | 309                    | 275                    | 15                     | 125                    | 278,47    | 70       | 10       | -        | 63,3                     | -                         | 22                     | 63,3                     | -                         |
| 2026.26.031.70.1000.00 |           | 310       |           |                        |                        |                        |                        |                        |                        |           |          |          |          |                          |                           |                        |                          |                           |
| 2026.26.026.75.1000.00 | 361       | 260       | 300       | 116,02                 | 153                    | 327                    | 275                    | 15                     | 118                    | 274,02    | 75       | 5        | -        | 69,3                     | -                         | 18                     | 68,5                     | -                         |
| 2026.26.031.75.1000.00 |           | 310       |           |                        |                        |                        |                        |                        |                        |           |          |          |          |                          |                           |                        |                          |                           |

### Fastening

Hexagon socket head cap screws DIN EN ISO 4762 / Strength class min. 8.8  
Dowel pins DIN EN ISO 8735

### Cam base:

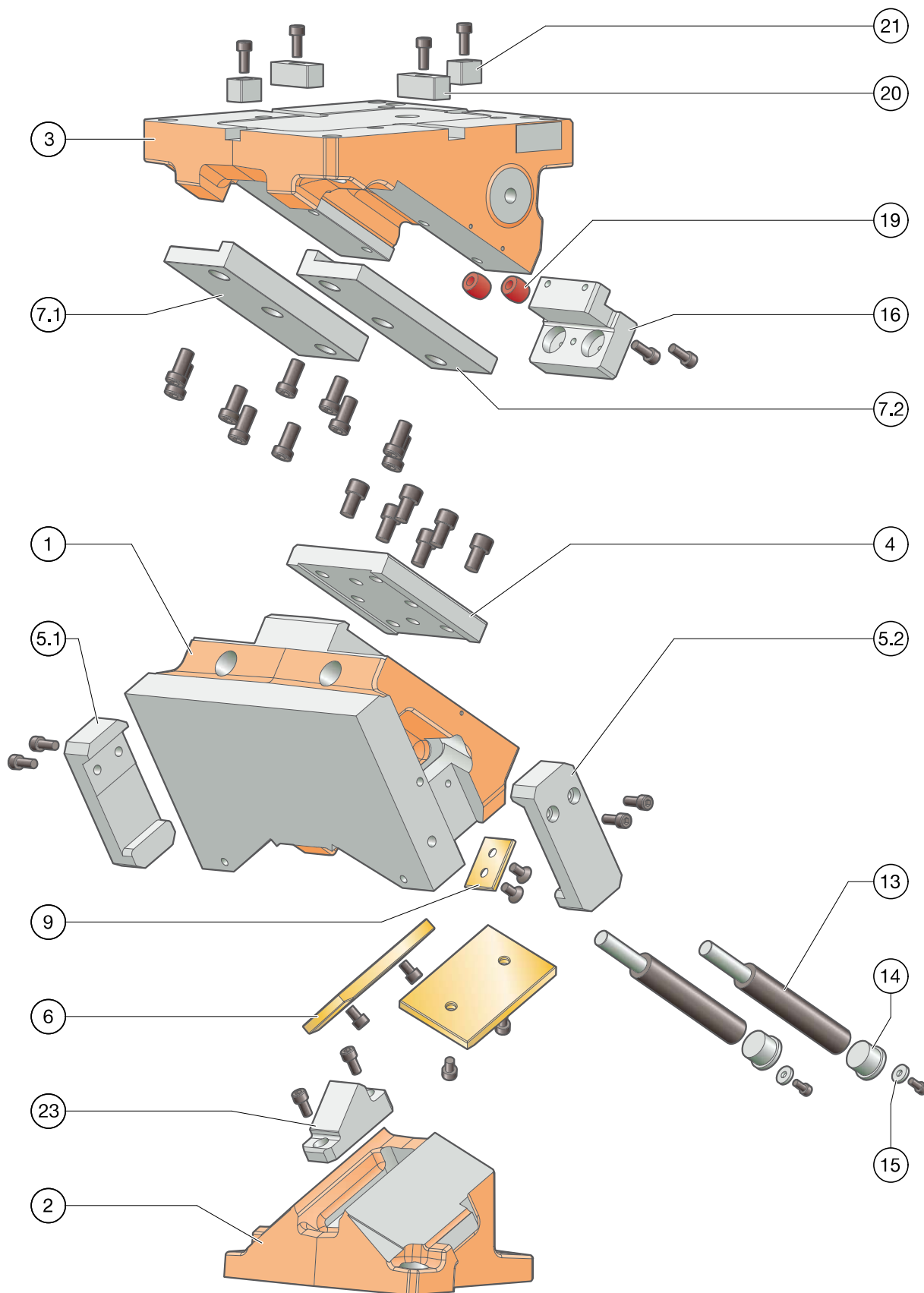
4 × M16  
2 × ø16

### Driver:

4 × M16  
2 × ø16

# AERIAL CAM UNIT FCC-LV 2016.26.026./031.

## EXPLODED VIEW



# AERIAL CAM UNIT FCC-LV 2016.26.026./031.

## PARTS LIST



| Item No.        | Pcs. | Designation                  | Material                    | tuned | Spare part |
|-----------------|------|------------------------------|-----------------------------|-------|------------|
| 1               | 1    | Cam slider                   | EN-JS-1060                  | --    | --         |
| 2               | 1    | Driver                       | EN-JS-1060                  | --    | --         |
| 3               | 1    | Cam base                     | EN-JS-1060                  | --    | --         |
| 4               | 1    | Centre guide                 | 1.2379                      | --    | x          |
| 5.1             | 1    | mechanical retraction, left  | 1.1191 with sinter layer    | x     | x          |
| 5.2             | 1    | mechanical retraction, right | 1.1191 with sinter layer    | x     | x          |
| 6               | 2    | Sliding plate                | Bronze with solid lubricant | --    | x          |
| 7.1             | 1    | L-guide, left                | 1.1191 with sinter layer    | x     | x          |
| 7.2             | 1    | L-guide, right               | 1.1191 with sinter layer    | x     | x          |
| 8               |      |                              |                             |       |            |
| 9               | 1    | Sliding plate                | Bronze with solid lubricant | --    | x          |
| 10              |      |                              |                             |       |            |
| 11              |      |                              |                             |       |            |
| 12              |      |                              |                             |       |            |
| 13              | 2    | Gas spring                   | 2487.12.00.320.□□□          | --    | x          |
| 14              | 2    | Locking tappet               | 1.7131                      | --    | x          |
| 15              | 2    | Locking tappet pin           |                             | --    | x          |
| 16              | 1    | Slide stop                   | 1.1191                      | --    | x          |
| 17 (not shown)  | 1    | Spacer                       |                             | --    | x          |
| 18 (not shown)  | 1    | Lockout system               | 1.1191                      | --    | x          |
| 19              | 2    | Damper                       | Elastomer                   | --    | x          |
| 20              | 2    | Feather key (T-nut)          | 1.1191                      | --    | x          |
| 21              | 2    | Feather key (T-nut)          | 1.1191                      | --    | x          |
| 22              |      |                              |                             |       |            |
| 23              | 1    | pre-acceleration             | 1.2379                      | --    | x          |
| 24* (not shown) | 2    | Spacer                       | 1.1191                      | --    | x          |

\* not installed at all angles

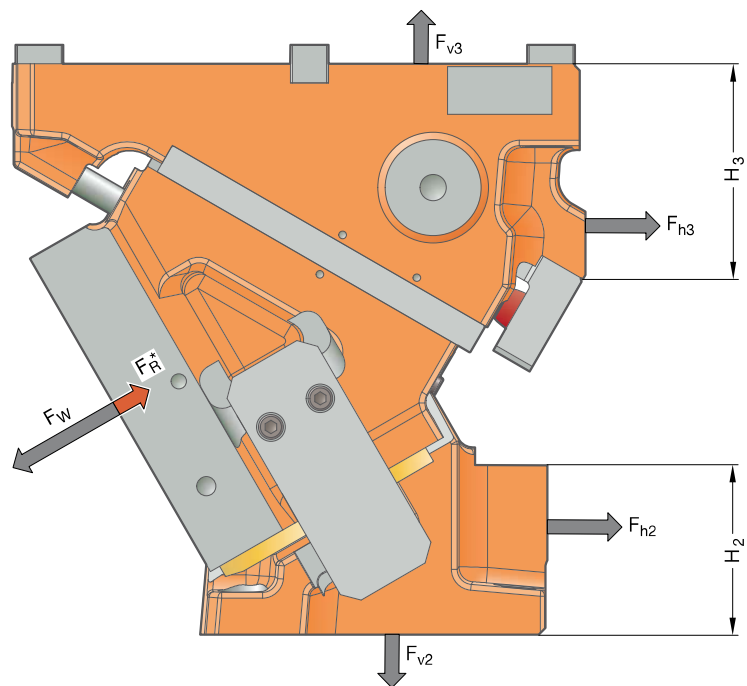
For inquiries or when ordering spare parts (x), we require the following data:

- Cam unit order no.
- Cam unit serial number
- Item No. / Designation / Spare part



# AERIAL CAM UNIT FCC-LV 2016.26.026./031.

## SYSTEM AND SURROUNDING FORCES



All force specifications in this catalogue of the Series 2016.26 are pre-assigned values that provide a higher safety factor.

| Order No               | $\alpha$<br>[°] | $F_w$<br>[kN] | $F_R^*$<br>[kN] | $F_{h2}$<br>[kN] | $F_{v2}$<br>[kN] | $F_{h3}$<br>[kN] | $F_{v3}$<br>[kN] | $H_2$<br>[mm] | $H_3$<br>[mm] |
|------------------------|-----------------|---------------|-----------------|------------------|------------------|------------------|------------------|---------------|---------------|
| 2016.26.0□□.00.1000.00 | 0               | 576           | 45              | -42              | 597              | 618              | 597              | 43            | 183           |
| 2016.26.0□□.05.1000.00 | 5               | 590           | 45              | 11               | 613              | 577              | 664              | 55            | 166           |
| 2016.26.0□□.10.1000.00 | 10              | 605           | 45              | 66               | 625              | 530              | 730              | 61            | 149           |
| 2016.26.0□□.15.1000.00 | 15              | 619           | 45              | 123              | 631              | 475              | 791              | 74            | 134           |
| 2016.26.0□□.20.1000.00 | 20              | 617           | 45              | 121              | 421              | 459              | 632              | 68            | 149           |
| 2016.26.0□□.25.1000.00 | 25              | 616           | 45              | 157              | 408              | 402              | 669              | 81            | 134           |
| 2016.26.0□□.30.1000.00 | 30              | 614           | 45              | 191              | 392              | 341              | 699              | 89            | 111           |
| 2016.26.0□□.35.1000.00 | 35              | 612           | 45              | 224              | 372              | 278              | 723              | 104           | 95            |
| 2016.26.0□□.40.1000.00 | 40              | 611           | 45              | 165              | 228              | 303              | 621              | 103           | 111           |
| 2016.26.0□□.45.1000.00 | 45              | 609           | 45              | 184              | 212              | 247              | 642              | 117           | 95            |
| 2016.26.0□□.50.1000.00 | 50              | 602           | 45              | 200              | 193              | 187              | 654              | 118           | 72            |
| 2016.26.0□□.55.1000.00 | 55              | 594           | 45              | 213              | 172              | 128              | 659              | 132           | 58            |
| 2016.26.0□□.60.1000.00 | 60              | 586           | 45              | 124              | 83               | 169              | 591              | 119           | 72            |
| 2016.26.0□□.65.1000.00 | 65              | 569           | 45              | 127              | 70               | 114              | 586              | 134           | 58            |
| 2016.26.0□□.70.1000.00 | 70              | 552           | 45              | 128              | 57               | 60               | 576              | 129           | 45            |
| 2016.26.0□□.75.1000.00 | 75              | 586           | 45              | 141              | 49               | 11               | 615              | 139           | 39            |

\* Retraction force values correspond to the spring-generated retraction force at the working point

The forces  $F_{h2}$ ,  $F_{v2}$  as well as  $F_{h3}$ ,  $F_{v3}$  act on the tool environment at maximum working force  $F_w$ .

# AERIAL CAM UNIT FCC-LV 2016.26.026./031.

## FORCE DIAGRAM



Support via cast shoulder

|                  |    | Width 310 mm |     |     |     |     |     |     |     |     |     |
|------------------|----|--------------|-----|-----|-----|-----|-----|-----|-----|-----|-----|
|                  |    | 25           | 35  | 40  | 40  | 30  | 40  | 40  | 35  | 25  |     |
| Height<br>150 mm | 0° | 30           | 122 | 135 | 170 | 216 | 276 | 216 | 170 | 135 | 122 |
|                  | 30 | 153          | 165 | 209 | 267 | 340 | 267 | 209 | 165 | 153 |     |
|                  | 30 | 212          | 210 | 257 | 335 | 439 | 335 | 257 | 210 | 212 |     |
|                  | 30 | 269          | 266 | 325 | 418 | 576 | 418 | 325 | 266 | 269 |     |
|                  | 30 | 330          | 327 | 399 | 476 | 565 | 476 | 399 | 327 | 330 |     |

Support via feather key

|                  |    | Width 310 mm |    |    |    |     |     |    |    |    |    |
|------------------|----|--------------|----|----|----|-----|-----|----|----|----|----|
|                  |    | 25           | 35 | 40 | 40 | 30  | 40  | 40 | 35 | 25 |    |
| Height<br>150 mm | 0° | 30           | 57 | 63 | 77 | 95  | 120 | 95 | 77 | 63 | 57 |
|                  | 30 | 61           | 66 | 80 | 99 | 124 | 99  | 80 | 66 | 61 |    |
|                  | 30 | 58           | 63 | 77 | 94 | 118 | 94  | 77 | 63 | 58 |    |
|                  | 30 | 56           | 61 | 73 | 90 | 113 | 90  | 73 | 61 | 56 |    |
|                  | 30 | 54           | 59 | 69 | 86 | 109 | 86  | 69 | 59 | 54 |    |

|                  |    | Width 310 mm |     |     |     |     |     |     |     |     |     |
|------------------|----|--------------|-----|-----|-----|-----|-----|-----|-----|-----|-----|
|                  |    | 25           | 35  | 40  | 40  | 30  | 40  | 40  | 35  | 25  |     |
| Height<br>150 mm | 5° | 30           | 123 | 136 | 170 | 217 | 276 | 217 | 170 | 136 | 123 |
|                  | 30 | 152          | 165 | 210 | 270 | 342 | 270 | 210 | 165 | 152 |     |
|                  | 30 | 211          | 212 | 261 | 339 | 444 | 339 | 261 | 212 | 211 |     |
|                  | 30 | 277          | 279 | 344 | 433 | 590 | 433 | 344 | 279 | 277 |     |
|                  | 30 | 312          | 314 | 388 | 465 | 574 | 465 | 388 | 314 | 312 |     |

|                  |    | Width 310 mm |    |    |     |     |     |     |    |    |    |
|------------------|----|--------------|----|----|-----|-----|-----|-----|----|----|----|
|                  |    | 25           | 35 | 40 | 40  | 30  | 40  | 40  | 35 | 25 |    |
| Height<br>150 mm | 5° | 30           | 65 | 72 | 87  | 107 | 133 | 107 | 87 | 72 | 65 |
|                  | 30 | 69           | 75 | 92 | 113 | 138 | 113 | 92  | 75 | 69 |    |
|                  | 30 | 67           | 72 | 88 | 107 | 132 | 107 | 88  | 72 | 67 |    |
|                  | 30 | 65           | 70 | 82 | 102 | 126 | 102 | 82  | 70 | 65 |    |
|                  | 30 | 62           | 67 | 78 | 96  | 121 | 96  | 78  | 67 | 62 |    |

|                  |     | Width 310 mm |     |     |     |     |     |     |     |     |     |
|------------------|-----|--------------|-----|-----|-----|-----|-----|-----|-----|-----|-----|
|                  |     | 25           | 35  | 40  | 40  | 30  | 40  | 40  | 35  | 25  |     |
| Height<br>150 mm | 10° | 30           | 123 | 138 | 171 | 217 | 276 | 217 | 171 | 138 | 123 |
|                  | 30  | 151          | 165 | 212 | 272 | 344 | 272 | 212 | 165 | 151 |     |
|                  | 30  | 209          | 214 | 265 | 343 | 449 | 343 | 265 | 214 | 209 |     |
|                  | 30  | 285          | 293 | 363 | 448 | 605 | 448 | 363 | 293 | 285 |     |
|                  | 30  | 294          | 300 | 377 | 454 | 583 | 454 | 377 | 300 | 294 |     |

|                  |     | Width 310 mm |    |     |     |     |     |     |    |    |    |
|------------------|-----|--------------|----|-----|-----|-----|-----|-----|----|----|----|
|                  |     | 25           | 35 | 40  | 40  | 30  | 40  | 40  | 35 | 25 |    |
| Height<br>150 mm | 10° | 30           | 74 | 80  | 98  | 120 | 146 | 120 | 98 | 80 | 74 |
|                  | 30  | 78           | 84 | 103 | 127 | 152 | 127 | 103 | 84 | 78 |    |
|                  | 30  | 76           | 81 | 99  | 120 | 146 | 120 | 99  | 81 | 76 |    |
|                  | 30  | 73           | 78 | 92  | 113 | 138 | 113 | 92  | 78 | 73 |    |
|                  | 30  | 70           | 75 | 86  | 106 | 132 | 106 | 86  | 75 | 70 |    |

|                  |     | Width 310 mm |     |     |     |     |     |     |     |     |     |
|------------------|-----|--------------|-----|-----|-----|-----|-----|-----|-----|-----|-----|
|                  |     | 25           | 35  | 40  | 40  | 30  | 40  | 40  | 35  | 25  |     |
| Height<br>150 mm | 15° | 30           | 123 | 139 | 171 | 218 | 276 | 218 | 171 | 139 | 123 |
|                  | 30  | 150          | 166 | 213 | 275 | 345 | 275 | 213 | 166 | 150 |     |
|                  | 30  | 207          | 217 | 270 | 347 | 453 | 347 | 270 | 217 | 207 |     |
|                  | 30  | 294          | 306 | 382 | 463 | 619 | 463 | 382 | 306 | 294 |     |
|                  | 30  | 275          | 287 | 365 | 443 | 592 | 443 | 365 | 287 | 275 |     |

|                  |     | Width 310 mm |    |     |     |     |     |     |     |    |    |
|------------------|-----|--------------|----|-----|-----|-----|-----|-----|-----|----|----|
|                  |     | 25           | 35 | 40  | 40  | 30  | 40  | 40  | 35  | 25 |    |
| Height<br>150 mm | 15° | 30           | 82 | 89  | 108 | 133 | 159 | 133 | 108 | 89 | 82 |
|                  | 30  | 87           | 93 | 114 | 140 | 165 | 140 | 114 | 93  | 87 |    |
|                  | 30  | 85           | 90 | 110 | 133 | 159 | 133 | 110 | 90  | 85 |    |
|                  | 30  | 81           | 86 | 102 | 125 | 151 | 125 | 102 | 86  | 81 |    |
|                  | 30  | 77           | 83 | 95  | 117 | 144 | 117 | 95  | 83  | 77 |    |

|                  |     | Width 310 mm |     |     |     |     |     |     |     |     |     |
|------------------|-----|--------------|-----|-----|-----|-----|-----|-----|-----|-----|-----|
|                  |     | 25           | 35  | 40  | 40  | 30  | 40  | 40  | 35  | 25  |     |
| Height<br>150 mm | 20° | 30           | 119 | 136 | 171 | 218 | 276 | 218 | 171 | 136 | 119 |
|                  | 30  | 144          | 166 | 215 | 276 | 353 | 276 | 215 | 166 | 144 |     |
|                  | 30  | 195          | 221 | 278 | 365 | 479 | 365 | 278 | 221 | 195 |     |
|                  | 30  | 269          | 304 | 382 | 462 | 617 | 462 | 382 | 304 | 269 |     |
|                  | 30  | 246          | 260 | 344 | 435 | 581 | 435 | 344 | 260 | 246 |     |

|                  |     | Width 310 mm |     |     |     |     |     |     |     |     |    |
|------------------|-----|--------------|-----|-----|-----|-----|-----|-----|-----|-----|----|
|                  |     | 25           | 35  | 40  | 40  | 30  | 40  | 40  | 35  | 25  |    |
| Height<br>150 mm | 20° | 30           | 91  | 102 | 125 | 154 | 188 | 154 | 125 | 102 | 91 |
|                  | 30  | 95           | 106 | 131 | 162 | 196 | 162 | 131 | 106 | 95  |    |
|                  | 30  | 92           | 101 | 124 | 153 | 186 | 153 | 124 | 101 | 92  |    |
|                  | 30  | 88           | 95  | 114 | 142 | 174 | 142 | 114 | 95  | 88  |    |
|                  | 30  | 83           | 90  | 105 | 131 | 164 | 131 | 105 | 90  | 83  |    |

|                  |     | Width 310 mm |     |     |     |     |     |     |     |     |     |
|------------------|-----|--------------|-----|-----|-----|-----|-----|-----|-----|-----|-----|
|                  |     | 25           | 35  | 40  | 40  | 30  | 40  | 40  | 35  | 25  |     |
| Height<br>150 mm | 25° | 30           | 115 | 134 | 171 | 217 | 276 | 217 | 171 | 134 | 115 |
|                  | 30  | 138          | 167 | 217 | 278 | 362 | 278 | 217 | 167 | 138 |     |
|                  | 30  | 182          | 226 | 287 | 384 | 504 | 384 | 287 | 226 | 182 |     |
|                  | 30  | 245          | 302 | 383 | 461 | 616 | 461 | 383 | 302 | 245 |     |
|                  | 30  | 217          | 233 | 323 | 427 | 570 | 427 | 323 | 233 | 217 |     |

|                  |     | Width 310 mm |     |     |     |     |     |     |     |     |     |
|------------------|-----|--------------|-----|-----|-----|-----|-----|-----|-----|-----|-----|
|                  |     | 25           | 35  | 40  | 40  | 30  | 40  | 40  | 35  | 25  |     |
| Height<br>150 mm | 25° | 30           | 100 | 114 | 141 | 176 | 216 | 176 | 141 | 114 | 100 |
|                  | 30  | 104          | 118 | 147 | 184 | 227 | 184 | 147 | 118 | 104 |     |
|                  | 30  | 99           | 112 | 138 | 173 | 212 | 173 | 138 | 112 | 99  |     |
|                  | 30  | 94           | 105 | 126 | 159 | 197 | 159 | 126 | 105 | 94  |     |
|                  | 30  | 88           | 98  | 114 | 146 | 184 | 146 | 114 | 98  | 88  |     |

# AERIAL CAM UNIT FCC-LV 2016.26.026./031.

## FORCE DIAGRAM

Support via cast shoulder

|                  |     | Width 310 mm |     |     |     |     |     |     |     |     |     |
|------------------|-----|--------------|-----|-----|-----|-----|-----|-----|-----|-----|-----|
|                  |     | 25           | 35  | 40  | 40  | 30  | 40  | 40  | 35  | 25  |     |
| Height<br>150 mm | 30° | 30           | 114 | 132 | 170 | 217 | 277 | 217 | 170 | 132 | 114 |
|                  | 30  | 30           | 136 | 168 | 220 | 280 | 370 | 280 | 220 | 168 | 136 |
|                  | 30  | 30           | 176 | 231 | 296 | 402 | 529 | 402 | 296 | 231 | 176 |
|                  | 30  | 30           | 228 | 300 | 384 | 461 | 614 | 461 | 384 | 300 | 228 |
|                  | 30  | 30           | 195 | 205 | 302 | 419 | 559 | 419 | 302 | 205 | 195 |

Support via feather key

|                  |     | Width 310 mm |     |     |     |     |     |     |     |     |     |
|------------------|-----|--------------|-----|-----|-----|-----|-----|-----|-----|-----|-----|
|                  |     | 25           | 35  | 40  | 40  | 30  | 40  | 40  | 35  | 25  |     |
| Height<br>150 mm | 30° | 30           | 109 | 127 | 157 | 198 | 245 | 198 | 157 | 127 | 109 |
|                  | 30  | 30           | 112 | 131 | 164 | 206 | 257 | 206 | 164 | 131 | 112 |
|                  | 30  | 30           | 107 | 123 | 152 | 193 | 238 | 193 | 152 | 123 | 107 |
|                  | 30  | 30           | 101 | 114 | 137 | 176 | 220 | 176 | 137 | 114 | 101 |
|                  | 30  | 30           | 94  | 105 | 124 | 160 | 205 | 160 | 124 | 105 | 94  |

|                  |     | Width 310 mm |     |     |     |     |     |     |     |     |     |
|------------------|-----|--------------|-----|-----|-----|-----|-----|-----|-----|-----|-----|
|                  |     | 25           | 35  | 40  | 40  | 30  | 40  | 40  | 35  | 25  |     |
| Height<br>150 mm | 35° | 30           | 113 | 124 | 156 | 194 | 244 | 194 | 156 | 124 | 113 |
|                  | 30  | 30           | 136 | 161 | 206 | 256 | 329 | 256 | 206 | 161 | 136 |
|                  | 30  | 30           | 177 | 220 | 281 | 372 | 480 | 372 | 281 | 220 | 177 |
|                  | 30  | 30           | 220 | 285 | 385 | 460 | 612 | 460 | 385 | 285 | 220 |
|                  | 30  | 30           | 190 | 203 | 297 | 421 | 534 | 421 | 297 | 203 | 190 |

|                  |     | Width 310 mm |     |     |     |     |     |     |     |     |     |
|------------------|-----|--------------|-----|-----|-----|-----|-----|-----|-----|-----|-----|
|                  |     | 25           | 35  | 40  | 40  | 30  | 40  | 40  | 35  | 25  |     |
| Height<br>150 mm | 35° | 30           | 113 | 124 | 156 | 194 | 244 | 194 | 156 | 124 | 113 |
|                  | 30  | 30           | 121 | 149 | 187 | 240 | 309 | 240 | 187 | 149 | 121 |
|                  | 30  | 30           | 118 | 143 | 177 | 226 | 287 | 226 | 177 | 143 | 118 |
|                  | 30  | 30           | 113 | 134 | 164 | 209 | 264 | 209 | 164 | 134 | 113 |
|                  | 30  | 30           | 106 | 125 | 151 | 193 | 248 | 193 | 151 | 125 | 106 |

|                  |     | Width 310 mm |     |     |     |     |     |     |     |     |     |
|------------------|-----|--------------|-----|-----|-----|-----|-----|-----|-----|-----|-----|
|                  |     | 25           | 35  | 40  | 40  | 30  | 40  | 40  | 35  | 25  |     |
| Height<br>150 mm | 40° | 30           | 114 | 135 | 165 | 171 | 212 | 171 | 165 | 135 | 114 |
|                  | 30  | 30           | 140 | 179 | 225 | 233 | 288 | 233 | 225 | 179 | 140 |
|                  | 30  | 30           | 183 | 244 | 310 | 343 | 431 | 343 | 310 | 244 | 183 |
|                  | 30  | 30           | 217 | 316 | 450 | 459 | 611 | 459 | 450 | 316 | 217 |
|                  | 30  | 30           | 189 | 234 | 340 | 423 | 510 | 423 | 340 | 234 | 189 |

|                  |     | Width 310 mm |     |     |     |     |     |     |     |     |     |
|------------------|-----|--------------|-----|-----|-----|-----|-----|-----|-----|-----|-----|
|                  |     | 25           | 35  | 40  | 40  | 30  | 40  | 40  | 35  | 25  |     |
| Height<br>150 mm | 40° | 30           | 114 | 135 | 165 | 171 | 212 | 171 | 165 | 135 | 114 |
|                  | 30  | 30           | 130 | 167 | 211 | 233 | 288 | 233 | 211 | 167 | 130 |
|                  | 30  | 30           | 129 | 163 | 203 | 259 | 335 | 259 | 203 | 163 | 129 |
|                  | 30  | 30           | 125 | 154 | 192 | 241 | 308 | 241 | 192 | 154 | 125 |
|                  | 30  | 30           | 119 | 144 | 178 | 225 | 291 | 225 | 178 | 144 | 119 |

|                  |     | Width 310 mm |     |     |     |     |     |     |     |     |     |
|------------------|-----|--------------|-----|-----|-----|-----|-----|-----|-----|-----|-----|
|                  |     | 25           | 35  | 40  | 40  | 30  | 40  | 40  | 35  | 25  |     |
| Height<br>150 mm | 45° | 30           | 114 | 135 | 148 | 173 | 220 | 173 | 148 | 135 | 114 |
|                  | 30  | 30           | 143 | 182 | 209 | 245 | 300 | 245 | 209 | 182 | 143 |
|                  | 30  | 30           | 189 | 231 | 293 | 366 | 381 | 366 | 293 | 231 | 189 |
|                  | 30  | 30           | 212 | 299 | 451 | 535 | 609 | 535 | 451 | 299 | 212 |
|                  | 30  | 30           | 186 | 231 | 334 | 495 | 500 | 495 | 334 | 231 | 186 |

|                  |     | Width 310 mm |     |     |     |     |     |     |     |     |     |
|------------------|-----|--------------|-----|-----|-----|-----|-----|-----|-----|-----|-----|
|                  |     | 25           | 35  | 40  | 40  | 30  | 40  | 40  | 35  | 25  |     |
| Height<br>150 mm | 45° | 30           | 114 | 135 | 148 | 173 | 220 | 173 | 148 | 135 | 114 |
|                  | 30  | 30           | 140 | 182 | 209 | 245 | 300 | 245 | 209 | 182 | 140 |
|                  | 30  | 30           | 140 | 182 | 229 | 292 | 381 | 292 | 229 | 182 | 140 |
|                  | 30  | 30           | 137 | 174 | 219 | 273 | 352 | 273 | 219 | 174 | 137 |
|                  | 30  | 30           | 131 | 164 | 206 | 258 | 334 | 258 | 206 | 164 | 131 |

|                  |     | Width 310 mm |     |     |     |     |     |     |     |     |     |
|------------------|-----|--------------|-----|-----|-----|-----|-----|-----|-----|-----|-----|
|                  |     | 25           | 35  | 40  | 40  | 30  | 40  | 40  | 35  | 25  |     |
| Height<br>150 mm | 50° | 30           | 109 | 132 | 161 | 197 | 242 | 197 | 161 | 132 | 109 |
|                  | 30  | 30           | 138 | 180 | 232 | 285 | 350 | 285 | 232 | 180 | 138 |
|                  | 30  | 30           | 179 | 246 | 329 | 427 | 437 | 427 | 329 | 246 | 179 |
|                  | 30  | 30           | 199 | 294 | 438 | 544 | 602 | 544 | 438 | 294 | 199 |
|                  | 30  | 30           | 176 | 227 | 326 | 477 | 454 | 477 | 326 | 227 | 176 |

|                  |     | Width 310 mm |     |     |     |     |     |     |     |     |     |
|------------------|-----|--------------|-----|-----|-----|-----|-----|-----|-----|-----|-----|
|                  |     | 25           | 35  | 40  | 40  | 30  | 40  | 40  | 35  | 25  |     |
| Height<br>150 mm | 50° | 30           | 109 | 132 | 161 | 197 | 242 | 197 | 161 | 132 | 109 |
|                  | 30  | 30           | 138 | 180 | 232 | 285 | 350 | 285 | 232 | 180 | 138 |
|                  | 30  | 30           | 175 | 235 | 297 | 364 | 437 | 364 | 297 | 235 | 175 |
|                  | 30  | 30           | 173 | 233 | 300 | 369 | 448 | 369 | 300 | 233 | 173 |
|                  | 30  | 30           | 168 | 223 | 282 | 357 | 432 | 357 | 282 | 223 | 168 |

|                  |     | Width 310 mm |     |     |     |     |     |     |     |     |     |
|------------------|-----|--------------|-----|-----|-----|-----|-----|-----|-----|-----|-----|
|                  |     | 25           | 35  | 40  | 40  | 30  | 40  | 40  | 35  | 25  |     |
| Height<br>150 mm | 55° | 30           | 104 | 129 | 163 | 208 | 260 | 208 | 163 | 129 | 104 |
|                  | 30  | 30           | 132 | 178 | 241 | 307 | 400 | 307 | 241 | 178 | 132 |
|                  | 30  | 30           | 169 | 245 | 344 | 461 | 493 | 461 | 344 | 245 | 169 |
|                  | 30  | 30           | 186 | 268 | 392 | 516 | 594 | 516 | 392 | 268 | 186 |
|                  | 30  | 30           | 165 | 206 | 294 | 423 | 423 | 423 | 294 | 206 | 165 |

|                  |     | Width 310 mm |     |     |     |     |     |     |     |     |     |
|------------------|-----|--------------|-----|-----|-----|-----|-----|-----|-----|-----|-----|
|                  |     | 25           | 35  | 40  | 40  | 30  | 40  | 40  | 35  | 25  |     |
| Height<br>150 mm | 55° | 30           | 104 | 129 | 163 | 208 | 260 | 208 | 163 | 129 | 104 |
|                  | 30  | 30           | 132 | 178 | 241 | 307 | 400 | 307 | 241 | 178 | 132 |
|                  | 30  | 30           | 169 | 245 | 344 | 436 | 493 | 436 | 344 | 245 | 169 |
|                  | 30  | 30           | 186 | 268 | 382 | 465 | 543 | 465 | 382 | 268 | 186 |
|                  | 30  | 30           | 165 | 206 | 294 | 423 | 423 | 423 | 294 | 206 | 165 |

# AERIAL CAM UNIT FCC-LV 2016.26.026./031.

## FORCE DIAGRAM



Support via cast shoulder

|                  |    | Width 310 mm |     |     |     |     |     |     |     |     |
|------------------|----|--------------|-----|-----|-----|-----|-----|-----|-----|-----|
| 60°              |    | 25           | 35  | 40  | 40  | 30  | 40  | 40  | 35  | 25  |
| Height<br>150 mm | 30 | 100          | 126 | 166 | 219 | 278 | 219 | 166 | 126 | 100 |
|                  | 30 | 126          | 176 | 249 | 329 | 446 | 329 | 249 | 176 | 126 |
|                  | 30 | 160          | 243 | 359 | 495 | 548 | 495 | 359 | 243 | 160 |
|                  | 30 | 174          | 242 | 346 | 487 | 586 | 487 | 346 | 242 | 174 |
|                  | 30 | 155          | 186 | 261 | 369 | 392 | 369 | 261 | 186 | 155 |

Support via feather key

|                  |    | Width 310 mm |     |     |     |     |     |     |     |     |
|------------------|----|--------------|-----|-----|-----|-----|-----|-----|-----|-----|
| 60°              |    | 25           | 35  | 40  | 40  | 30  | 40  | 40  | 35  | 25  |
| Height<br>150 mm | 30 | 100          | 126 | 166 | 219 | 278 | 219 | 166 | 126 | 100 |
|                  | 30 | 126          | 176 | 249 | 329 | 446 | 329 | 249 | 176 | 126 |
|                  | 30 | 160          | 243 | 359 | 495 | 548 | 495 | 359 | 243 | 160 |
|                  | 30 | 174          | 242 | 346 | 487 | 550 | 487 | 346 | 242 | 174 |
|                  | 30 | 155          | 186 | 261 | 369 | 392 | 369 | 261 | 186 | 155 |

|                  |    | Width 310 mm |     |     |     |     |     |     |     |     |
|------------------|----|--------------|-----|-----|-----|-----|-----|-----|-----|-----|
| 65°              |    | 25           | 35  | 40  | 40  | 30  | 40  | 40  | 35  | 25  |
| Height<br>150 mm | 30 | 100          | 130 | 171 | 229 | 288 | 229 | 171 | 130 | 100 |
|                  | 30 | 129          | 179 | 253 | 353 | 461 | 353 | 253 | 179 | 129 |
|                  | 30 | 162          | 248 | 364 | 513 | 561 | 513 | 364 | 248 | 162 |
|                  | 30 | 177          | 244 | 351 | 486 | 569 | 486 | 351 | 244 | 177 |
|                  | 30 | 156          | 186 | 261 | 362 | 389 | 362 | 261 | 186 | 156 |

|                  |    | Width 310 mm |     |     |     |     |     |     |     |     |
|------------------|----|--------------|-----|-----|-----|-----|-----|-----|-----|-----|
| 65°              |    | 25           | 35  | 40  | 40  | 30  | 40  | 40  | 35  | 25  |
| Height<br>150 mm | 30 | 100          | 130 | 171 | 229 | 288 | 229 | 171 | 130 | 100 |
|                  | 30 | 129          | 179 | 253 | 353 | 461 | 353 | 253 | 179 | 129 |
|                  | 30 | 162          | 248 | 364 | 513 | 550 | 513 | 364 | 248 | 162 |
|                  | 30 | 177          | 244 | 351 | 486 | 550 | 486 | 351 | 244 | 177 |
|                  | 30 | 156          | 186 | 261 | 362 | 389 | 362 | 261 | 186 | 156 |

|                  |    | Width 310 mm |     |     |     |     |     |     |     |     |
|------------------|----|--------------|-----|-----|-----|-----|-----|-----|-----|-----|
| 70°              |    | 25           | 35  | 40  | 40  | 30  | 40  | 40  | 35  | 25  |
| Height<br>150 mm | 30 | 101          | 133 | 177 | 239 | 298 | 239 | 177 | 133 | 101 |
|                  | 30 | 132          | 182 | 256 | 377 | 476 | 377 | 256 | 182 | 132 |
|                  | 30 | 164          | 253 | 368 | 531 | 573 | 531 | 368 | 253 | 164 |
|                  | 30 | 180          | 246 | 355 | 485 | 552 | 485 | 355 | 246 | 180 |
|                  | 30 | 157          | 186 | 260 | 356 | 385 | 356 | 260 | 186 | 157 |

|                  |    | Width 310 mm |     |     |     |     |     |     |     |     |
|------------------|----|--------------|-----|-----|-----|-----|-----|-----|-----|-----|
| 70°              |    | 25           | 35  | 40  | 40  | 30  | 40  | 40  | 35  | 25  |
| Height<br>150 mm | 30 | 101          | 133 | 177 | 239 | 298 | 239 | 177 | 133 | 101 |
|                  | 30 | 132          | 182 | 256 | 377 | 476 | 377 | 256 | 182 | 132 |
|                  | 30 | 164          | 253 | 368 | 531 | 550 | 531 | 368 | 253 | 164 |
|                  | 30 | 180          | 246 | 355 | 485 | 550 | 485 | 355 | 246 | 180 |
|                  | 30 | 157          | 186 | 260 | 356 | 385 | 356 | 260 | 186 | 157 |

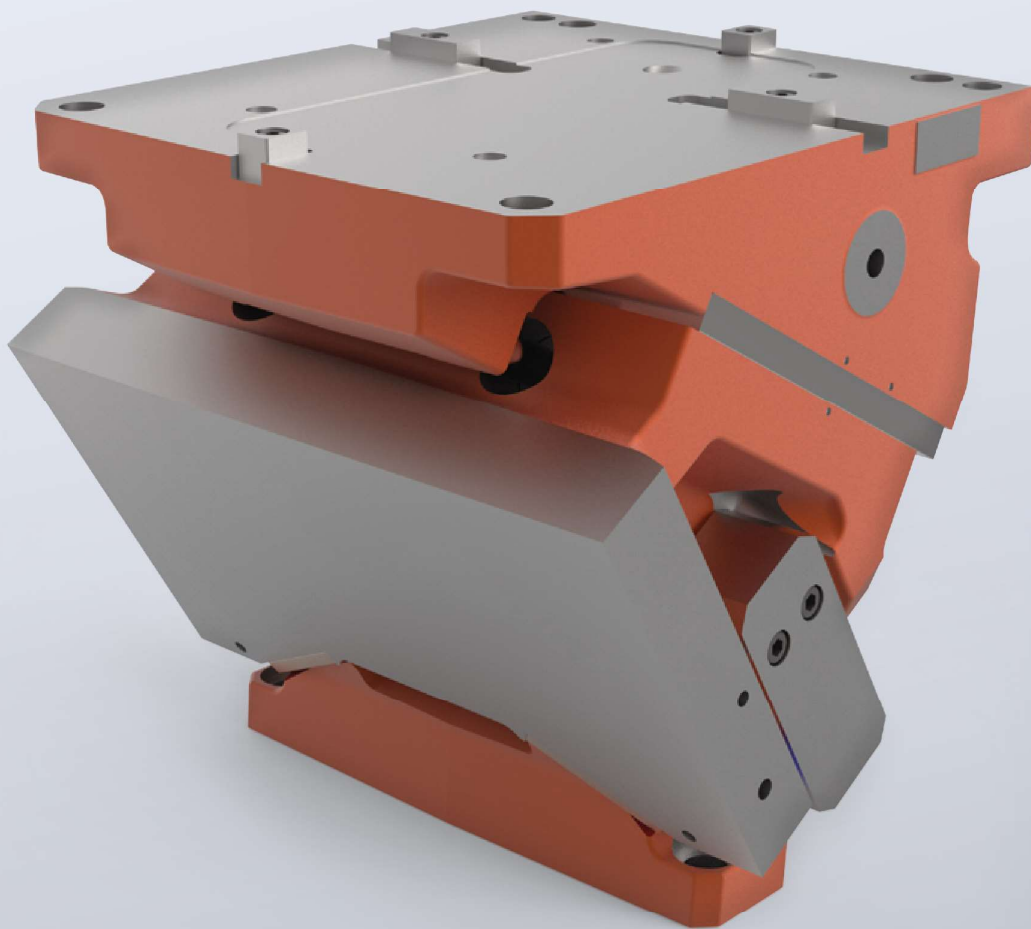
|                  |    | Width 310 mm |     |     |     |     |     |     |     |     |
|------------------|----|--------------|-----|-----|-----|-----|-----|-----|-----|-----|
| 75°              |    | 25           | 35  | 40  | 40  | 30  | 40  | 40  | 35  | 25  |
| Height<br>150 mm | 30 | 102          | 137 | 182 | 249 | 308 | 249 | 182 | 137 | 102 |
|                  | 30 | 135          | 186 | 260 | 401 | 490 | 401 | 260 | 186 | 135 |
|                  | 30 | 166          | 257 | 373 | 549 | 586 | 549 | 373 | 257 | 166 |
|                  | 30 | 184          | 248 | 359 | 483 | 535 | 483 | 359 | 248 | 184 |
|                  | 30 | 157          | 186 | 260 | 350 | 382 | 350 | 260 | 186 | 157 |

|                  |    | Width 310 mm |     |     |     |     |     |     |     |     |
|------------------|----|--------------|-----|-----|-----|-----|-----|-----|-----|-----|
| 75°              |    | 25           | 35  | 40  | 40  | 30  | 40  | 40  | 35  | 25  |
| Height<br>150 mm | 30 | 102          | 137 | 182 | 249 | 308 | 249 | 182 | 137 | 102 |
|                  | 30 | 135          | 186 | 260 | 401 | 490 | 401 | 260 | 186 | 135 |
|                  | 30 | 166          | 257 | 373 | 549 | 550 | 549 | 373 | 257 | 166 |
|                  | 30 | 184          | 248 | 359 | 483 | 535 | 483 | 359 | 248 | 184 |
|                  | 30 | 157          | 186 | 260 | 350 | 382 | 350 | 260 | 186 | 157 |

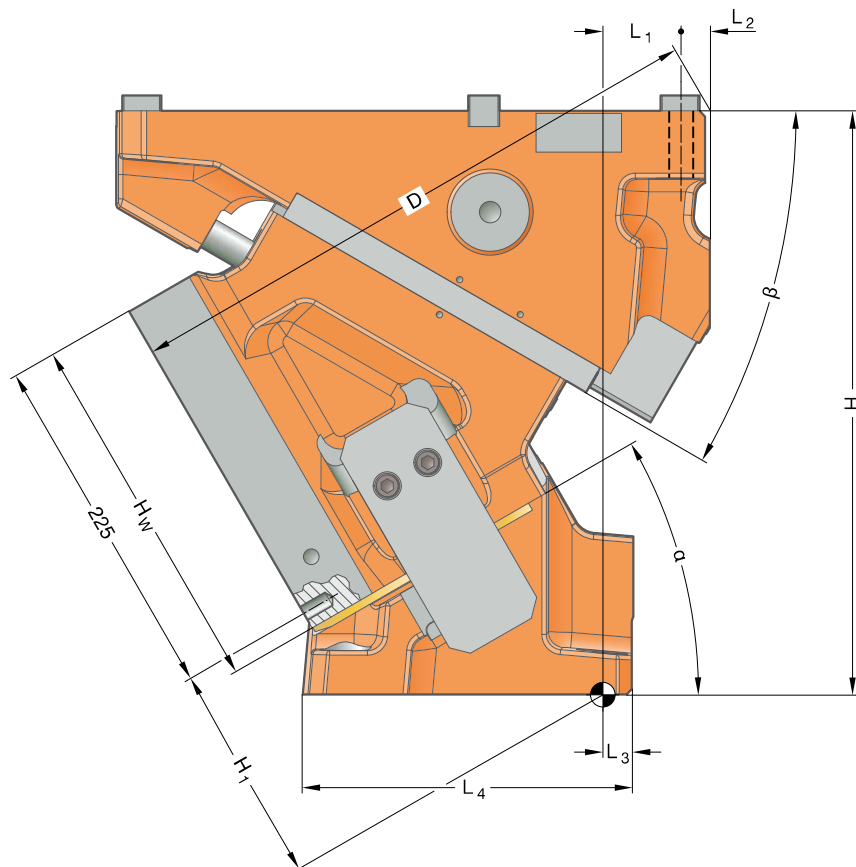
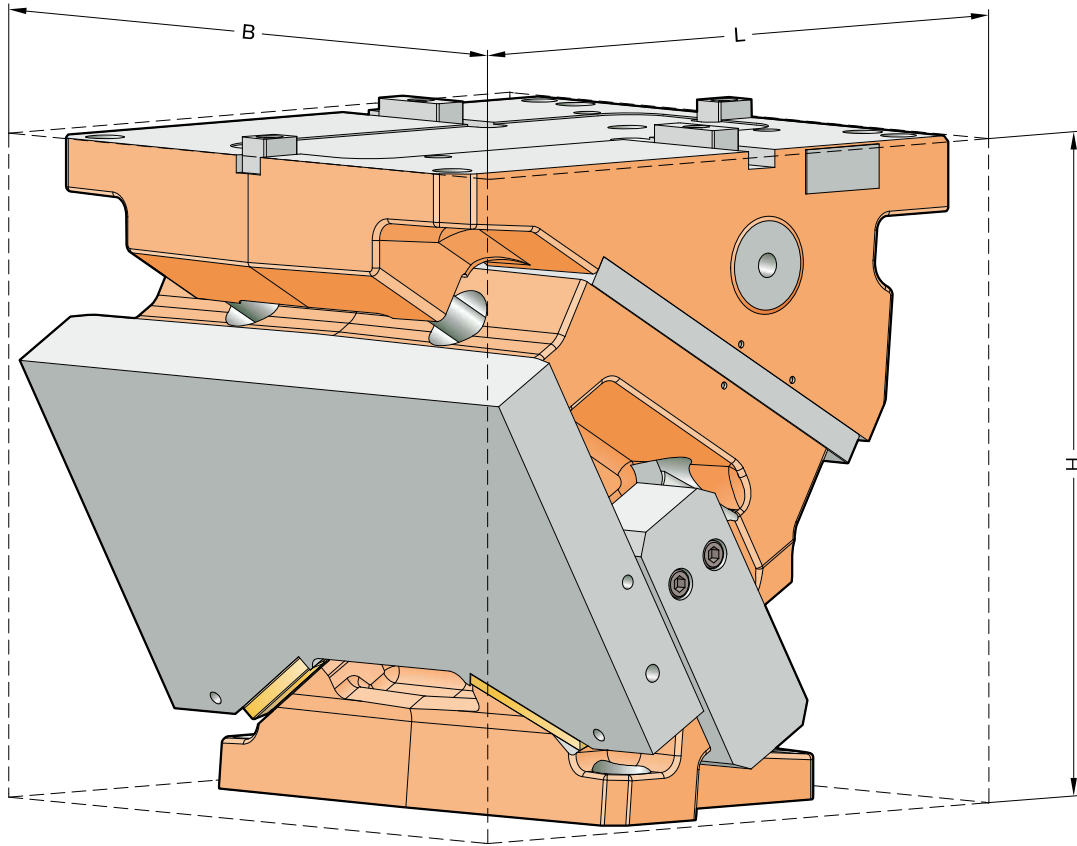


AERIAL CAM UNIT FCC-LV  
**2016.26.034./040.**

Working width: 340/400 mm  
Performance class: 780 kN

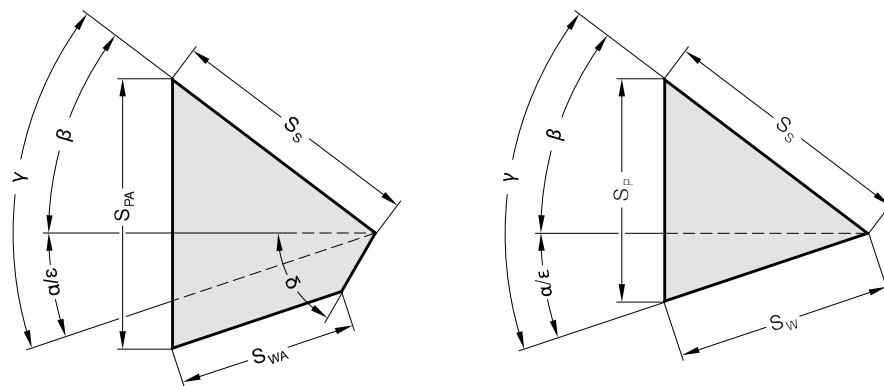


AERIAL CAM UNIT FCC-LV 2016.26.034./040.  
**SIZE TABLE**



# AERIAL CAM UNIT FCC-LV 2016.26.034./040.

## SIZE TABLE



| Order No               | L<br>[mm] | B<br>[mm] | H<br>[mm] | H <sub>1</sub><br>[mm] | H <sub>W</sub><br>[mm] | L <sub>1</sub><br>[mm] | L <sub>2</sub><br>[mm] | L <sub>3</sub><br>[mm] | L <sub>4</sub><br>[mm] | D<br>[mm] | α<br>[°] | β<br>[°] | δ<br>[°] | S <sub>W</sub> *<br>[mm] | S <sub>WA</sub> *<br>[mm] | S <sub>S</sub><br>[mm] | S <sub>P</sub> *<br>[mm] | S <sub>PA</sub> *<br>[mm] |
|------------------------|-----------|-----------|-----------|------------------------|------------------------|------------------------|------------------------|------------------------|------------------------|-----------|----------|----------|----------|--------------------------|---------------------------|------------------------|--------------------------|---------------------------|
| 2026.26.040.00.1000.00 | 354       | 340       | 375       | 78                     | 190                    | 87                     | 23                     | 20                     | 264                    | 352,5     | 0        | 50       | 50       | (32)                     | 25,7                      | 50                     | (38)                     | 46,0                      |
| 2026.26.034.00.1000.00 |           | 400       |           |                        |                        |                        |                        |                        |                        |           |          |          |          |                          |                           |                        |                          |                           |
| 2026.26.040.05.1000.00 | 370       | 340       | 375       | 88,98                  | 190                    | 81                     | 23                     | 20                     | 256                    | 369,88    | 5        | 45       | 55       | (35)                     | 29,7                      | 50                     | (38)                     | 46,1                      |
| 2026.26.034.05.1000.00 |           | 400       |           |                        |                        |                        |                        |                        |                        |           |          |          |          |                          |                           |                        |                          |                           |
| 2026.26.040.10.1000.00 | 379       | 340       | 375       | 101,78                 | 190                    | 64                     | 23                     | 20                     | 274                    | 383,63    | 10       | 40       | 60       | (39)                     | 33,8                      | 50                     | (39)                     | 46,7                      |
| 2026.26.034.10.1000.00 |           | 400       |           |                        |                        |                        |                        |                        |                        |           |          |          |          |                          |                           |                        |                          |                           |
| 2026.26.040.15.1000.00 | 393       | 340       | 375       | 113,87                 | 190                    | 50                     | 23                     | 20                     | 269                    | 392,83    | 15       | 35       | 65       | (42)                     | 38,0                      | 50                     | (40)                     | 47,6                      |
| 2026.26.034.15.1000.00 |           | 400       |           |                        |                        |                        |                        |                        |                        |           |          |          |          |                          |                           |                        |                          |                           |
| 2026.26.040.20.1000.00 | 379       | 340       | 375       | 117,22                 | 190                    | 78                     | 23                     | 20                     | 213                    | 386,95    | 20       | 40       | 50       | (41)                     | 33,9                      | 50                     | (46)                     | 51,4                      |
| 2026.26.034.20.1000.00 |           | 400       |           |                        |                        |                        |                        |                        |                        |           |          |          |          |                          |                           |                        |                          |                           |
| 2026.26.040.25.1000.00 | 393       | 340       | 375       | 127,53                 | 190                    | 62                     | 23                     | 20                     | 210                    | 392,03    | 25       | 35       | 55       | (45)                     | 38,9                      | 50                     | (48)                     | 53,3                      |
| 2026.26.034.25.1000.00 |           | 400       |           |                        |                        |                        |                        |                        |                        |           |          |          |          |                          |                           |                        |                          |                           |
| 2026.26.040.30.1000.00 | 382       | 340       | 375       | 140,08                 | 190                    | 46                     | 23                     | 20                     | 212                    | 387,39    | 30       | 30       | 60       | (45)                     | 39,2                      | 45                     | (45)                     | 50,8                      |
| 2026.26.034.30.1000.00 |           | 400       |           |                        |                        |                        |                        |                        |                        |           |          |          |          |                          |                           |                        |                          |                           |
| 2026.26.040.35.1000.00 | 392       | 340       | 375       | 148,52                 | 190                    | 31                     | 23                     | 20                     | 205                    | 384,86    | 35       | 25       | 65       | (50)                     | 44,6                      | 45                     | (48)                     | 53,7                      |
| 2026.26.034.35.1000.00 |           | 400       |           |                        |                        |                        |                        |                        |                        |           |          |          |          |                          |                           |                        |                          |                           |
| 2026.26.040.40.1000.00 | 382       | 340       | 375       | 152,01                 | 190                    | 35                     | 23                     | 20                     | 197                    | 389,97    | 40       | 30       | 60       | (51)                     | 44,3                      | 45                     | (55)                     | 59,7                      |
| 2026.26.034.40.1000.00 |           | 400       |           |                        |                        |                        |                        |                        |                        |           |          |          |          |                          |                           |                        |                          |                           |
| 2026.26.040.45.1000.00 | 392       | 340       | 375       | 158,49                 | 190                    | 20                     | 23                     | 20                     | 190                    | 383,57    | 45       | 25       | 65       | (58)                     | 51,7                      | 45                     | (60)                     | 64,6                      |
| 2026.26.034.45.1000.00 |           | 400       |           |                        |                        |                        |                        |                        |                        |           |          |          |          |                          |                           |                        |                          |                           |
| 2026.26.040.50.1000.00 | 372       | 340       | 375       | 160,81                 | 190                    | 329                    | 353                    | 20                     | 183                    | 370,93    | 50       | 20       | -        | 48,2                     | -                         | 33                     | 48,2                     | -                         |
| 2026.26.034.50.1000.00 |           | 400       |           |                        |                        |                        |                        |                        |                        |           |          |          |          |                          |                           |                        |                          |                           |
| 2026.26.040.55.1000.00 | 393       | 340       | 375       | 161,98                 | 190                    | 350                    | 353                    | 20                     | 176                    | 363,6     | 55       | 15       | -        | 55,6                     | -                         | 33                     | 54,1                     | -                         |
| 2026.26.034.55.1000.00 |           | 400       |           |                        |                        |                        |                        |                        |                        |           |          |          |          |                          |                           |                        |                          |                           |
| 2026.26.040.60.1000.00 | 390       | 340       | 375       | 160,54                 | 190                    | 351                    | 353                    | 20                     | 180                    | 372,86    | 60       | 20       | -        | 54,5                     | -                         | 29                     | 57,1                     | -                         |
| 2026.26.034.60.1000.00 |           | 400       |           |                        |                        |                        |                        |                        |                        |           |          |          |          |                          |                           |                        |                          |                           |
| 2026.26.040.65.1000.00 | 416       | 340       | 375       | 160,23                 | 190                    | 372                    | 353                    | 20                     | 173                    | 363,7     | 65       | 15       | -        | 66,3                     | -                         | 29                     | 67,6                     | -                         |
| 2026.26.034.65.1000.00 |           | 400       |           |                        |                        |                        |                        |                        |                        |           |          |          |          |                          |                           |                        |                          |                           |
| 2026.26.040.70.1000.00 | 415       | 340       | 375       | 155,92                 | 190                    | 375                    | 348                    | 20                     | 167                    | 345,54    | 70       | 10       | -        | 63,3                     | -                         | 22                     | 63,3                     | -                         |
| 2026.26.034.70.1000.00 |           | 400       |           |                        |                        |                        |                        |                        |                        |           |          |          |          |                          |                           |                        |                          |                           |
| 2026.26.040.75.1000.00 | 440       | 340       | 375       | 151,97                 | 190                    | 398                    | 348                    | 20                     | 158                    | 336,95    | 75       | 5        | -        | 69,3                     | -                         | 18                     | 68,5                     | -                         |
| 2026.26.034.75.1000.00 |           | 400       |           |                        |                        |                        |                        |                        |                        |           |          |          |          |                          |                           |                        |                          |                           |

### Fastening

Hexagon socket head cap screws DIN EN ISO 4762 / Strength class min. 8.8  
Dowel pins DIN EN ISO 8735

### Cam base:

4 × M20  
2 × ø20

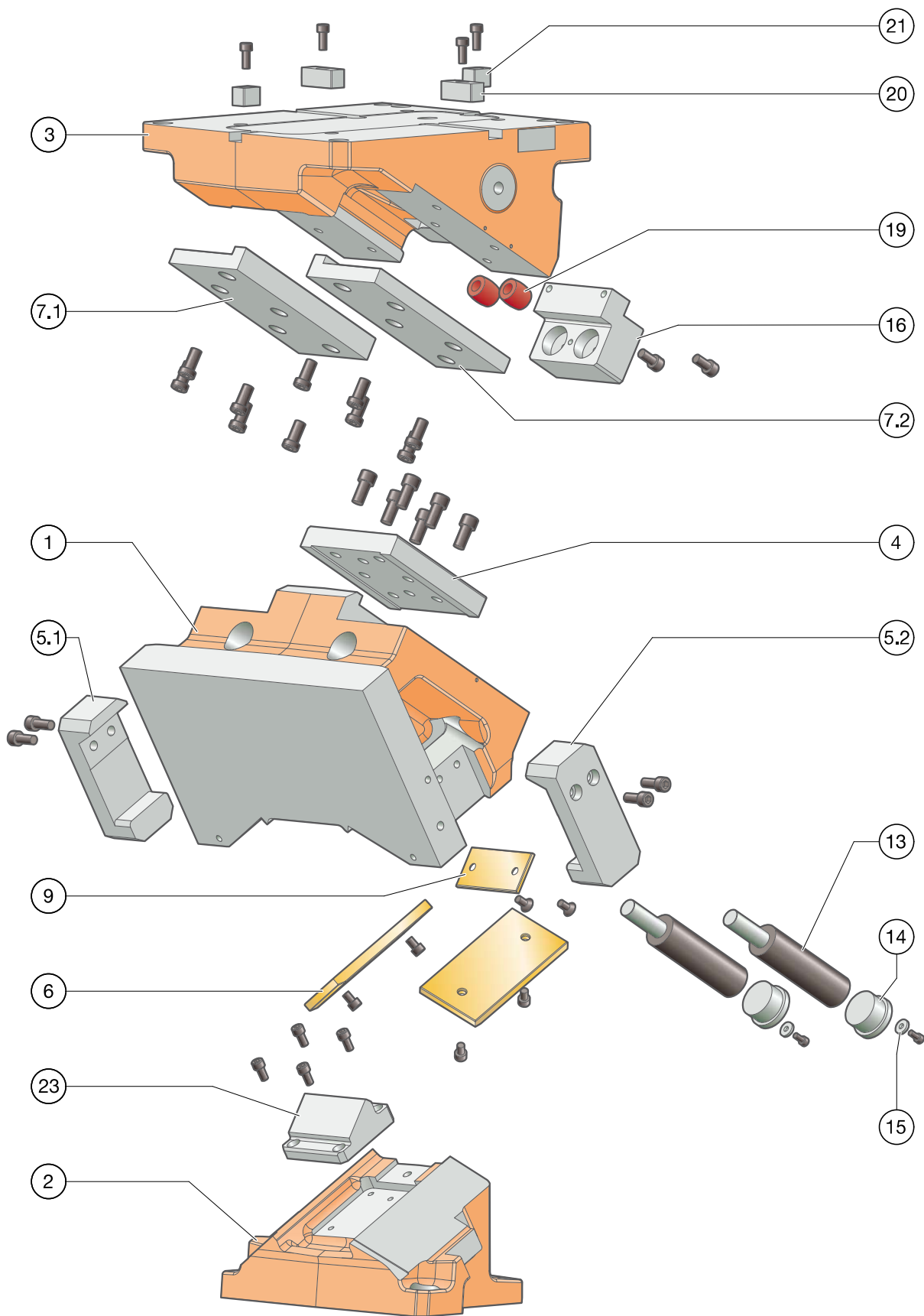
### Driver:

4 × M20  
2 × ø20



# AERIAL CAM UNIT FCC-LV 2016.26.034./040.

## EXPLODED VIEW



# AERIAL CAM UNIT FCC-LV 2016.26.034./040.

## PARTS LIST



| Item No.        | Pcs. | Designation                  | Material                    | tuned | Spare part |
|-----------------|------|------------------------------|-----------------------------|-------|------------|
| 1               | 1    | Cam slider                   | EN-JS-1060                  | --    | --         |
| 2               | 1    | Driver                       | EN-JS-1060                  | --    | --         |
| 3               | 1    | Cam base                     | EN-JS-1060                  | --    | --         |
| 4               | 1    | Centre guide                 | 1.2379                      | --    | x          |
| 5.1             | 1    | mechanical retraction, left  | 1.1191 with sinter layer    | x     | x          |
| 5.2             | 1    | mechanical retraction, right | 1.1191 with sinter layer    | x     | x          |
| 6               | 2    | Sliding plate                | Bronze with solid lubricant | --    | x          |
| 7.1             | 1    | L-guide, left                | 1.1191 with sinter layer    | x     | x          |
| 7.2             | 1    | L-guide, right               | 1.1191 with sinter layer    | x     | x          |
| 8               |      |                              |                             |       |            |
| 9               | 1    | Sliding plate                | Bronze with solid lubricant | --    | x          |
| 10              |      |                              |                             |       |            |
| 11              |      |                              |                             |       |            |
| 12              |      |                              |                             |       |            |
| 13              | 2    | Gas spring                   | 2487.12.00.500.□□□          | --    | x          |
| 14              | 2    | Locking tappet               | 1.7131                      | --    | x          |
| 15              | 2    | Locking tappet pin           |                             |       | x          |
| 16              | 1    | Slide stop                   | 1.1191                      | --    | x          |
| 17 (not shown)  | 1    | Spacer                       |                             |       | x          |
| 18 (not shown)  | 1    | Lockout system               | 1.1191                      | --    | x          |
| 19              | 2    | Damper                       | Elastomer                   | --    | x          |
| 20              | 2    | Feather key (T-nut)          | 1.1191                      | --    | x          |
| 21              | 2    | Feather key (T-nut)          | 1.1191                      | --    | x          |
| 22              |      |                              |                             |       |            |
| 23              | 1    | pre-acceleration             | 1.2379                      | --    | x          |
| 24* (not shown) | 2    | Spacer                       | 1.1191                      | --    | x          |

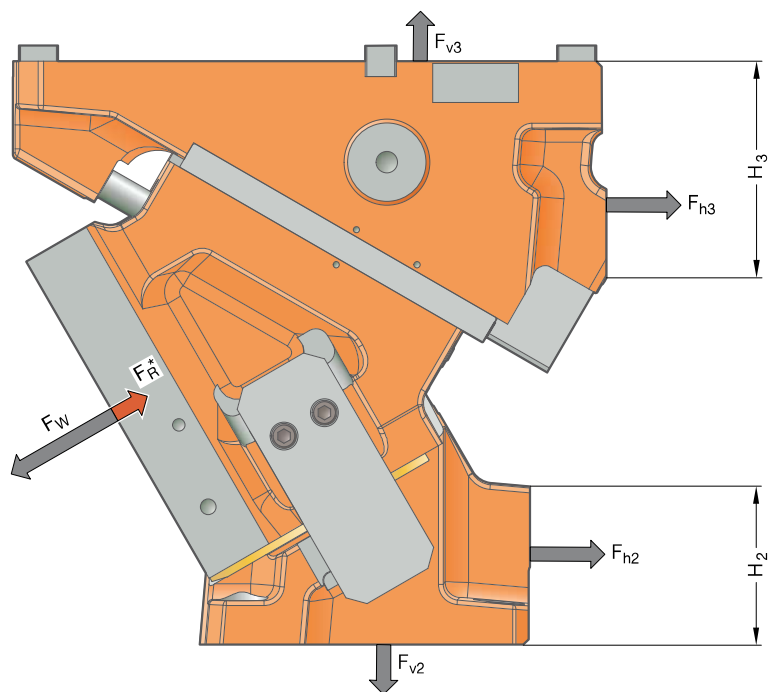
\* not installed at all angles

For inquiries or when ordering spare parts (x), we require the following data:

- Cam unit order no.
- Cam unit serial number
- Item No. / Designation / Spare part

# AERIAL CAM UNIT FCC-LV 2016.26.034./040.

## SYSTEM AND SURROUNDING FORCES



All force specifications in this catalogue of the Series 2016.26 are pre-assigned values that provide a higher safety factor.

| Order No               | $\alpha$<br>[°] | $F_W$<br>[kN] | $F_R^*$<br>[kN] | $F_{h2}$<br>[kN] | $F_{v2}$<br>[kN] | $F_{h3}$<br>[kN] | $F_{v3}$<br>[kN] | $H_2$<br>[mm] | $H_3$<br>[mm] |
|------------------------|-----------------|---------------|-----------------|------------------|------------------|------------------|------------------|---------------|---------------|
| 2016.26.0□□.00.1000.00 | 0               | 777           | 50              | -56              | 805              | 833              | 805              | 53            | 227           |
| 2016.26.0□□.05.1000.00 | 5               | 777           | 50              | 14               | 807              | 760              | 874              | 66            | 207           |
| 2016.26.0□□.10.1000.00 | 10              | 777           | 50              | 84               | 802              | 681              | 937              | 67            | 186           |
| 2016.26.0□□.15.1000.00 | 15              | 777           | 50              | 154              | 792              | 597              | 993              | 82            | 168           |
| 2016.26.0□□.20.1000.00 | 20              | 790           | 50              | 155              | 539              | 588              | 809              | 82            | 186           |
| 2016.26.0□□.25.1000.00 | 25              | 800           | 50              | 203              | 530              | 522              | 868              | 96            | 168           |
| 2016.26.0□□.30.1000.00 | 30              | 777           | 50              | 242              | 496              | 431              | 884              | 102           | 139           |
| 2016.26.0□□.35.1000.00 | 35              | 790           | 50              | 289              | 481              | 358              | 934              | 118           | 122           |
| 2016.26.0□□.40.1000.00 | 40              | 786           | 50              | 213              | 293              | 389              | 798              | 104           | 139           |
| 2016.26.0□□.45.1000.00 | 45              | 782           | 50              | 236              | 272              | 317              | 825              | 122           | 122           |
| 2016.26.0□□.50.1000.00 | 50              | 791           | 50              | 262              | 253              | 246              | 859              | 120           | 94            |
| 2016.26.0□□.55.1000.00 | 55              | 800           | 50              | 286              | 232              | 172              | 887              | 134           | 91            |
| 2016.26.0□□.60.1000.00 | 60              | 825           | 50              | 174              | 117              | 238              | 832              | 115           | 94            |
| 2016.26.0□□.65.1000.00 | 65              | 800           | 50              | 178              | 99               | 160              | 824              | 129           | 91            |
| 2016.26.0□□.70.1000.00 | 70              | 792           | 50              | 184              | 82               | 87               | 826              | 138           | 72            |
| 2016.26.0□□.75.1000.00 | 75              | 784           | 50              | 189              | 65               | 14               | 822              | 152           | 62            |

\* Retraction force values correspond to the spring-generated retraction force at the working point

The forces  $F_{h2}$ ,  $F_{v2}$  as well as  $F_{h3}$ ,  $F_{v3}$  act on the tool environment at maximum working force  $F_W$ .

# AERIAL CAM UNIT FCC-LV 2016.26.034./040.

## FORCE DIAGRAM



Support via cast shoulder

|                  |    | Width 400 mm |     |     |     |     |     |     |     |     |
|------------------|----|--------------|-----|-----|-----|-----|-----|-----|-----|-----|
| 0°               |    | 30           | 50  | 50  | 50  | 40  | 50  | 50  | 50  | 30  |
| Height<br>190 mm | 38 | 155          | 178 | 227 | 285 | 352 | 285 | 227 | 178 | 155 |
|                  | 38 | 191          | 221 | 282 | 362 | 456 | 362 | 282 | 221 | 191 |
|                  | 38 | 244          | 293 | 360 | 462 | 602 | 462 | 360 | 293 | 244 |
|                  | 38 | 271          | 338 | 450 | 628 | 777 | 628 | 450 | 338 | 271 |
|                  | 38 | 227          | 277 | 367 | 494 | 619 | 494 | 367 | 277 | 227 |

Support via feather key

|                  |    | Width 400 mm |    |    |    |     |    |    |    |    |
|------------------|----|--------------|----|----|----|-----|----|----|----|----|
| 0°               |    | 30           | 50 | 50 | 50 | 40  | 50 | 50 | 50 | 30 |
| Height<br>190 mm | 38 | 52           | 57 | 73 | 91 | 117 | 91 | 73 | 57 | 52 |
|                  | 38 | 55           | 60 | 75 | 93 | 119 | 93 | 75 | 60 | 55 |
|                  | 38 | 52           | 57 | 70 | 86 | 109 | 86 | 70 | 57 | 52 |
|                  | 38 | 50           | 54 | 66 | 83 | 104 | 83 | 66 | 54 | 50 |
|                  | 38 | 47           | 52 | 61 | 78 | 100 | 78 | 61 | 52 | 47 |

|                  |    | Width 400 mm |     |     |     |     |     |     |     |     |
|------------------|----|--------------|-----|-----|-----|-----|-----|-----|-----|-----|
| 5°               |    | 30           | 50  | 50  | 50  | 40  | 50  | 50  | 50  | 30  |
| Height<br>190 mm | 38 | 155          | 179 | 227 | 286 | 352 | 286 | 227 | 179 | 155 |
|                  | 38 | 191          | 222 | 283 | 363 | 457 | 363 | 283 | 222 | 191 |
|                  | 38 | 242          | 293 | 363 | 465 | 605 | 465 | 363 | 293 | 242 |
|                  | 38 | 266          | 336 | 448 | 629 | 777 | 629 | 448 | 336 | 266 |
|                  | 38 | 225          | 274 | 366 | 490 | 627 | 490 | 366 | 274 | 225 |

|                  |    | Width 400 mm |    |    |     |     |     |    |    |    |
|------------------|----|--------------|----|----|-----|-----|-----|----|----|----|
| 5°               |    | 30           | 50 | 50 | 50  | 40  | 50  | 50 | 50 | 30 |
| Height<br>190 mm | 38 | 60           | 66 | 84 | 105 | 133 | 105 | 84 | 66 | 60 |
|                  | 38 | 63           | 70 | 87 | 109 | 137 | 109 | 87 | 70 | 63 |
|                  | 38 | 59           | 65 | 81 | 99  | 126 | 99  | 81 | 65 | 59 |
|                  | 38 | 56           | 62 | 75 | 94  | 119 | 94  | 75 | 62 | 56 |
|                  | 38 | 54           | 58 | 69 | 88  | 113 | 88  | 69 | 58 | 54 |

|                  |    | Width 400 mm |     |     |     |     |     |     |     |     |
|------------------|----|--------------|-----|-----|-----|-----|-----|-----|-----|-----|
| 10°              |    | 30           | 50  | 50  | 50  | 40  | 50  | 50  | 50  | 30  |
| Height<br>190 mm | 38 | 155          | 179 | 228 | 287 | 353 | 287 | 228 | 179 | 155 |
|                  | 38 | 190          | 223 | 284 | 365 | 459 | 365 | 284 | 223 | 190 |
|                  | 38 | 241          | 294 | 366 | 468 | 608 | 468 | 366 | 294 | 241 |
|                  | 38 | 261          | 334 | 446 | 630 | 777 | 630 | 446 | 334 | 261 |
|                  | 38 | 222          | 271 | 365 | 485 | 634 | 485 | 365 | 271 | 222 |

|                  |    | Width 400 mm |    |    |     |     |     |    |    |    |
|------------------|----|--------------|----|----|-----|-----|-----|----|----|----|
| 10°              |    | 30           | 50 | 50 | 50  | 40  | 50  | 50 | 50 | 30 |
| Height<br>190 mm | 38 | 67           | 76 | 95 | 119 | 149 | 119 | 95 | 76 | 67 |
|                  | 38 | 70           | 79 | 99 | 124 | 155 | 124 | 99 | 79 | 70 |
|                  | 38 | 66           | 74 | 91 | 113 | 143 | 113 | 91 | 74 | 66 |
|                  | 38 | 62           | 69 | 84 | 105 | 133 | 105 | 84 | 69 | 62 |
|                  | 38 | 60           | 65 | 77 | 98  | 127 | 98  | 77 | 65 | 60 |

|                  |    | Width 400 mm |     |     |     |     |     |     |     |     |
|------------------|----|--------------|-----|-----|-----|-----|-----|-----|-----|-----|
| 15°              |    | 30           | 50  | 50  | 50  | 40  | 50  | 50  | 50  | 30  |
| Height<br>190 mm | 38 | 155          | 180 | 228 | 289 | 353 | 289 | 228 | 180 | 155 |
|                  | 38 | 190          | 224 | 286 | 366 | 460 | 366 | 286 | 224 | 190 |
|                  | 38 | 240          | 294 | 369 | 470 | 611 | 470 | 369 | 294 | 240 |
|                  | 38 | 255          | 332 | 444 | 630 | 777 | 630 | 444 | 332 | 255 |
|                  | 38 | 220          | 268 | 364 | 481 | 642 | 481 | 364 | 268 | 220 |

|                  |    | Width 400 mm |    |     |     |     |     |     |    |    |
|------------------|----|--------------|----|-----|-----|-----|-----|-----|----|----|
| 15°              |    | 30           | 50 | 50  | 50  | 40  | 50  | 50  | 50 | 30 |
| Height<br>190 mm | 38 | 75           | 85 | 106 | 133 | 166 | 133 | 106 | 85 | 75 |
|                  | 38 | 78           | 89 | 111 | 139 | 174 | 139 | 111 | 89 | 78 |
|                  | 38 | 73           | 82 | 101 | 127 | 160 | 127 | 101 | 82 | 73 |
|                  | 38 | 69           | 77 | 93  | 116 | 148 | 116 | 93  | 77 | 69 |
|                  | 38 | 66           | 71 | 85  | 108 | 140 | 108 | 85  | 71 | 66 |

|                  |    | Width 400 mm |     |     |     |     |     |     |     |     |
|------------------|----|--------------|-----|-----|-----|-----|-----|-----|-----|-----|
| 20°              |    | 30           | 50  | 50  | 50  | 40  | 50  | 50  | 50  | 30  |
| Height<br>190 mm | 38 | 153          | 182 | 232 | 292 | 360 | 292 | 232 | 182 | 153 |
|                  | 38 | 189          | 229 | 295 | 380 | 478 | 380 | 295 | 229 | 189 |
|                  | 38 | 237          | 304 | 388 | 508 | 658 | 508 | 388 | 304 | 237 |
|                  | 38 | 253          | 343 | 457 | 632 | 790 | 632 | 457 | 343 | 253 |
|                  | 38 | 224          | 275 | 379 | 500 | 666 | 500 | 379 | 275 | 224 |

|                  |    | Width 400 mm |    |     |     |     |     |     |    |    |
|------------------|----|--------------|----|-----|-----|-----|-----|-----|----|----|
| 20°              |    | 30           | 50 | 50  | 50  | 40  | 50  | 50  | 50 | 30 |
| Height<br>190 mm | 38 | 83           | 94 | 117 | 147 | 182 | 147 | 117 | 94 | 83 |
|                  | 38 | 86           | 98 | 123 | 154 | 192 | 154 | 123 | 98 | 86 |
|                  | 38 | 80           | 91 | 111 | 140 | 178 | 140 | 111 | 91 | 80 |
|                  | 38 | 75           | 84 | 102 | 128 | 163 | 128 | 102 | 84 | 75 |
|                  | 38 | 72           | 78 | 93  | 119 | 154 | 119 | 93  | 78 | 72 |

|                  |    | Width 400 mm |     |     |     |     |     |     |     |     |
|------------------|----|--------------|-----|-----|-----|-----|-----|-----|-----|-----|
| 25°              |    | 30           | 50  | 50  | 50  | 40  | 50  | 50  | 50  | 30  |
| Height<br>190 mm | 38 | 150          | 184 | 234 | 294 | 367 | 294 | 234 | 184 | 150 |
|                  | 38 | 188          | 234 | 305 | 393 | 496 | 393 | 305 | 234 | 188 |
|                  | 38 | 234          | 314 | 408 | 546 | 706 | 546 | 408 | 314 | 234 |
|                  | 38 | 250          | 354 | 470 | 631 | 800 | 631 | 470 | 354 | 250 |
|                  | 38 | 227          | 280 | 393 | 518 | 689 | 518 | 393 | 280 | 227 |

|                  |    | Width 400 mm |     |     |     |     |     |     |     |    |
|------------------|----|--------------|-----|-----|-----|-----|-----|-----|-----|----|
| 25°              |    | 30           | 50  | 50  | 50  | 40  | 50  | 50  | 50  | 30 |
| Height<br>190 mm | 38 | 90           | 103 | 129 | 161 | 198 | 161 | 129 | 103 | 90 |
|                  | 38 | 93           | 108 | 134 | 170 | 210 | 170 | 134 | 108 | 93 |
|                  | 38 | 88           | 100 | 122 | 154 | 195 | 154 | 122 | 100 | 88 |
|                  | 38 | 82           | 92  | 111 | 139 | 177 | 139 | 111 | 92  | 82 |
|                  | 38 | 78           | 85  | 101 | 129 | 167 | 129 | 101 | 85  | 78 |

# AERIAL CAM UNIT FCC-LV 2016.26.034./040.

## FORCE DIAGRAM

Support via cast shoulder

|                  |    | Width 400 mm |     |     |     |     |     |     |     |     |
|------------------|----|--------------|-----|-----|-----|-----|-----|-----|-----|-----|
| 30°              |    | 30           | 50  | 50  | 50  | 40  | 50  | 50  | 50  | 30  |
| Height<br>190 mm | 38 | 141          | 177 | 227 | 284 | 359 | 284 | 227 | 177 | 141 |
|                  | 38 | 178          | 229 | 301 | 391 | 494 | 391 | 301 | 229 | 178 |
|                  | 38 | 220          | 311 | 411 | 564 | 727 | 564 | 411 | 311 | 220 |
|                  | 38 | 236          | 350 | 463 | 603 | 777 | 603 | 463 | 350 | 236 |
|                  | 38 | 222          | 274 | 391 | 515 | 684 | 515 | 391 | 274 | 222 |

Support via feather key

|                  |    | Width 400 mm |     |     |     |     |     |     |     |     |
|------------------|----|--------------|-----|-----|-----|-----|-----|-----|-----|-----|
| 30°              |    | 30           | 50  | 50  | 50  | 40  | 50  | 50  | 50  | 30  |
| Height<br>190 mm | 38 | 98           | 113 | 140 | 175 | 214 | 175 | 140 | 113 | 98  |
|                  | 38 | 101          | 117 | 146 | 185 | 228 | 185 | 146 | 117 | 101 |
|                  | 38 | 95           | 108 | 132 | 168 | 212 | 168 | 132 | 108 | 95  |
|                  | 38 | 88           | 99  | 120 | 150 | 192 | 150 | 120 | 99  | 88  |
|                  | 38 | 84           | 91  | 109 | 139 | 180 | 139 | 109 | 91  | 84  |

|                  |    | Width 400 mm |     |     |     |     |     |     |     |     |
|------------------|----|--------------|-----|-----|-----|-----|-----|-----|-----|-----|
| 35°              |    | 30           | 50  | 50  | 50  | 40  | 50  | 50  | 50  | 30  |
| Height<br>190 mm | 38 | 135          | 169 | 216 | 271 | 341 | 271 | 216 | 169 | 135 |
|                  | 38 | 172          | 224 | 299 | 390 | 493 | 390 | 299 | 224 | 172 |
|                  | 38 | 214          | 308 | 416 | 576 | 739 | 576 | 416 | 308 | 214 |
|                  | 38 | 229          | 344 | 466 | 613 | 790 | 613 | 466 | 344 | 229 |
|                  | 38 | 213          | 270 | 390 | 512 | 678 | 512 | 390 | 270 | 213 |

|                  |    | Width 400 mm |     |     |     |     |     |     |     |     |
|------------------|----|--------------|-----|-----|-----|-----|-----|-----|-----|-----|
| 35°              |    | 30           | 50  | 50  | 50  | 40  | 50  | 50  | 50  | 30  |
| Height<br>190 mm | 38 | 107          | 121 | 150 | 185 | 224 | 185 | 150 | 121 | 107 |
|                  | 38 | 109          | 126 | 154 | 193 | 238 | 193 | 154 | 126 | 109 |
|                  | 38 | 102          | 116 | 140 | 177 | 223 | 177 | 140 | 116 | 102 |
|                  | 38 | 94           | 107 | 129 | 161 | 205 | 161 | 129 | 107 | 94  |
|                  | 38 | 91           | 98  | 117 | 149 | 194 | 149 | 117 | 98  | 91  |

|                  |    | Width 400 mm |     |     |     |     |     |     |     |     |
|------------------|----|--------------|-----|-----|-----|-----|-----|-----|-----|-----|
| 40°              |    | 30           | 50  | 50  | 50  | 40  | 50  | 50  | 50  | 30  |
| Height<br>190 mm | 38 | 127          | 158 | 200 | 253 | 317 | 253 | 200 | 158 | 127 |
|                  | 38 | 163          | 215 | 291 | 381 | 481 | 381 | 291 | 215 | 163 |
|                  | 38 | 203          | 298 | 412 | 577 | 744 | 577 | 412 | 298 | 203 |
|                  | 38 | 217          | 332 | 459 | 610 | 786 | 610 | 459 | 332 | 217 |
|                  | 38 | 200          | 260 | 381 | 498 | 659 | 498 | 381 | 260 | 200 |

|                  |    | Width 400 mm |     |     |     |     |     |     |     |     |
|------------------|----|--------------|-----|-----|-----|-----|-----|-----|-----|-----|
| 40°              |    | 30           | 50  | 50  | 50  | 40  | 50  | 50  | 50  | 30  |
| Height<br>190 mm | 38 | 116          | 130 | 160 | 194 | 235 | 194 | 160 | 130 | 116 |
|                  | 38 | 117          | 135 | 162 | 200 | 248 | 200 | 162 | 135 | 117 |
|                  | 38 | 109          | 124 | 149 | 187 | 234 | 187 | 149 | 124 | 109 |
|                  | 38 | 101          | 114 | 137 | 171 | 218 | 171 | 137 | 114 | 101 |
|                  | 38 | 97           | 104 | 125 | 159 | 208 | 159 | 125 | 104 | 97  |

|                  |    | Width 400 mm |     |     |     |     |     |     |     |     |
|------------------|----|--------------|-----|-----|-----|-----|-----|-----|-----|-----|
| 45°              |    | 30           | 50  | 50  | 50  | 40  | 50  | 50  | 50  | 30  |
| Height<br>190 mm | 38 | 118          | 146 | 185 | 236 | 294 | 236 | 185 | 146 | 118 |
|                  | 38 | 154          | 207 | 283 | 373 | 470 | 373 | 283 | 207 | 154 |
|                  | 38 | 193          | 289 | 408 | 577 | 744 | 577 | 408 | 289 | 193 |
|                  | 38 | 205          | 320 | 452 | 606 | 782 | 606 | 452 | 320 | 205 |
|                  | 38 | 187          | 251 | 372 | 484 | 641 | 484 | 372 | 251 | 187 |

|                  |    | Width 400 mm |     |     |     |     |     |     |     |     |
|------------------|----|--------------|-----|-----|-----|-----|-----|-----|-----|-----|
| 45°              |    | 30           | 50  | 50  | 50  | 40  | 50  | 50  | 50  | 30  |
| Height<br>190 mm | 38 | 118          | 139 | 170 | 204 | 245 | 204 | 170 | 139 | 118 |
|                  | 38 | 125          | 144 | 171 | 208 | 257 | 208 | 171 | 144 | 125 |
|                  | 38 | 116          | 132 | 157 | 196 | 245 | 196 | 157 | 132 | 116 |
|                  | 38 | 107          | 121 | 146 | 182 | 230 | 182 | 146 | 121 | 107 |
|                  | 38 | 104          | 110 | 133 | 170 | 222 | 170 | 133 | 110 | 104 |

|                  |    | Width 400 mm |     |     |     |     |     |     |     |     |
|------------------|----|--------------|-----|-----|-----|-----|-----|-----|-----|-----|
| 50°              |    | 30           | 50  | 50  | 50  | 40  | 50  | 50  | 50  | 30  |
| Height<br>190 mm | 38 | 114          | 138 | 176 | 223 | 278 | 223 | 176 | 138 | 114 |
|                  | 38 | 146          | 200 | 279 | 373 | 471 | 373 | 279 | 200 | 146 |
|                  | 38 | 183          | 279 | 408 | 563 | 721 | 563 | 408 | 279 | 183 |
|                  | 38 | 195          | 304 | 473 | 619 | 791 | 619 | 473 | 304 | 195 |
|                  | 38 | 179          | 240 | 355 | 467 | 635 | 467 | 355 | 240 | 179 |

|                  |    | Width 400 mm |     |     |     |     |     |     |     |     |
|------------------|----|--------------|-----|-----|-----|-----|-----|-----|-----|-----|
| 50°              |    | 30           | 50  | 50  | 50  | 40  | 50  | 50  | 50  | 30  |
| Height<br>190 mm | 38 | 114          | 138 | 176 | 223 | 278 | 223 | 176 | 138 | 114 |
|                  | 38 | 140          | 177 | 220 | 263 | 314 | 263 | 220 | 177 | 140 |
|                  | 38 | 134          | 172 | 218 | 264 | 317 | 264 | 218 | 172 | 134 |
|                  | 38 | 128          | 168 | 225 | 272 | 327 | 272 | 225 | 168 | 128 |
|                  | 38 | 136          | 158 | 203 | 248 | 303 | 248 | 203 | 158 | 136 |

|                  |    | Width 400 mm |     |     |     |     |     |     |     |     |
|------------------|----|--------------|-----|-----|-----|-----|-----|-----|-----|-----|
| 55°              |    | 30           | 50  | 50  | 50  | 40  | 50  | 50  | 50  | 30  |
| Height<br>190 mm | 38 | 110          | 130 | 166 | 211 | 262 | 211 | 166 | 130 | 110 |
|                  | 38 | 138          | 193 | 274 | 374 | 471 | 374 | 274 | 193 | 138 |
|                  | 38 | 173          | 270 | 408 | 550 | 699 | 550 | 408 | 270 | 173 |
|                  | 38 | 185          | 287 | 492 | 630 | 800 | 630 | 492 | 287 | 185 |
|                  | 38 | 170          | 230 | 339 | 451 | 629 | 451 | 339 | 230 | 170 |

|                  |    | Width 400 mm |     |     |     |     |     |     |     |     |
|------------------|----|--------------|-----|-----|-----|-----|-----|-----|-----|-----|
| 55°              |    | 30           | 50  | 50  | 50  | 40  | 50  | 50  | 50  | 30  |
| Height<br>190 mm | 38 | 110          | 130 | 166 | 211 | 262 | 211 | 166 | 130 | 110 |
|                  | 38 | 138          | 193 | 269 | 318 | 371 | 318 | 269 | 193 | 138 |
|                  | 38 | 153          | 212 | 278 | 332 | 388 | 332 | 278 | 212 | 153 |
|                  | 38 | 148          | 215 | 304 | 362 | 423 | 362 | 304 | 215 | 148 |
|                  | 38 | 167          | 207 | 273 | 326 | 384 | 326 | 273 | 207 | 167 |

# AERIAL CAM UNIT FCC-LV 2016.26.034./040.

## FORCE DIAGRAM



Support via cast shoulder

|                  |    | Width 400 mm |     |     |     |     |     |     |     |     |
|------------------|----|--------------|-----|-----|-----|-----|-----|-----|-----|-----|
| 60°              |    | 30           | 50  | 50  | 50  | 40  | 50  | 50  | 50  | 30  |
| Height<br>190 mm | 38 | 108          | 125 | 161 | 204 | 253 | 204 | 161 | 125 | 108 |
|                  | 38 | 134          | 191 | 275 | 382 | 482 | 382 | 275 | 191 | 134 |
|                  | 38 | 167          | 267 | 417 | 549 | 693 | 549 | 417 | 267 | 167 |
|                  | 38 | 179          | 278 | 522 | 654 | 825 | 654 | 522 | 278 | 179 |
|                  | 38 | 166          | 224 | 331 | 444 | 637 | 444 | 331 | 224 | 166 |

Support via feather key

|                  |    | Width 400 mm |     |     |     |     |     |     |     |     |
|------------------|----|--------------|-----|-----|-----|-----|-----|-----|-----|-----|
| 60°              |    | 30           | 50  | 50  | 50  | 40  | 50  | 50  | 50  | 30  |
| Height<br>190 mm | 38 | 108          | 125 | 161 | 204 | 253 | 204 | 161 | 125 | 108 |
|                  | 38 | 134          | 191 | 275 | 373 | 428 | 373 | 275 | 191 | 134 |
|                  | 38 | 167          | 252 | 338 | 400 | 459 | 400 | 338 | 252 | 167 |
|                  | 38 | 169          | 262 | 384 | 452 | 520 | 452 | 384 | 262 | 169 |
|                  | 38 | 166          | 224 | 331 | 404 | 465 | 404 | 331 | 224 | 166 |

|                  |    | Width 400 mm |     |     |     |     |     |     |     |     |
|------------------|----|--------------|-----|-----|-----|-----|-----|-----|-----|-----|
| 65°              |    | 30           | 50  | 50  | 50  | 40  | 50  | 50  | 50  | 30  |
| Height<br>190 mm | 38 | 108          | 124 | 161 | 204 | 252 | 204 | 161 | 124 | 108 |
|                  | 38 | 133          | 191 | 276 | 382 | 483 | 382 | 276 | 191 | 133 |
|                  | 38 | 166          | 267 | 421 | 554 | 701 | 554 | 421 | 267 | 166 |
|                  | 38 | 176          | 276 | 507 | 632 | 800 | 632 | 507 | 276 | 176 |
|                  | 38 | 164          | 223 | 324 | 440 | 623 | 440 | 324 | 223 | 164 |

|                  |    | Width 400 mm |     |     |     |     |     |     |     |     |
|------------------|----|--------------|-----|-----|-----|-----|-----|-----|-----|-----|
| 65°              |    | 30           | 50  | 50  | 50  | 40  | 50  | 50  | 50  | 30  |
| Height<br>190 mm | 38 | 108          | 124 | 161 | 204 | 252 | 204 | 161 | 124 | 108 |
|                  | 38 | 133          | 191 | 276 | 382 | 483 | 382 | 276 | 191 | 133 |
|                  | 38 | 166          | 267 | 421 | 554 | 700 | 554 | 421 | 267 | 166 |
|                  | 38 | 176          | 276 | 507 | 632 | 700 | 632 | 507 | 276 | 176 |
|                  | 38 | 164          | 223 | 324 | 440 | 623 | 440 | 324 | 223 | 164 |

|                  |    | Width 400 mm |     |     |     |     |     |     |     |     |
|------------------|----|--------------|-----|-----|-----|-----|-----|-----|-----|-----|
| 70°              |    | 30           | 50  | 50  | 50  | 40  | 50  | 50  | 50  | 30  |
| Height<br>190 mm | 38 | 111          | 126 | 164 | 208 | 257 | 208 | 164 | 126 | 111 |
|                  | 38 | 136          | 195 | 283 | 390 | 495 | 390 | 283 | 195 | 136 |
|                  | 38 | 168          | 273 | 436 | 570 | 724 | 570 | 436 | 273 | 168 |
|                  | 38 | 178          | 280 | 502 | 624 | 792 | 624 | 502 | 280 | 178 |
|                  | 38 | 166          | 226 | 324 | 446 | 623 | 446 | 324 | 226 | 166 |

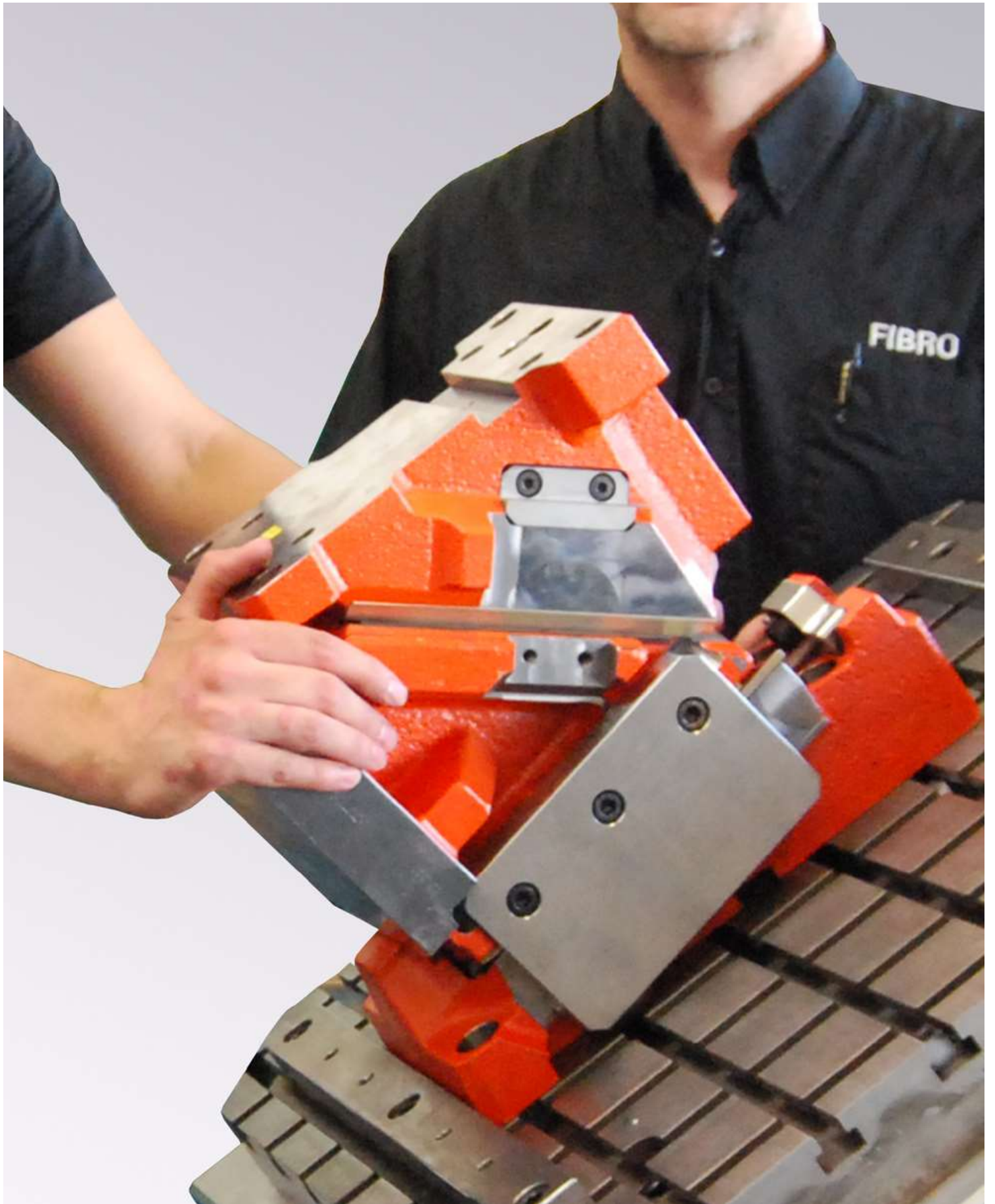
|                  |    | Width 400 mm |     |     |     |     |     |     |     |     |
|------------------|----|--------------|-----|-----|-----|-----|-----|-----|-----|-----|
| 70°              |    | 30           | 50  | 50  | 50  | 40  | 50  | 50  | 50  | 30  |
| Height<br>190 mm | 38 | 111          | 126 | 164 | 208 | 257 | 208 | 164 | 126 | 111 |
|                  | 38 | 136          | 195 | 283 | 390 | 495 | 390 | 283 | 195 | 136 |
|                  | 38 | 168          | 273 | 436 | 570 | 700 | 570 | 436 | 273 | 168 |
|                  | 38 | 178          | 280 | 502 | 624 | 700 | 624 | 502 | 280 | 178 |
|                  | 38 | 166          | 226 | 324 | 446 | 623 | 446 | 324 | 226 | 166 |

|                  |    | Width 400 mm |     |     |     |     |     |     |     |     |
|------------------|----|--------------|-----|-----|-----|-----|-----|-----|-----|-----|
| 75°              |    | 30           | 50  | 50  | 50  | 40  | 50  | 50  | 50  | 30  |
| Height<br>190 mm | 38 | 113          | 128 | 168 | 212 | 261 | 212 | 168 | 128 | 113 |
|                  | 38 | 138          | 199 | 290 | 398 | 508 | 398 | 290 | 199 | 138 |
|                  | 38 | 170          | 280 | 450 | 587 | 749 | 587 | 450 | 280 | 170 |
|                  | 38 | 179          | 283 | 496 | 615 | 784 | 615 | 496 | 283 | 179 |
|                  | 38 | 168          | 229 | 324 | 452 | 622 | 452 | 324 | 229 | 168 |

|                  |    | Width 400 mm |     |     |     |     |     |     |     |     |
|------------------|----|--------------|-----|-----|-----|-----|-----|-----|-----|-----|
| 75°              |    | 30           | 50  | 50  | 50  | 40  | 50  | 50  | 50  | 30  |
| Height<br>190 mm | 38 | 113          | 128 | 168 | 212 | 261 | 212 | 168 | 128 | 113 |
|                  | 38 | 138          | 199 | 290 | 398 | 508 | 398 | 290 | 199 | 138 |
|                  | 38 | 170          | 280 | 450 | 587 | 700 | 587 | 450 | 280 | 170 |
|                  | 38 | 179          | 283 | 496 | 615 | 700 | 615 | 496 | 283 | 179 |
|                  | 38 | 168          | 229 | 324 | 452 | 622 | 452 | 324 | 229 | 168 |



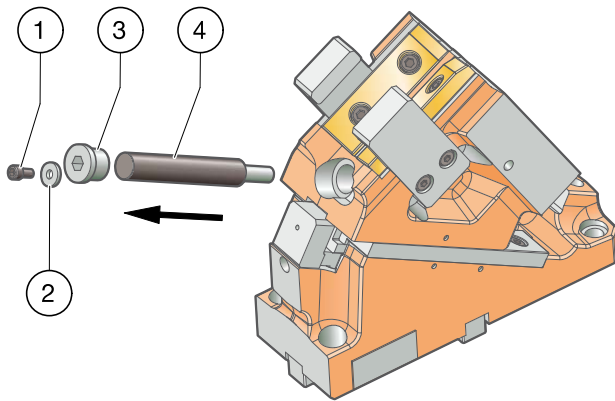
# ASSEMBLY INSTRUCTIONS





# AERIAL CAM UNIT FCC-LV 2016.26.

## ASSEMBLY INSTRUCTIONS

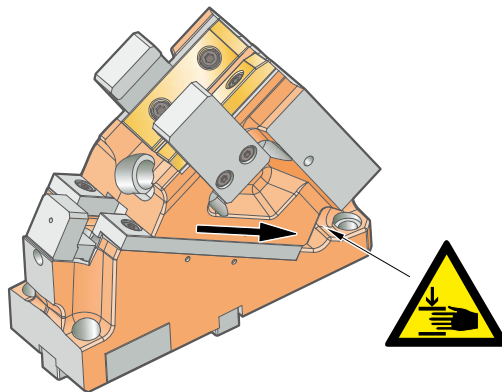


### STEP 1

- Remove screw **(1)** and lock washer **(2)**.
- Unfasten locking screw **(3)** and remove gas spring **(4)** from the mount.

#### Caution

The gas spring may only be removed if the spring itself is released. After removing the locking screw for the gas spring, note that there is a risk of crushing between the cam slide unit body and the cam slide unit bed due to independent movement of the cam slide unit body.

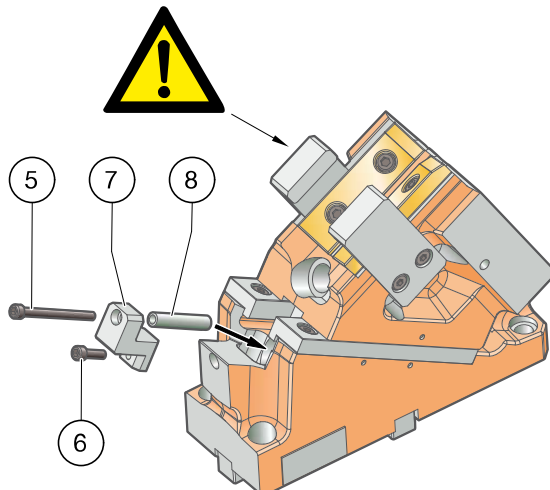


### STEP 2

- Slide the cam unit driver into the front position

#### Caution

Risk of crushing between the cam unit driver and the cam unit base by movement of the cam unit driver.



### STEP 3

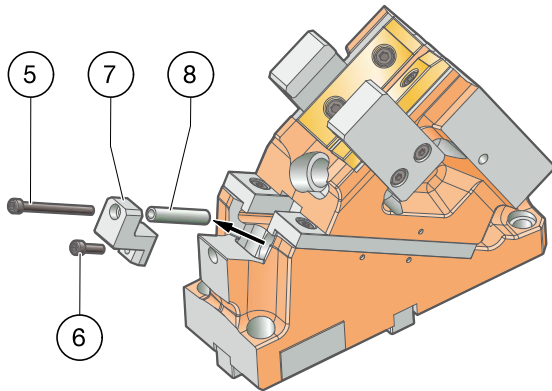
- Unfasten screw **(6)** and remove the cam stop
- Insert lockout system **(7)** and fix with the screw **(6)**.
- Insert lockout sleeve **(8)** and fix cam slider with the screw **(5)**.

#### Caution

In the classic tool setup process (pressing the cam driver in the die), the positive return left and right must additionally be removed in order to avoid damaging the cam unit, cam driver and die.

# AERIAL CAM UNIT FCC-LV 2016.26.

## ASSEMBLY INSTRUCTIONS

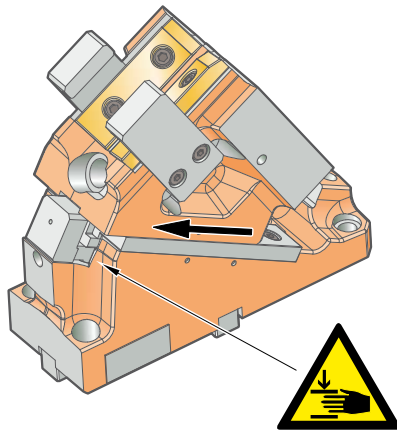


### STEP 4

---

Restore the cam unit function after completion of the work (setup, work surface machining).

- Remove screw **(5)**
- Remove lockout sleeve **(8)**
- Remove the screw **(6)** and disassemble the Lock-Out System **(7)**
- Insert the cam slide stop and fix with the screw **(6)**



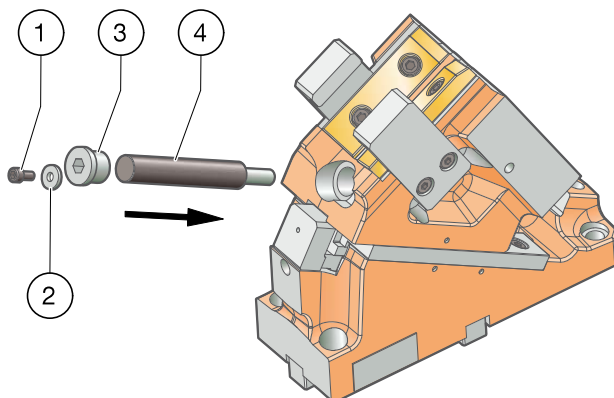
### STEP 5

---

- Slide the cam unit Driver backwards

#### Caution

Risk of crushing between the cam slider and the cam stop due to movement of the cam slider.



### STEP 6

---

- Insert gas spring **(4)** and secure by using the locking screw **(3)**.
- Secure the locking screw with lock washer **(2)** and screw **(1)**.

Screws must be secured against loosening by means of adhesive or suitable lock washers.

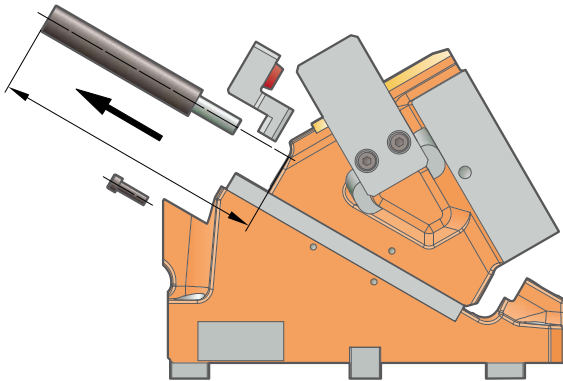
# AERIAL CAM UNIT FCC-LV 2016.26.

## ASSEMBLY IN THE TOOL

Series 2016.26. cam slide units are designed in a way, that the screws and pins for positioning and securing the cam slide unit components in the tool, are accessible in the open position of the cam unit (after removing the cam stop, where applicable).

This access can be restricted or completely prevented by constructions on the cam slide unit working surface.

In such cases, it is possible to disassemble / assemble the populated cam slide unit:



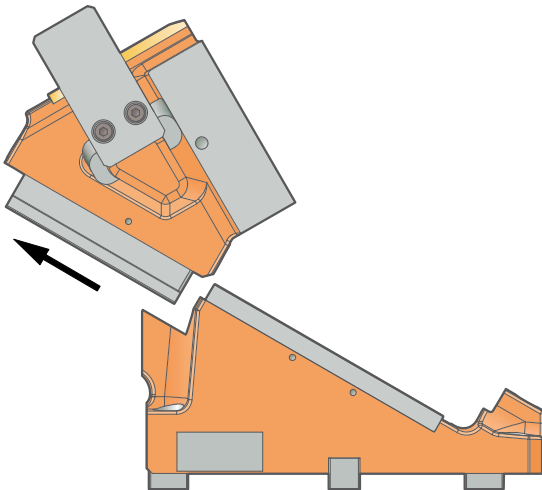
### STEP 1

---

- Remove the gas spring and the cam stop before disassembling the cam slide unit.

### Caution

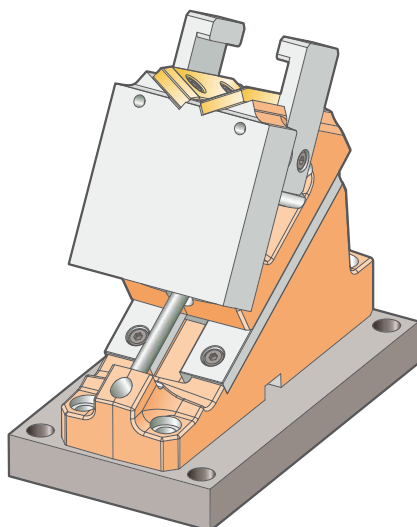
The gas spring may only be removed if the spring itself is released. After removing the locking tappet for the gas spring, note that there is a risk of crushing between the cam slider and the cam unit base due to independent movement of the cam slider.



### STEP 2

---

- Remove the populated cam slide unit towards the back. The cam unit base can remain in the upper die.



In the event of installation space problems in the tool, an additional mounting board can be used as an alternative. The cam unit is positioned and fixed on this mounting plate, the options for positioning and fastening to the tool are located outside the compact cam slide unit structure, and are therefore easily accessible from above for the necessary fitting aids.

Mounting plates are to be provided by the tool shop if necessary, as they are not included as standard with FIBRO cam units.