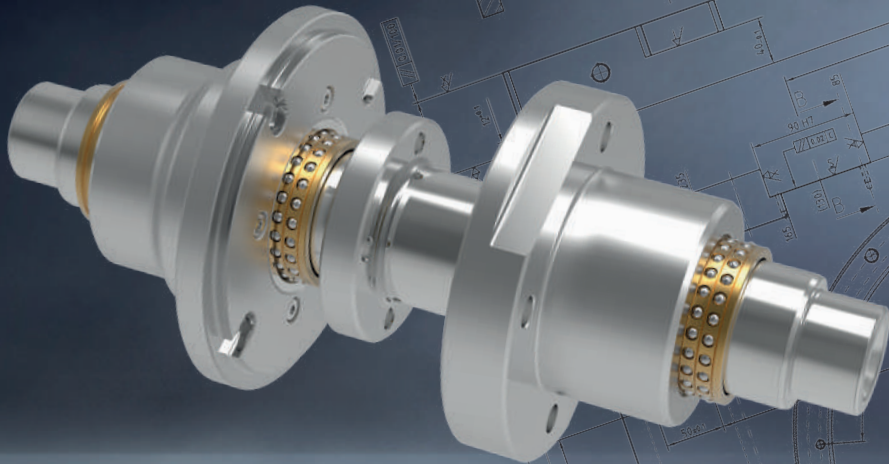


WE LOVE TECHNOLOGY



WHEN STANDARD IS NOT
GOOD ENOUGH
**INDIVIDUAL SOLUTIONS BY
FIBRO STANDARD PARTS**



OUR CUSTOMERS DEMAND REPEAT PRECISION ACCURACY, PROCESS RELIABILITY AND TOP QUALITY WITH LONG SERVICE LIVES AT THE SAME TIME. WE MEET THESE REQUIREMENTS EVEN WITH THE STANDARD PORTFOLIO.

However, especially in industries with very demanding environmental conditions, such as the food, medical, chemical, packaging or pharmaceutical industry, the demands on tools and components are extremely high.

With our many years of experience in different industries, we have the know-how to manufacture specialty items for your specific requirement.

Innovation often requires more than the standard.

WE LOVE TECHNOLOGY



COMPETENT CONSULTING AND SUPPORT FROM THE INITIAL IDEA TO THE FINISHED PRODUCT.

Based on technical drawings, data and specifications, we support you with the application-specific construction of your individual solution and manufacture to the highest production standards to meet your requirements.



Concept and design support



Product development from initial sample to final product



Continuous communication with our experts



Series manufacturing at the highest level with customer-specific labeling and packaging



Technical documentation and quality assurance



Reliable customer service and delivery, including "just-in-time"

YOUR ADDED VALUES

INCREASED PRODUCTIVITY

Development of customer-specific solutions to meet your individual requirements.

OPTIMIZED USE OF RESOURCES

Competent consulting by our experts from the initial idea to the finished product saves time and money.

TOP QUALITY

Precision special processing and many years of experience result in top repeat precision accuracy.