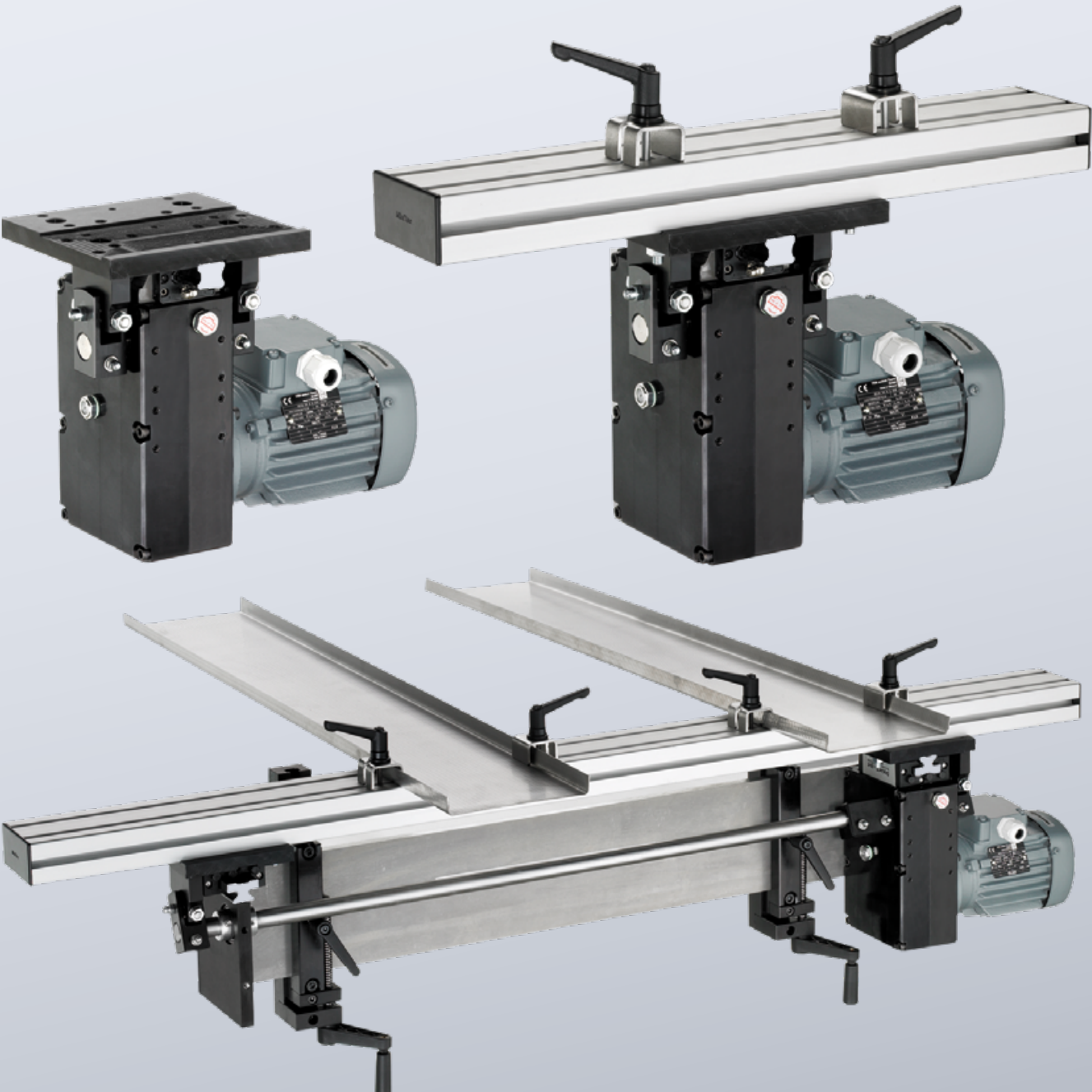


# ELECTRO-MECHANICAL TRANSPORTER



# ELECTRO-MECHANICAL TRANSPORTERS - GENERAL INFORMATION

The FIBRO electro-mechanical transporters have been developed to effectively and inexpensively solve the problems of transporting parts and the removal of stamping and cutting residues from presses. The principle behind the electro-mechanical transporter is referred to as the "tablecloth effect". The slow acceleration during the forward stroke pushes the parts or offcuts forwards. The fast return stroke of the guiding system results in a transport movement in only one direction. Due to its compact design, the FIBRO electro-mechanical transporter is also suitable for applications where only limited space is available. The simple, sturdy and flexible design provides a safe, reliable, efficient and a cost efficient solution.

Basic advantages:

- compact design
- low maintenance
- low noise level (< 70 dB)

## Executions:

- 2299.001 vertical gear position
- 2299.002 horizontal gear position
- 2299.011 vertical gear position, with profile and support
- 2299.012 horizontal gear position, with profile and support
- 2299.121 vertical gear position, with two slides, profile and support
- 2299.122 horizontal gear position, with two slides, profile and support
- 2299.221 vertical centre gear position, two slides, with profile and support
- 2299.222 horizontal centre gear position, two slides, with profile and support

Supplied components:

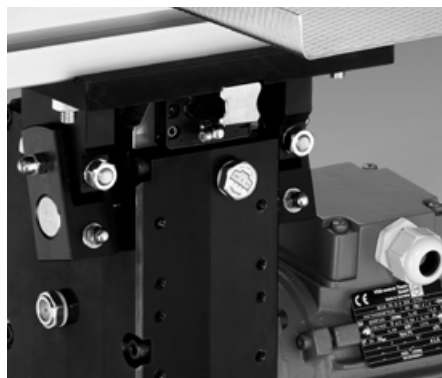
The transporters are supplied without connection cable.

Design data (CAD):

2D + 3D CAD data for various CAD systems as well as system-neutral interfaces are available on the internet at: <http://fibro.partcommunity.com>

## Technical data:

|  |   |
|--|---|
|  | Alternating current (3 phases) 1375 min <sup>-1</sup> |
|  | 0.09 kW rated capacity                                |
| Drive:   | 0.51 A nominal current at 400 V                       |
|  | Weight 4.4 kg   |
|  | Protection class IP55 (DIN EN 60529)                  |
| Delivery stroke:                                     | 20 mm   |
| Conveying speed:                                     | approx. 4.5 m/min                                     |
| Stroke frequency:                                    | 4 strokes/second                                      |
| max. guiding system weight (incl. profile):          | 35 kg   |
| max. bulk weight                                     | 100 kg  |
| (guiding system weight, profile, transport items):   |   |
| Temperature range (permissible ambient temperature): | -20 to +60 °C   |

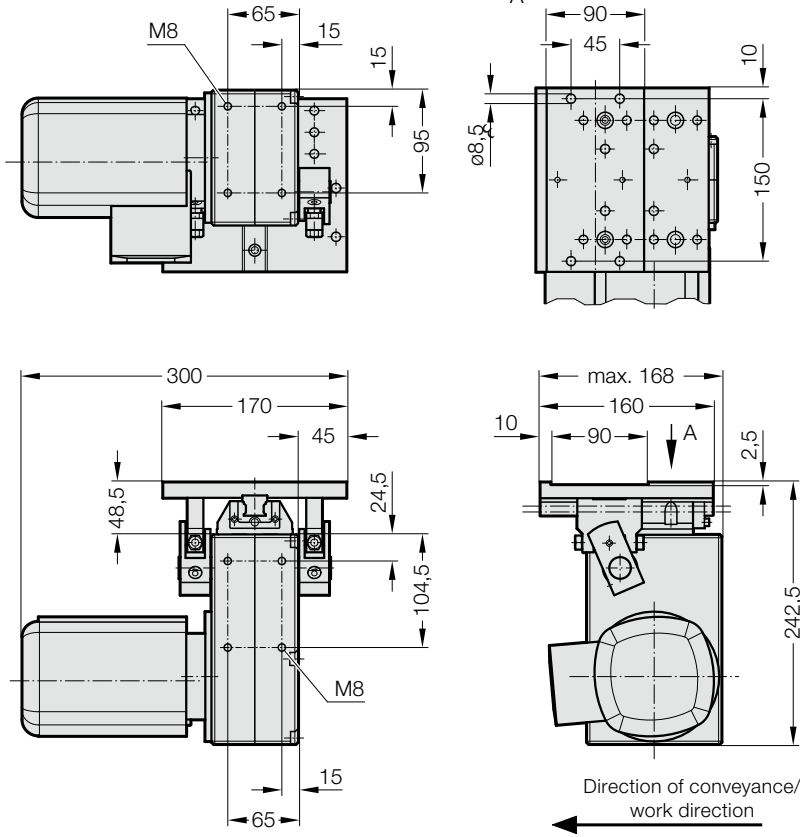


# ELECTRO-MECHANICAL TRANSPORTER

## VERTICAL GEAR POSITION

### HORIZONTAL GEAR POSITION

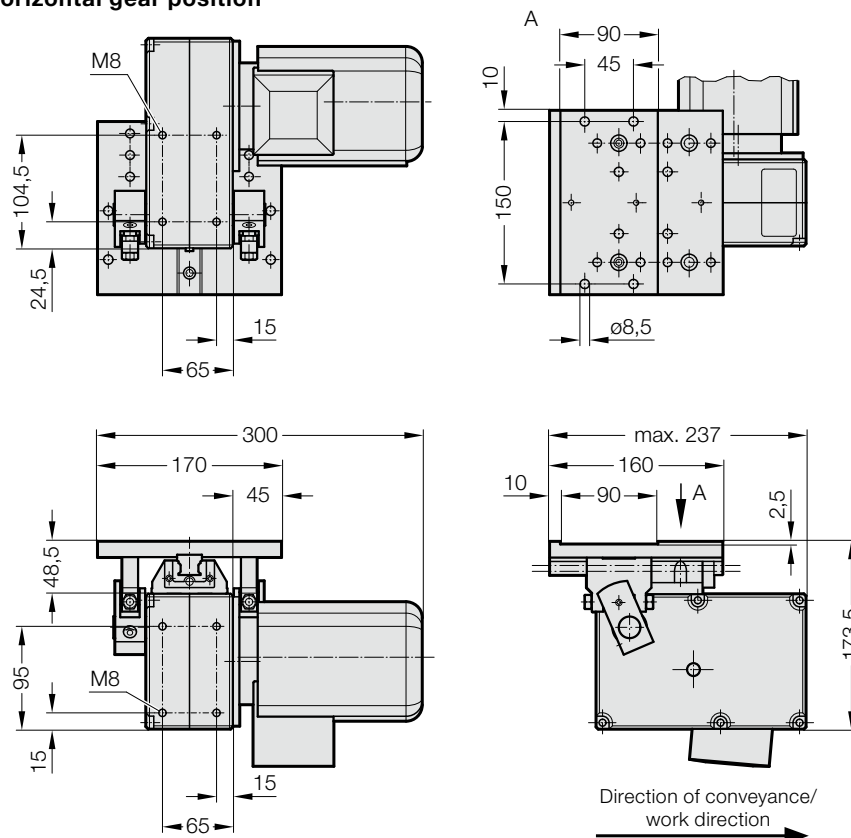
**2299.001**  
vertical gear position



**Note:**

The transporter can be attached at two levels.

**2299.002**  
horizontal gear position



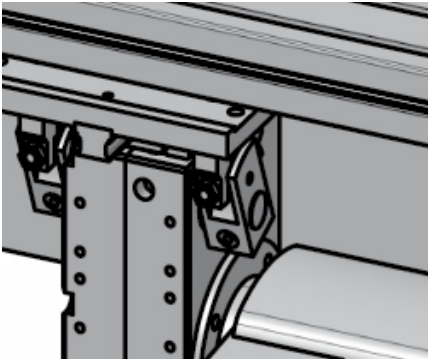
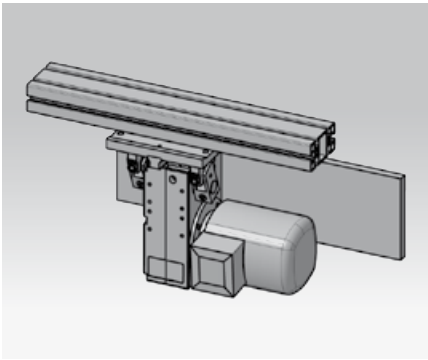
**Note:**

The transporter can be attached at two levels.

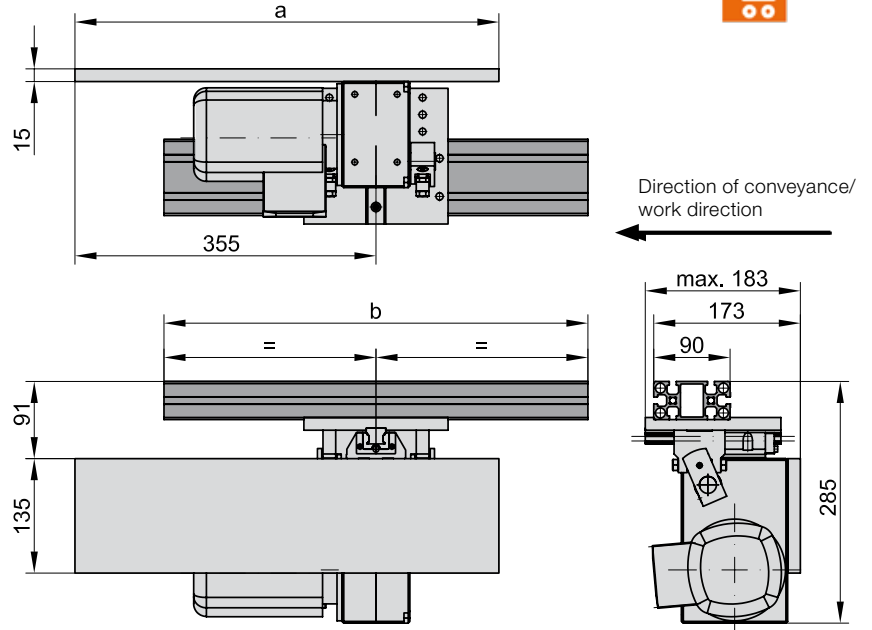
# ELECTRO-MECHANICAL TRANSPORTER

## VERTICAL GEAR POSITION, WITH PROFILE AND SUPPORT

## HORIZONTAL GEAR POSITION, WITH PROFILE AND SUPPORT



2299.011.

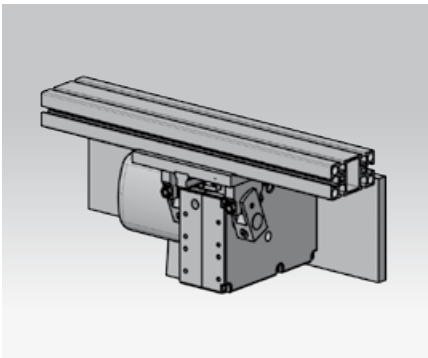


### Ordering Code (example):

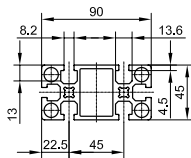
|             |                       |
|-------------|-----------------------|
| Transporter | = 2299.               |
| Type 011    | = 011.                |
| b = 1100 mm | = 1100.               |
| a = 500 mm  | = 0500                |
| Order No.   | = 2299.011. 1100.0500 |

### 2299.011. vertical gear position, with profile and support

|   |     |     |     |     |     |      |      |      |
|---|-----|-----|-----|-----|-----|------|------|------|
| b | 500 | 600 | 700 | 800 | 900 | 1000 | 1100 | 1200 |
| a | 500 |     |     |     |     |      |      |      |

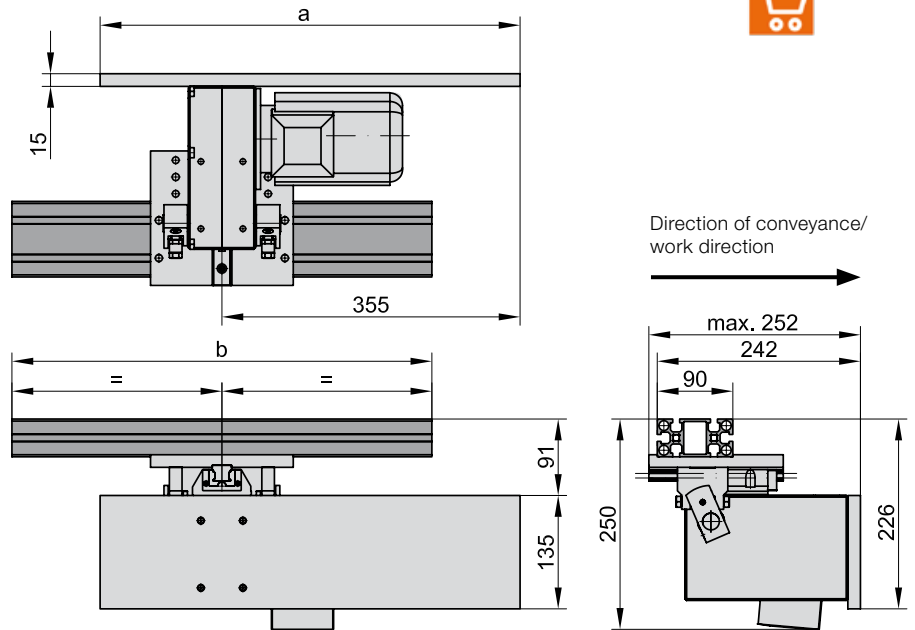


Profile cross-section



Suitable screw for T-slot  
2140.30.08.08.□□

2299.012.



### Ordering Code (example):

|             |                       |
|-------------|-----------------------|
| Transporter | = 2299.               |
| Type 012    | = 012.                |
| b = 1100 mm | = 1100.               |
| a = 500 mm  | = 0500                |
| Order No.   | = 2299.012. 1100.0500 |

### 2299.012. horizontal gear position, with profile and support

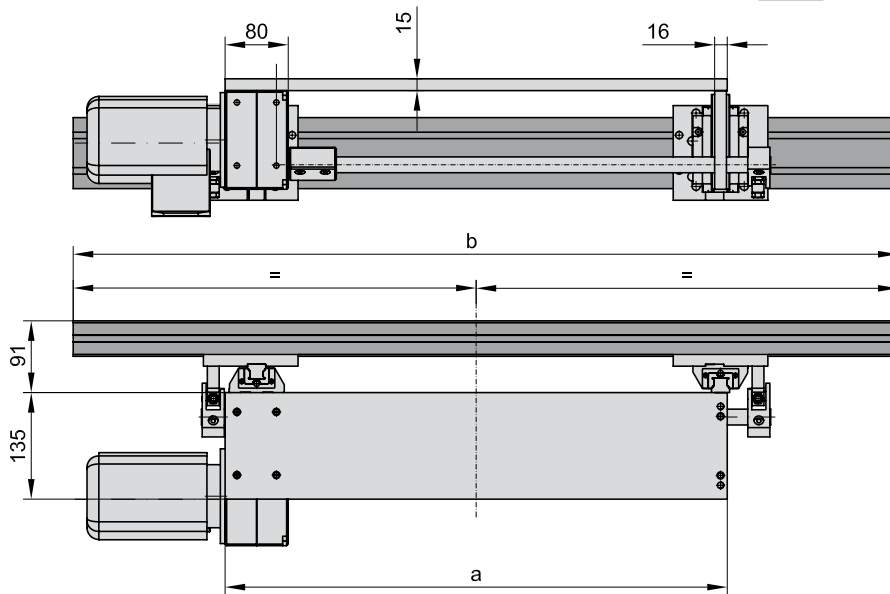
|   |     |     |     |     |     |      |      |      |
|---|-----|-----|-----|-----|-----|------|------|------|
| b | 500 | 600 | 700 | 800 | 900 | 1000 | 1100 | 1200 |
| a | 500 |     |     |     |     |      |      |      |

# ELECTRO-MECHANICAL TRANSPORTER

## VERTICAL GEAR POSITION, TWO SLIDES, WITH PROFILE AND SUPPORT

## HORIZONTAL GEAR POSITION, TWO SLIDES, WITH PROFILE AND SUPPORT

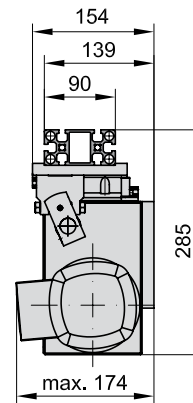
2299.121.



### Ordering Code (example):

|             |                      |
|-------------|----------------------|
| Transporter | = 2299.              |
| Type 121    | = 121.               |
| b = 1400 mm | = 1400.              |
| a = 900 mm  | = 0900               |
| Order No.   | = 2299.121.1400.0900 |

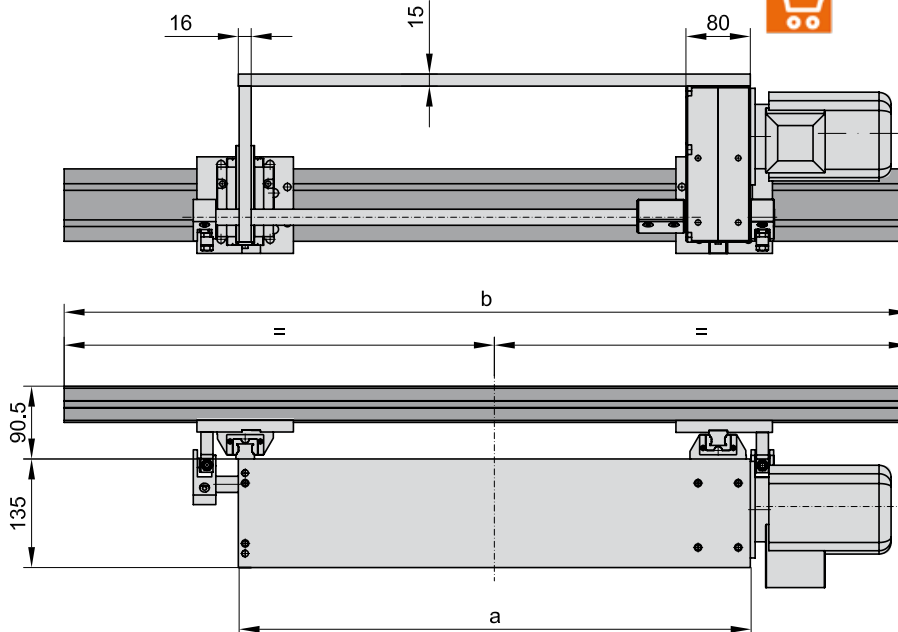
Direction of conveyance/  
work direction



### 2299.121. vertical gear position, two slides, with profile and support

|      |      |      |      |      |      |      |      |      |      |      |      |      |      |      |      |      |      |      |   |
|------|------|------|------|------|------|------|------|------|------|------|------|------|------|------|------|------|------|------|---|
| b    | 1300 | 1400 | 1500 | 1600 | 1700 | 1800 | 1900 | 2000 | 2100 | 2200 | 2300 | 2400 | 2500 | 2600 | 2700 | 2800 | 2900 | 3000 |   |
| a    | ●    |      |      |      |      |      |      |      |      |      |      |      |      |      |      |      |      |      |   |
| 900  | ●    | ●    | ●    | ●    | ●    | ●    | ●    | ●    | ●    | ●    | ●    | ●    | ●    | ●    | ●    | ●    | ●    | ●    | ● |
| 1200 | ●    | ●    | ●    | ●    | ●    | ●    | ●    | ●    | ●    | ●    | ●    | ●    | ●    | ●    | ●    | ●    | ●    | ●    | ● |
| 1500 | ●    | ●    | ●    | ●    | ●    | ●    | ●    | ●    | ●    | ●    | ●    | ●    | ●    | ●    | ●    | ●    | ●    | ●    | ● |

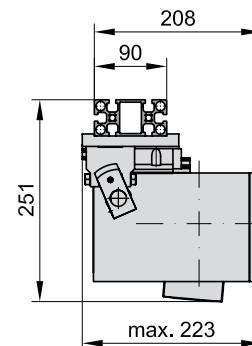
2299.122.



### Ordering Code (example):

|             |                      |
|-------------|----------------------|
| Transporter | = 2299.              |
| Type 122    | = 122.               |
| b = 2200 mm | = 2200.              |
| a = 1200 mm | = 1200               |
| Order No.   | = 2299.122.2200.1200 |

Direction of conveyance/  
work direction

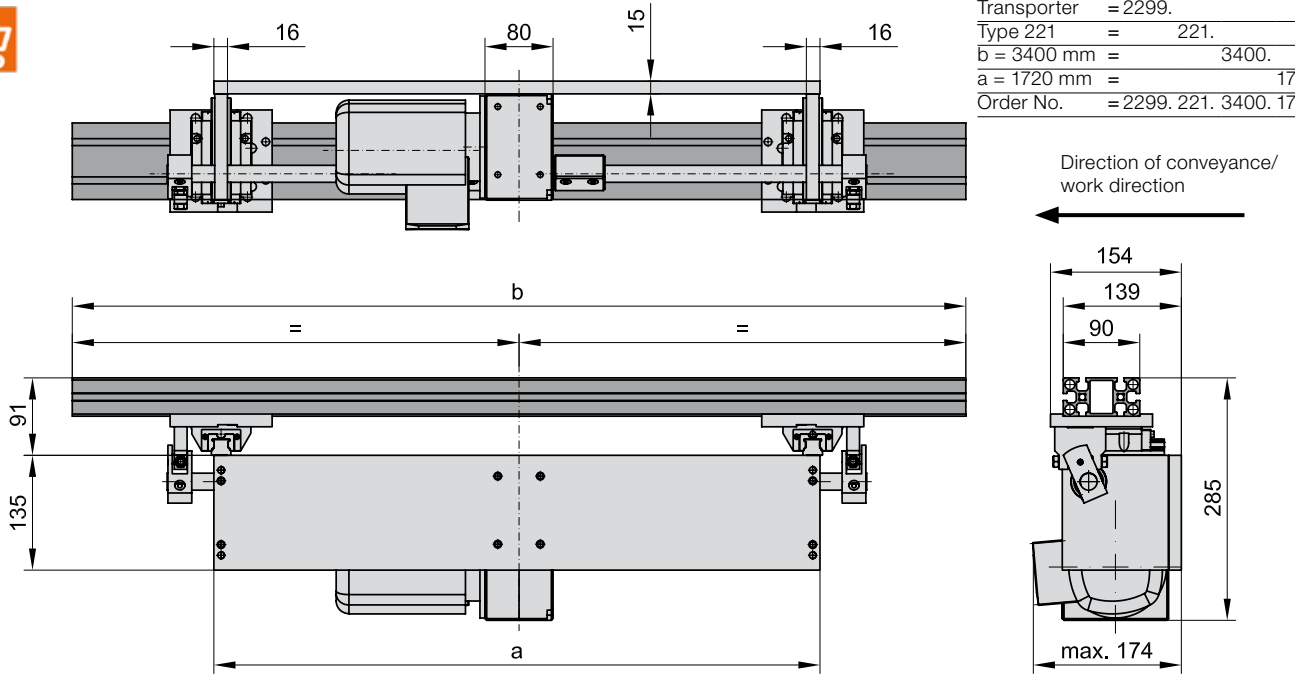


### 2299.122. horizontal gear position, two slides, with profile and support

|      |      |      |      |      |      |      |      |      |      |      |      |      |      |      |      |      |      |      |   |
|------|------|------|------|------|------|------|------|------|------|------|------|------|------|------|------|------|------|------|---|
| b    | 1300 | 1400 | 1500 | 1600 | 1700 | 1800 | 1900 | 2000 | 2100 | 2200 | 2300 | 2400 | 2500 | 2600 | 2700 | 2800 | 2900 | 3000 |   |
| a    | ●    |      |      |      |      |      |      |      |      |      |      |      |      |      |      |      |      |      |   |
| 900  | ●    | ●    | ●    | ●    | ●    | ●    | ●    | ●    | ●    | ●    | ●    | ●    | ●    | ●    | ●    | ●    | ●    | ●    | ● |
| 1200 | ●    | ●    | ●    | ●    | ●    | ●    | ●    | ●    | ●    | ●    | ●    | ●    | ●    | ●    | ●    | ●    | ●    | ●    | ● |
| 1500 | ●    | ●    | ●    | ●    | ●    | ●    | ●    | ●    | ●    | ●    | ●    | ●    | ●    | ●    | ●    | ●    | ●    | ●    | ● |

# ELECTRO-MECHANICAL TRANSPORTER VERTICAL CENTRE GEAR POSITION / HORIZONTAL CENTRE GEAR POSITION TWO SLIDES, WITH PROFILE AND SUPPORT

2299.221.



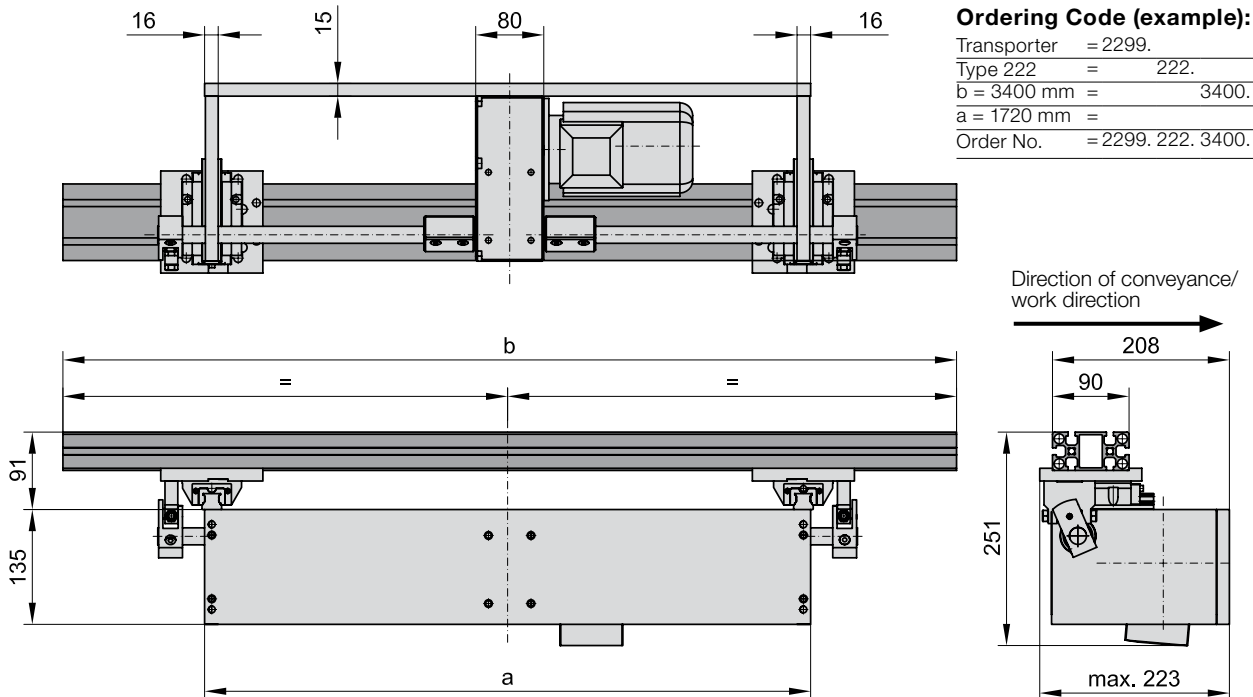
**Ordering Code (example):**

|             |                         |
|-------------|-------------------------|
| Transporter | = 2299.                 |
| Type 221    | = 221.                  |
| b = 3400 mm | = 3400.                 |
| a = 1720 mm | = 1720                  |
| Order No.   | = 2299. 221. 3400. 1720 |

**2299.221. vertical centre gear position, two slides, with profile and support**

|      |      |      |      |      |      |      |      |      |      |      |      |      |      |      |      |      |      |      |      |      |   |   |   |   |   |   |
|------|------|------|------|------|------|------|------|------|------|------|------|------|------|------|------|------|------|------|------|------|---|---|---|---|---|---|
| b    | 3100 | 3200 | 3300 | 3400 | 3500 | 3600 | 3700 | 3800 | 3900 | 4000 | 4100 | 4200 | 4300 | 4400 | 4500 | 4600 | 4700 | 4800 | 4900 | 5000 |   |   |   |   |   |   |
| a    |      |      |      |      |      |      |      |      |      |      |      |      |      |      |      |      |      |      |      |      |   |   |   |   |   |   |
| 1720 | ●    | ●    | ●    | ●    | ●    | ●    |      |      |      |      |      |      |      |      |      |      |      |      |      |      | ● | ● | ● | ● | ● | ● |
| 2320 |      |      |      |      |      |      |      |      |      |      |      |      |      |      |      |      |      |      |      |      |   |   |   |   |   |   |
| 2920 |      |      |      |      |      |      |      |      |      |      |      |      |      |      |      |      |      |      |      |      |   |   |   |   |   |   |

2299.222.



**Ordering Code (example):**

|             |                         |
|-------------|-------------------------|
| Transporter | = 2299.                 |
| Type 222    | = 222.                  |
| b = 3400 mm | = 3400.                 |
| a = 1720 mm | = 1720                  |
| Order No.   | = 2299. 222. 3400. 1720 |

**2299.222. horizontal centre gear position, two slides, with profile and support**

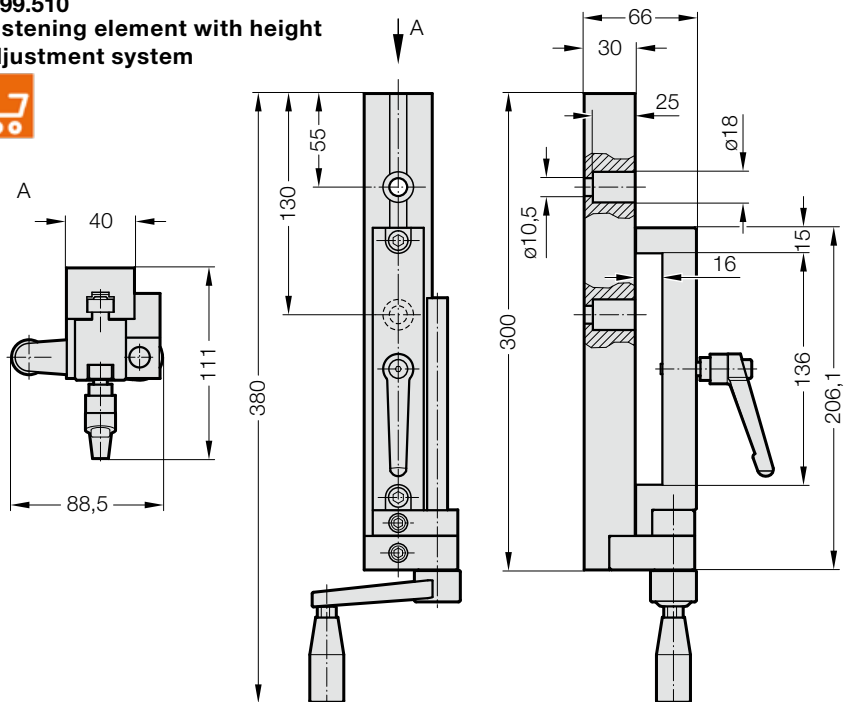
|      |      |      |      |      |      |      |      |      |      |      |      |      |      |      |      |      |      |      |      |      |   |   |   |   |   |
|------|------|------|------|------|------|------|------|------|------|------|------|------|------|------|------|------|------|------|------|------|---|---|---|---|---|
| b    | 3100 | 3200 | 3300 | 3400 | 3500 | 3600 | 3700 | 3800 | 3900 | 4000 | 4100 | 4200 | 4300 | 4400 | 4500 | 4600 | 4700 | 4800 | 4900 | 5000 |   |   |   |   |   |
| a    |      |      |      |      |      |      |      |      |      |      |      |      |      |      |      |      |      |      |      |      |   |   |   |   |   |
| 1720 | ●    | ●    | ●    | ●    | ●    | ●    |      |      |      |      |      |      |      |      |      |      |      |      |      |      | ● | ● | ● | ● | ● |
| 2320 |      |      |      |      |      |      |      |      |      |      |      |      |      |      |      |      |      |      |      |      |   |   |   |   |   |
| 2920 |      |      |      |      |      |      |      |      |      |      |      |      |      |      |      |      |      |      |      |      |   |   |   |   |   |

# ELECTRO-MECHANICAL TRANSPORTER

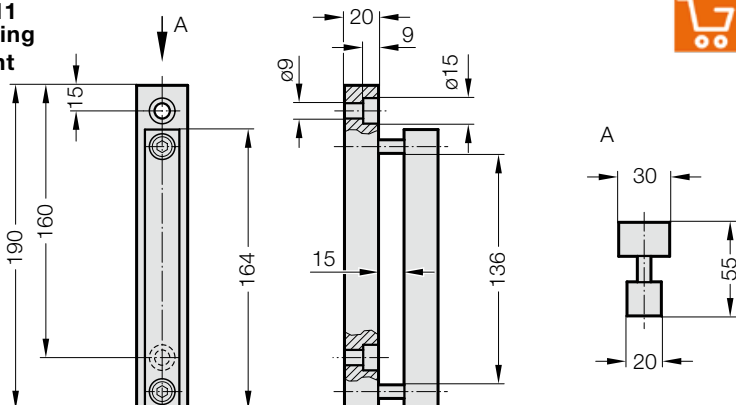
## FASTENING ELEMENT WITH HEIGHT ADJUSTMENT SYSTEM

### FASTENING ELEMENT

**2299.510**  
Fastening element with height adjustment system



**2299.511**  
Fastening element



**Note:**

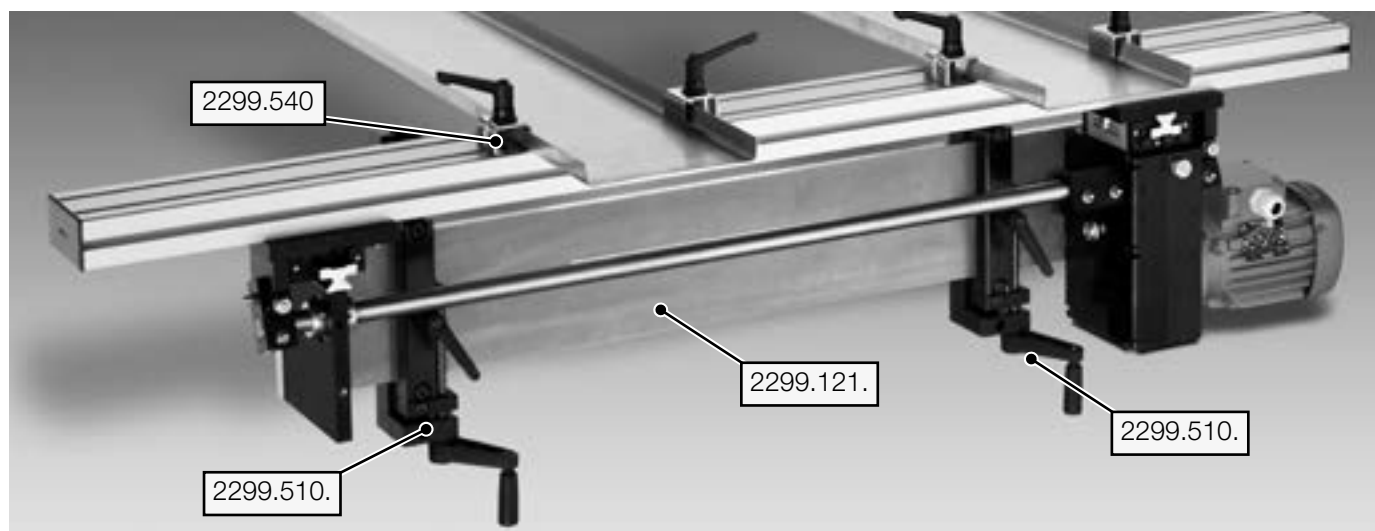
Mounting part for the transporter 2299.011./012./121./122./221./222. with or without height equalization.

Adjustment range: 100 mm

2299.510 2x M10

2299.511 2x M8

Fixing screws not included.

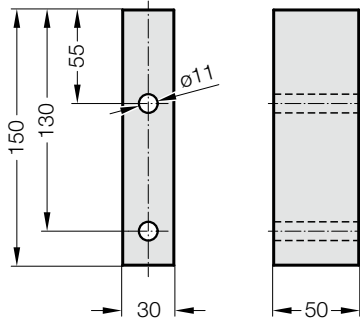


# ELECTRO-MECHANICAL TRANSPORTER

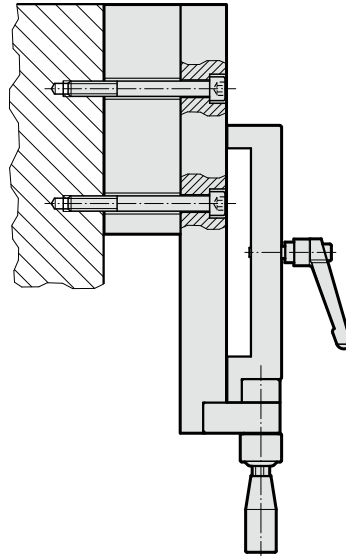
## DISTANCE

### GUIDE CHANNEL CLAMP

2299.520  
Distance



Application example



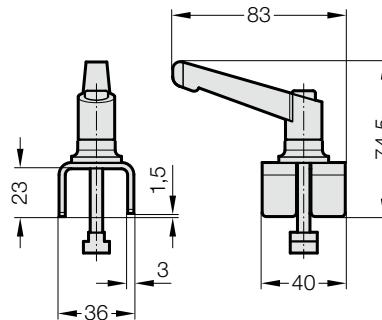
**Note:**

Distance for fastening element with height adjustment 2299.510

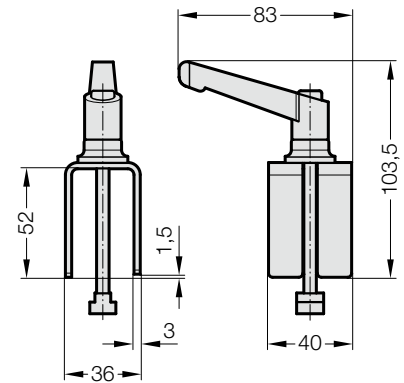
Fastening screws are not included in scope of delivery.



2299.540  
Guide channel clamp, low version



2299.541  
Guide channel clamp, high version



**Note:**

The guiding system tensioners fit the T-slots of the profile used for the transporters.

Max. side wall height of the guiding system ( l1 ):

2299.540 = 23 mm

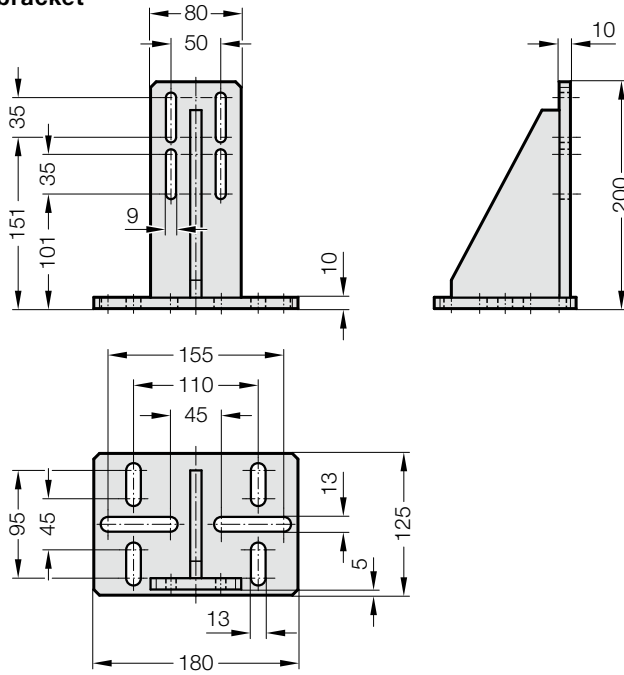
2299.541 = 52 mm



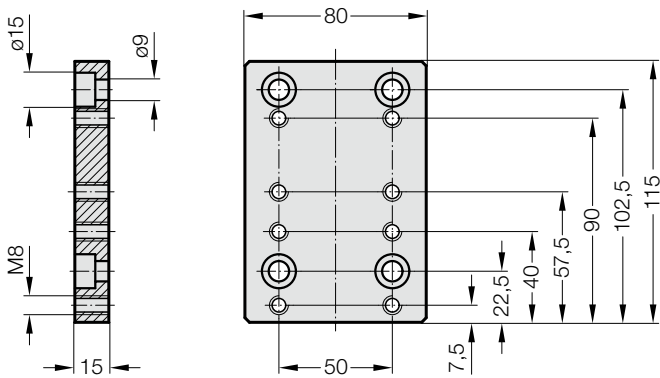


# ELECTRO-MECHANICAL TRANSPORTER MOUNTING BRACKET WITH ADAPTER PLATE

## 2299.530 Mounting bracket



## Adapter plate



## Note:

The mounting bracket and the adapter together allow individual mounting of the transporters 2299.001 and 2299.002.

Fastening screws are not included in scope of delivery.

