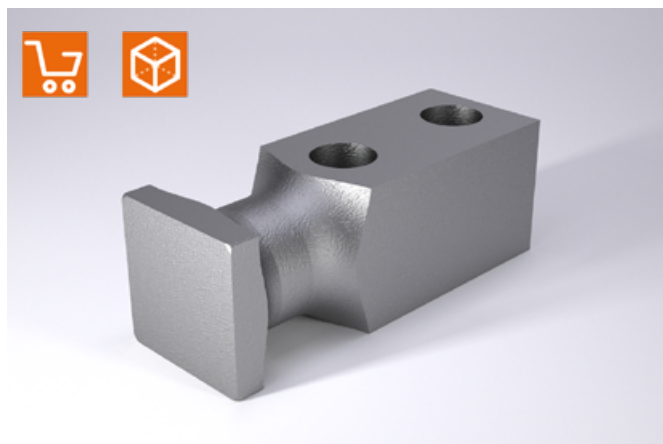
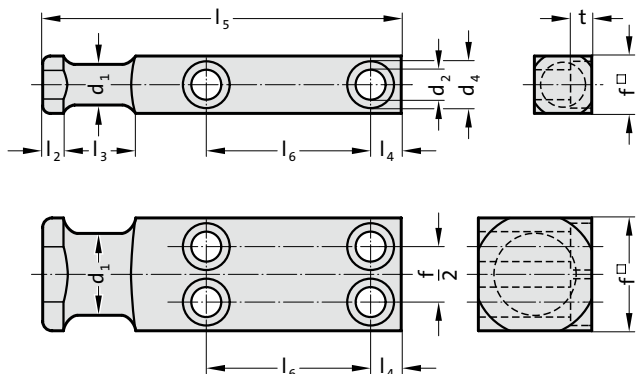


LIFTER STUD VDI 3366

LIFTER STUD WITH CABLE SECURING DEVICE, WITH WELDED DISC

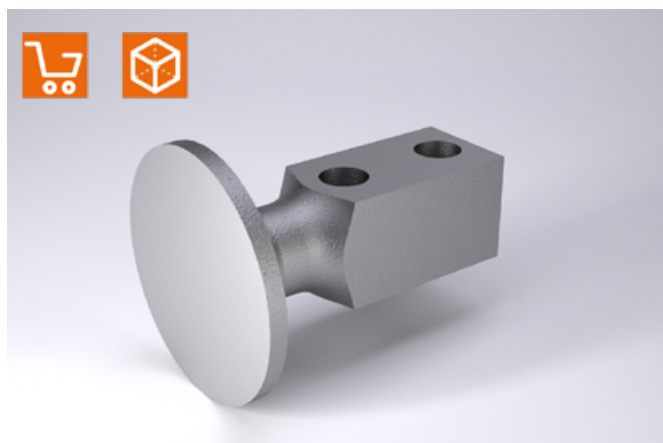
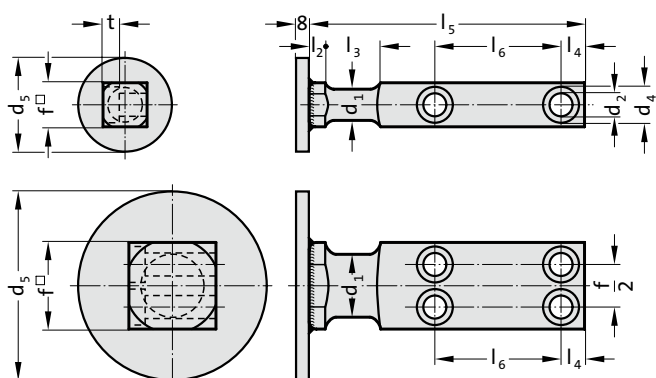
2130.11.



2130.11. Lifter stud VDI 3366

Order No	d ₁	d ₂	d ₄	f	l ₂	l ₃	l ₄	l ₅	l ₆	t	Number of screw holes	Lifting capacity [kg]
2130.11.020	16	9	15	20	6	20	10	80	34	9	2	320
2130.11.025	20	11	18	25	8	25	10	90	37	11	2	630
2130.11.035	25	13.5	20	35	8	30	12	100	38	13	2	1,250
2130.11.040	32	17.5	26	40	10	32	16	120	46	17.5	2	2,000
2130.11.050	40	22	33	50	10	40	18	140	54	21.5	2	3,200
2130.11.060	50	26	40	60	12	45	22	160	59	25.5	2	5,000
2130.11.080	63	22	33	80	12	50	20	200	78	21.5	4	8,000
2130.11.100	80	26	40	100	15	65	25	250	100	25.5	4	12,500
2130.11.120	100	33	48	120	15	80	30	300	125	32	4	20,000

2130.12.



2130.12. Lifter stud with cable securing device, with welded disc

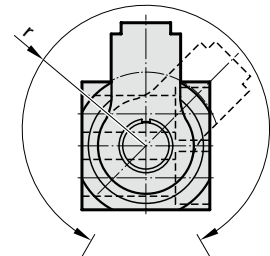
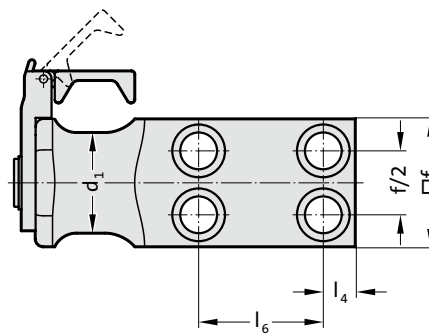
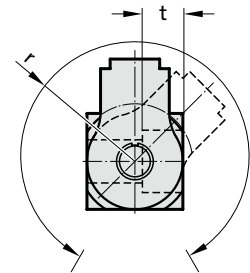
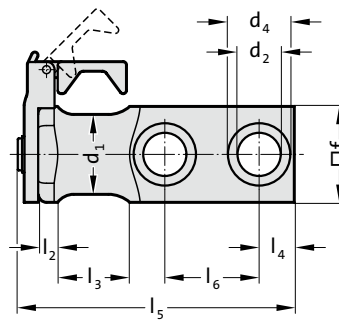
Order No	d ₁	d ₂	d ₄	d ₅	f	l ₂	l ₃	l ₄	l ₅	l ₆	t	Number of screw holes	Lifting capacity [kg]
2130.12.020	16	9	15	60	20	6	20	10	80	34	9	2	320
2130.12.025	20	11	18	70	25	8	25	10	90	37	11	2	630
2130.12.035	25	13.5	20	70	35	8	30	12	100	38	13	2	1,250
2130.12.040	32	17.5	26	110	40	10	32	16	120	46	17.5	2	2,000
2130.12.050	40	22	33	110	50	10	40	18	140	54	21.5	2	3,200
2130.12.060	50	26	40	150	60	12	45	22	160	59	25.5	2	5,000
2130.12.080	63	22	33	150	80	12	50	20	200	78	21.5	4	8,000
2130.12.100	80	26	40	150	100	15	65	25	250	100	25.5	4	12,500
2130.12.120	100	33	48	150	120	15	80	30	300	125	32	4	20,000

Pulley for cable securing device welded on

LIFTER STUD WITH CABLE SECURING DEVICE



2130.13.



Note:

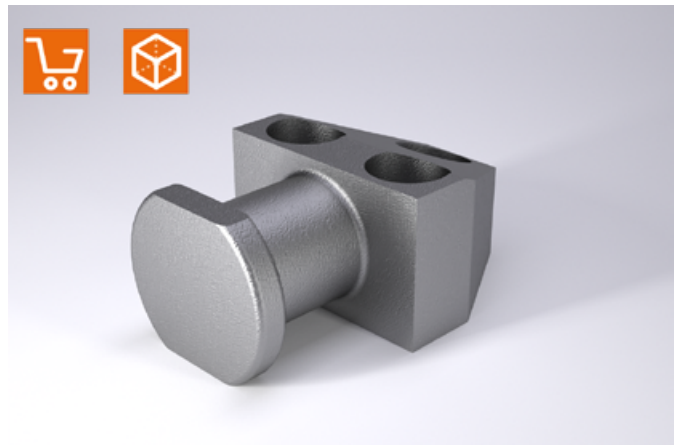
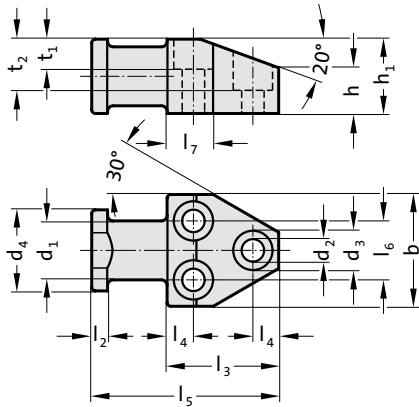
For opening the cable safety device, use key 2130.00.03.01 (to be ordered separately).

2130.13. Lifter stud with cable securing device

Order No	d_1	d_2	d_4	f	l_2	l_3	l_4	l_5	l_6	r	t	Number of screw holes	Lifting capacity [kg]
2130.13.025	20	11	18	25	8	25	10	99	37	38	11	2	630
2130.13.035	25	13.5	20	35	8	30	12	112.5	38	42	13	2	1,250
2130.13.040	32	17.5	26	40	10	32	16	132.5	46	52	17.5	2	2,000
2130.13.050	40	22	33	50	10	40	18	152.5	54	60	21.5	2	3,200
2130.13.060	50	26	40	60	12	45	22	173	59	66	25.5	2	5,000
2130.13.080	63	22	33	80	15	50	20	213.5	78	80	21.5	4	8,000

LIFTER STUD

213.13.



213.13. Lifter stud

Order No	b	d ₁	d ₂	d ₃	d ₄	h	h ₁	l ₂	l ₃	l ₄	l ₅	l ₆	l ₇	t ₁	t ₂	Lifting capacity [kg]
213.13.060	60	32	13.5	20	44	24	40	8	60	14	100	32	24	15	29	2,000
213.13.080	80	40	17.5	26	60	32	50	10	70	16	120	44	26	20	35.5	3,500
213.13.100	100	50	22	33	70	40	65	12	88	20	145	56	30	25	46.5	6,000