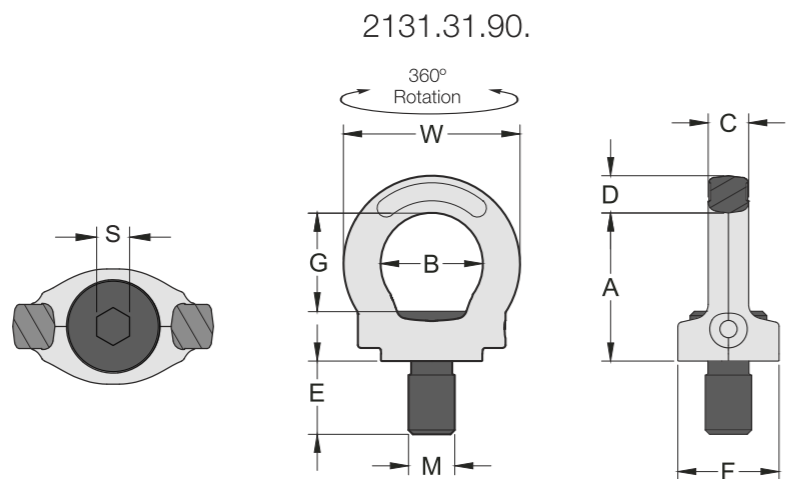




**LIFTING EYE BOLT, ROTATABLE**



**Material:**  
Alloy steel, quenched and tempered.

**Attention!**  
Capable of rotating under load, do not turn continuously in 90° direction at full load.

**Description:**  
Rotates through 360° adjustable in the direction of the load.  
Manufactured and tested in accordance with EN1677-1.

- Load rated parts are 100% magnaflux crack detected.
- Proof tested to 2.5 times the WLL.
- Embedded with Radio Frequency Identification Chip**

**2131.31.90. Lifting eye bolt, rotatable**

Part Code	"Rated Carrying Capacity Tonns"	"M mm"	E	"Pitch DIN 13"	A	B	C	D	F	G	S	W	"Tightening Torque Nm"
2131.31.90.008	0.3	M 8	12	1.25	38	25	9	9	25	24	6	44	10
2131.31.90.010	0.4	M 10	15	1.5	38	25	9	9	25	24	6	44	10
2131.31.90.012	0.75	M 12	18	1.75	45	30	10	11	33	30	8	52	10
2131.31.90.016	1.5	M 16	24	2	52	35	14	13	35	34	10	61	30
2131.31.90.020	2.3	M 20	30	2.5	60	40	16	15	44	37	12	70	70
2131.31.90.024	3.2	M 24	36	3	72	49	19	18	53	47	14	84	150
2131.31.90.030	4.5	M 30	45	3.5	91	61	24	22	62	59	17	105	350
2131.31.90.036	7.0	M 36	54	4	110	73	29	27	76	72	22	126	410
2131.31.90.042	9.0	M 42	63	4.5	128	83	34	32	89	81	24	147	550
2131.31.90.048	12.0	M 48	72	5	145	95	38	37	105	94	27	168	550
2131.31.90.056	16.0	M 56	84	5.5	148	102	40	43	124	92	27	178	800
2131.31.90.064	18.0	M 64	95	6	148	102	40	43	124	92	27	178	800

**2131.31.90. Max. carrying capacity G in tonnes for various types of attachment**

Type of attachment, Arrangement of the suspension points



No of lines	1	2	1	2	2	2	2	2	3-4	3-4	3-4
Angle of inclination/ Load Direction	0°	0°	90°	90°	0-45°	45° - 60°	unsymmetrical	0 - 45°	45° - 60°	unsymmetrical	
Order No	Thread										
	carrying capacity in tonnes										
2131.31.90.008	M 8	1	2	0.3	0.6	0.42	0.3	0.3	0.63	0.45	0.3
2131.31.90.010	M 10	1	2	0.4	0.8	0.56	0.4	0.4	0.84	0.6	0.4
2131.31.90.012	M 12	2	4	0.75	1.5	1	0.75	0.75	1.58	1.12	0.75
2131.31.90.016	M 16	4	8	1.5	3	2.1	1.5	1.5	3.15	2.25	1.5
2131.31.90.020	M 20	6	12	2.3	4.6	3.2	2.3	2.3	4.6	3.4	2.3
2131.31.90.024	M 24	8	16	3.2	6.4	4.5	3.2	3.2	6.7	4.8	3.2
2131.31.90.030	M 30	12	24	4.5	9	6.3	4.5	4.5	9.4	6.7	4.5
2131.31.90.036	M 36	16	32	7	14	9.8	7	7	14.7	10.5	7
2131.31.90.042	M 42	24	48	9	18	12.6	9	9	18.9	13.5	9
2131.31.90.048	M 48	32	64	12	24	16.8	12	12	25.2	18	12
2131.31.90.056	M 56	34	68	16	32	22.4	16	16	33.6	24	16
2131.31.90.064	M 64	36	72	18	36	25.2	18	18	37.8	27	18

**FIBRO INDIA PRECISION PRODUCTS PRIVATE LIMITED**

**Head Office & Works:**

Plot no: A-55, M.I.D.C,  
Phase II, Chakan,  
Pune - 410 501  
D +91 2135 670 900  
info@fibro-india.com  
www.fibro.com

**THE LÄPPLE GROUP**

LÄPPLE AUTOMOTIVE  
FIBRO  
FIBRO LÄPPLE TECHNOLOGY  
LÄPPLE AUS- UND  
WEITERBILDUNG

**North Region**

**Mr. Jayendrasinh Parmar**

Regional Manager – Business Development  
Phone: +91-999 8766 193  
Email: jayendra@fibro-india.com

**Mr. Rohit Kumar Tiwari**

Area Manager – Business Development  
Phone: +91-8860 217 271  
Email: rohit@fibro-india.com

**Mr. Sourabh Mittal**

Area Manager-Business Development  
Mobile: +91-8743025880  
sourabh@fibro-india.com

**West Region**

**Mr. Prasad Ambikar**

Area Manager – Business Development  
Phone: +91-9922 940 831  
Email: prasad.ambikar@fibro-india.com

**Mr. Afzal Hayat**

Assistant Area Manager – Business Development  
Phone: +91-9607978965  
Email: afzal@fibro-india.com

**South Region**

**Mr. Anbalagan Shan**

Regional Manager – Business Development  
Phone: +91-7871 732 930  
Email: anbalagan@fibro-india.com

**Mr. Mohammed Ismail**

Regional Manager - Business Development  
Phone: +91-9886 246 126  
Email: ismail@fibro-india.com

**Our Exclusive Channel Partners**

**VE TO CLAMPING SYSTEMS PRIVATE LIMITED**

Plot No S-712, Village Saran  
NIT Faridabad,121001  
Contact : +91 9999837100

**LEGEND TOOL TECH**

HIG – 50, SURYA NAGAR,  
1st Phase, Chandapura,  
Bangalore – 560099  
Contact : +91 9900697068  
legendtooltech@yahoo.com

**HYDRO SERVE SYSTEM**

No-123, Railway Station Road  
Korattur, Chennai- 600080  
Contact : +91 9884488901  
+91 9884488902/ +91 7550103593  
hydroserve-system@gmail.com

Version : 2020.08.01

