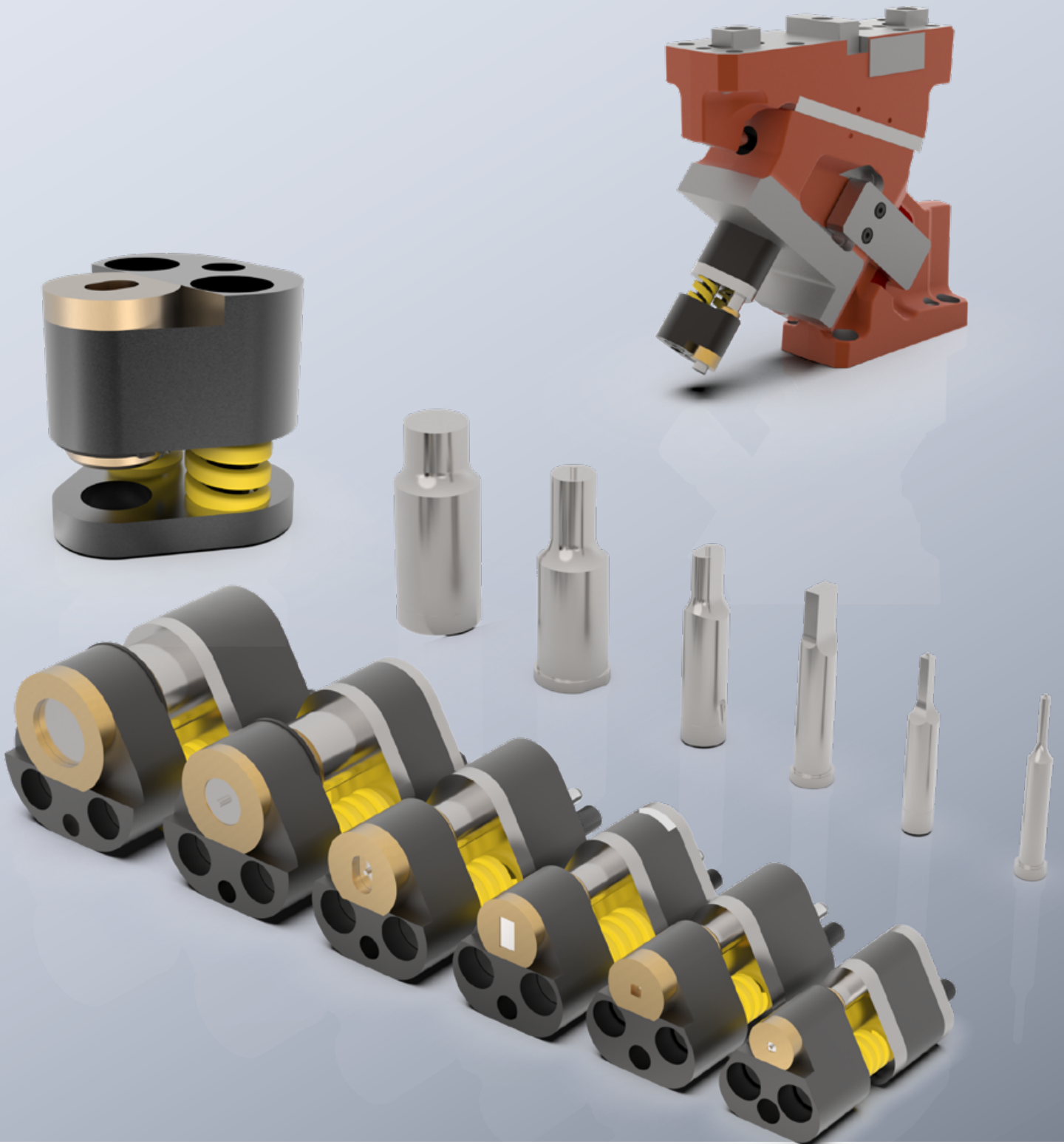


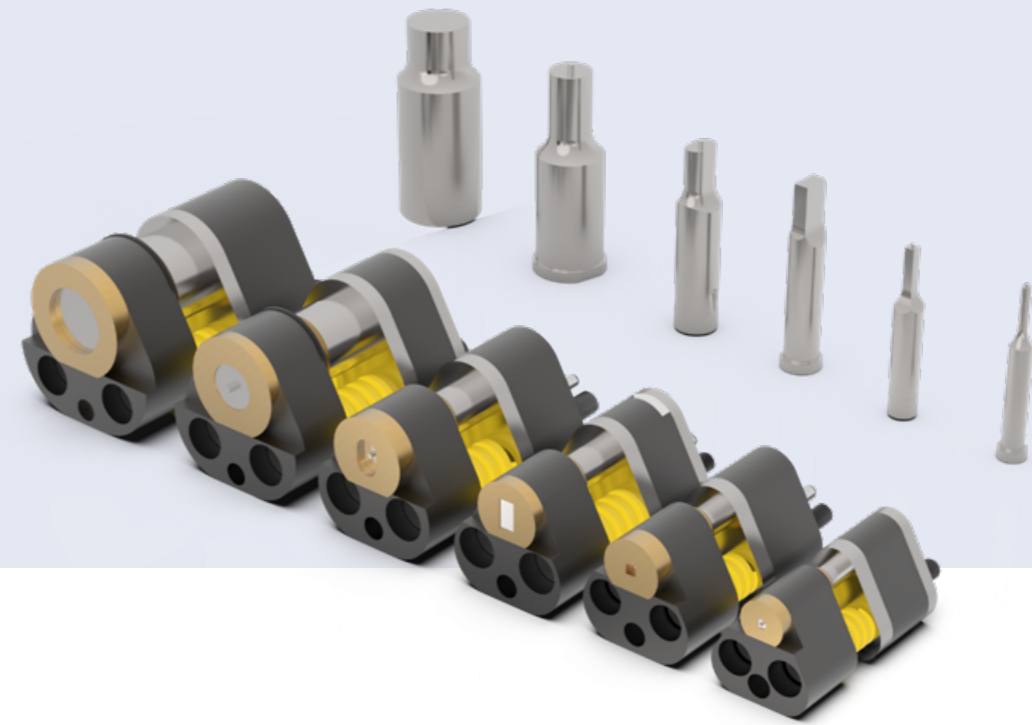
NEW PRODUCT
STRIPPER UNIT
POLY STRIP



ORDER SAMPLES

STRIPPER UNIT POLY STRIP

NOTE: SEE TABLE FOR STANDARD DIMENSIONS
SPECIAL DIMENSIONS TO ORDER



2 6 6 7 . F B 4 A . 0 6 5 0 . 0 4 5 0 . A

Stripper unit
POLY STRIP

Format: Slot
length P = 6.5 mm

Form: Slot
width W = 4.5 mm

Punch diameter: d ₁	Order Code character
10	= F
13	= G
16	= H
20	= J
25	= K
32	= L
38 (SWL*)	= M
40 (SWS*)	= N

Scraper bush length: l ₁	Order Code character
Standard	= A
long	= B

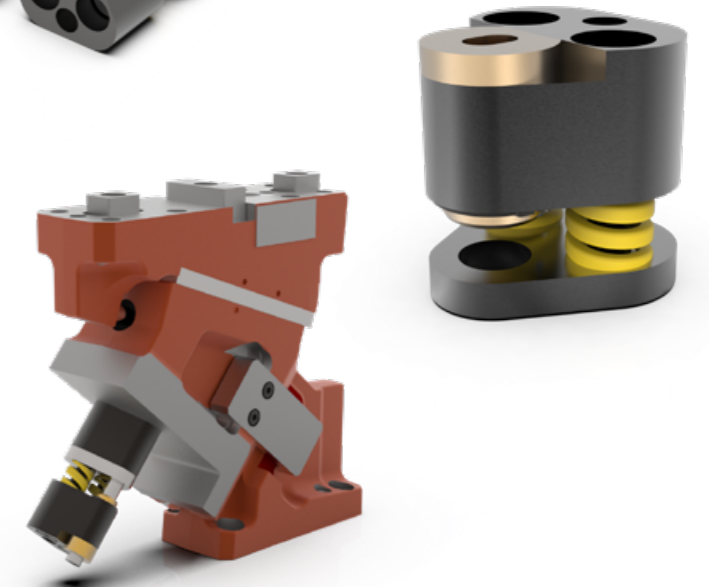
Cutting form position:	Order Code character
0°	= A
90°	= B
180°	= C
270°	= D
special	= X

Cutting form:	Order No
○ blank (pilot hole bore)	= 0
○ round	= 1
□ square	= 2
□ rectangular	= 3
○ slot	= 4
⊖ rectangle with radiused corners	= 5

Punch type:	ISO	SWL*	SWS*	Length l:
Order Code character:	= A	= D		80
	= B	= E	= G	90
	= C	= F	= H	100

*SWL: for ball-lock punch, lightweight design
*SWS: for ball-lock punch, heavy-duty design

The POLY STRIP stripper unit prevents damage and deformation on the sheet metal part during punching. The bronze scraper bush also avoids undesirable silicone deposits on the exterior components. The compact design allows the cutting elements to be organised in a minimal space.



Ordering Code (example):

2 6 6 7 . F B 4 A . 0 6 5 0 . 0 4 5 0 . A

Cutting form position:

0°

Order Code character

= (A)

Form: Slot width W

W = 4,5 mm

= 0450

Form: Slot length P

P = 6,5 mm

= 0650

Scraper bush length: l₁

Standard

Order Code character

= (A)

Cutting form:

slot

Order No

= (4)

Punch type/Length: l

ISO / l = 90 mm

Order Code character

= (B)

Punch diameter: d₁

d₁ = 10 mm

Order Code character

= (F)

Stripper unit POLY STRIP

= 2667

POLY STRIP STRIPPER UNIT, WITH START BOREHOLE, FOR ISO 8020 PUNCH

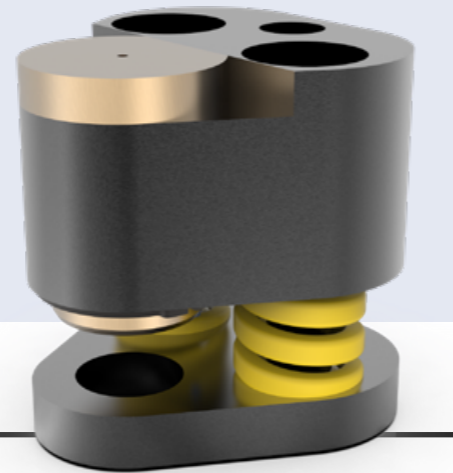
THE STRIPPER UNIT IS SUITABLE FOR USE WITH EXTERIOR SKIN PANELS.
USE WITH TRIANGULAR MOUNTING PLATE, FOR PUNCH ISO 8020 2664.02./2664.04.

MATERIAL:

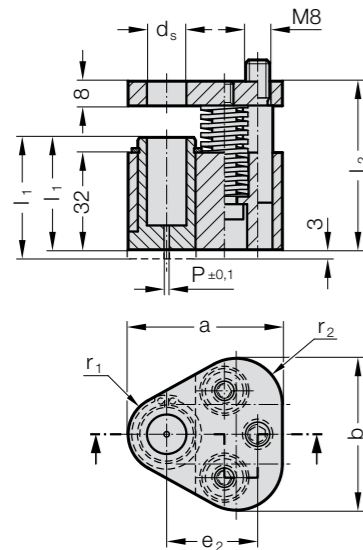
Scraper bush: CuZn25Al5 (no. 2.0598)
Scraper plate: 40CrMnMoS8-6 (no. 1.2312)
Pressure plate: 40CrMnMoS8-6 (no. 1.2312)

NOTE:

The stripper unit is available in 2 variants:
Standard (A) and Long (B).
Long variant of the stripper unit with 3 mm projecting edge suitable for retrofitting a contour.



2667.xx0x.



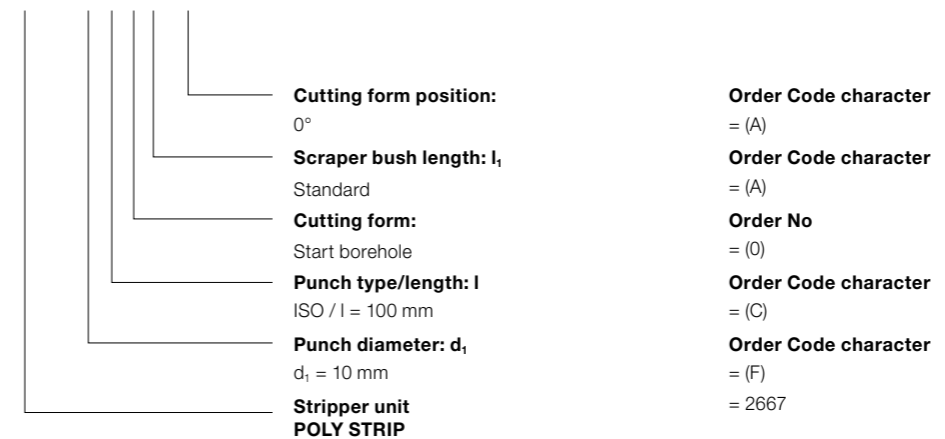
2667.xx0x. POLY STRIP STRIPPER UNIT, WITH START BOREHOLE, FOR ISO 8020 PUNCH

d _s / (Order Code character)	P	a	b	e ₂	r ₁	r ₂	l (Order Code character) l ₂	80 (A) 55.5	90 (B) 65.5	100 (C) 75.5	l ₁ (Order Code character) S _(max)	37 (A)	40 (B)
10 / (F)	1.5	44.5	43.7	26.925	9.5	12		●	●	●		●	●
13 / (G)	1.5	50.8	50	29.97	12.7	15.2		●	●	●		●	●
16 / (H)	1.5	54	53.2	31.75	14.3	16.8		●	●	●		●	●
20 / (J)	1.5	60.3	59.5	33.53	17.5	20		●	●	●		●	●
25 / (K)	1.5	69.9	69.1	40.64	22.2	24.7		●	●	●		●	●
32 / (L)	1.5	69.9	69.1	40.64	22.2	24.7		●	●	●		●	●

d _s / (Order Code character)	Punch length l Stripper bush l ₁	80 37	80 40	90 37	90 40	100 37	100 40
10 / (F)	Max. stripping force [N]	1022	884	1280	810	786	1098
13 / (G)		1022	884	1280	810	786	1098
16 / (H)		2856	1668	3128	1282	1920	2688
20 / (J)		5049	2714	5124	2180	3120	4368
25 / (K)		5049	2714	5124	2180	3120	4368
32 / (L)		5049	2714	5124	2180	3120	4368

Ordering Code (example):

2667.FC0A.A



POLY STRIP STRIPPER UNIT, ROUND, FOR ISO 8020 PUNCH

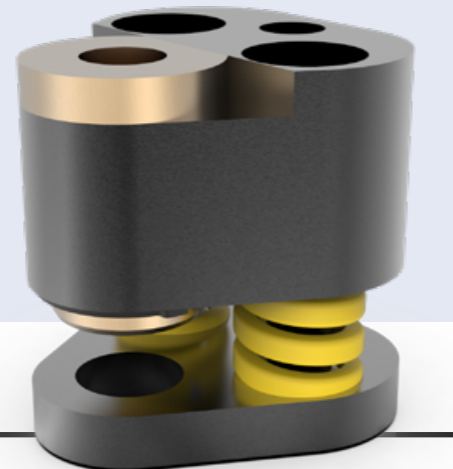
THE STRIPPER UNIT IS SUITABLE FOR USE WITH EXTERIOR SKIN PANELS.
USE WITH TRIANGULAR MOUNTING PLATE, FOR PUNCH ISO 8020 2664.02./2664.04.

MATERIAL:

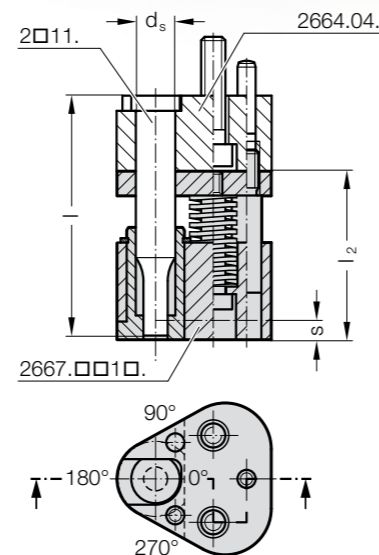
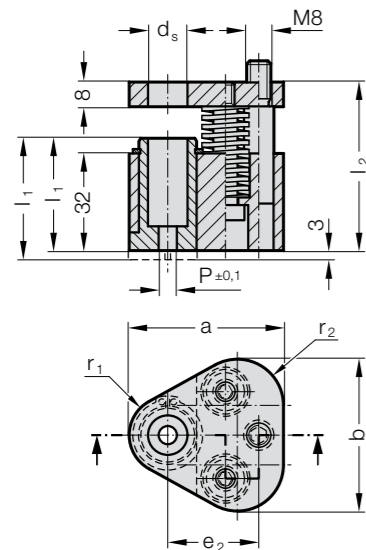
Scraper bush: CuZn25Al5 (no. 2.0598)
Scraper plate: 40CrMnMoS8-6 (no. 1.2312)
Pressure plate: 40CrMnMoS8-6 (no. 1.2312)

NOTE:

The stripper unit is available in 2 variants:
Standard (A) and Long (B).
Long variant of the stripper unit with 3 mm projecting edge suitable for retrofitting a contour.
Choose the position of the cutting form in the scraper bush in accordance with the position of the installed punch in the mounting plate.



2667.xx1x.



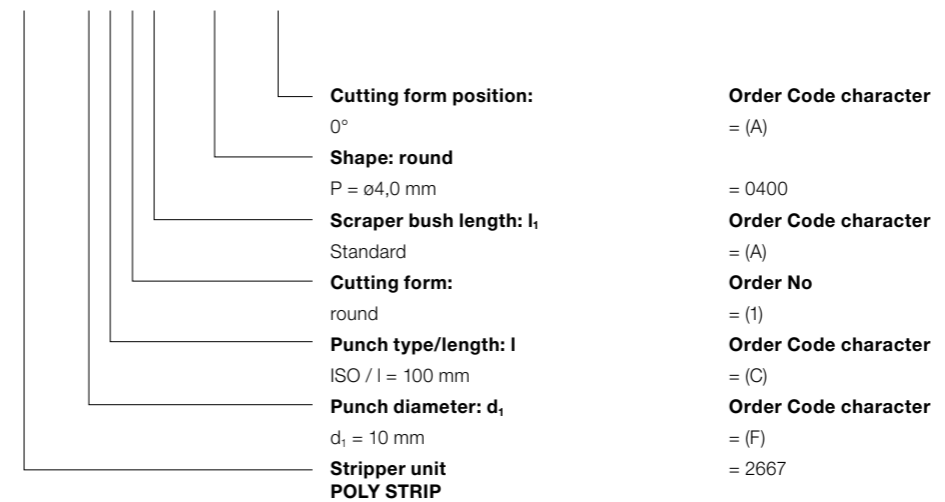
2667.xx1x. POLY STRIP STRIPPER UNIT, ROUND, FOR ISO 8020 PUNCH

d _s / (Order Code character)	P	a	b	e ₂	r ₁	r ₂	l (Order Code character) l ₂	80 (A) 55.5	90 (B) 65.5	100 (C) 75.5	l ₁ (Order Code character) S _(max)	37 (A) 6.5	40 (B) 9.5
10 / (F)	4 - 9.9	44.5	43.7	26.925	9.5	12		●	●	●		●	●
13 / (G)	5 - 12.9	50.8	50	29.97	12.7	15.2		●	●	●		●	●
16 / (H)	8 - 15.9	54	53.2	31.75	14.3	16.8		●	●	●		●	●
20 / (J)	12 - 19.9	60.3	59.5	33.53	17.5	20		●	●	●		●	●
25 / (K)	16.5 - 24.9	69.9	69.1	40.64	22.2	24.7		●	●	●		●	●
32 / (L)	20 - 31.9	69.9	69.1	40.64	22.2	24.7		●	●	●		●	●

d _s / (Order Code character)	Punch length l Stripper bush l ₁	80 37	80 40	90 37	90 40	100 37	100 40
10 / (F)	Max. stripping force [N]	1022	884	1280	810	786	1098
13 / (G)		1022	884	1280	810	786	1098
16 / (H)		2856	1668	3128	1282	1920	2688
20 / (J)		5049	2714	5124	2180	3120	4368
25 / (K)		5049	2714	5124	2180	3120	4368
32 / (L)		5049	2714	5124	2180	3120	4368

Ordering Code (example):

2667.FC1A.0400.A



POLY STRIP STRIPPER UNIT, SQUARE, FOR ISO 8020 PUNCH

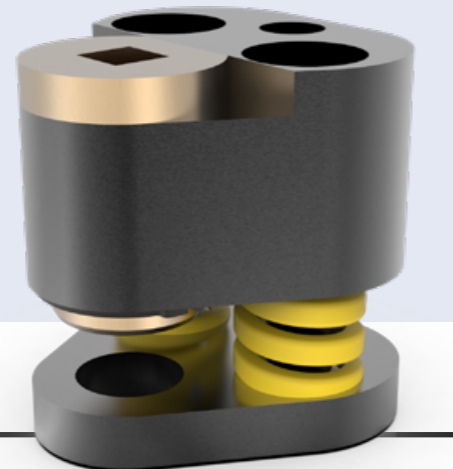
THE STRIPPER UNIT IS SUITABLE FOR USE WITH EXTERIOR SKIN PANELS.
USE WITH TRIANGULAR MOUNTING PLATE, FOR PUNCH ISO 8020 2664.04.

MATERIAL:

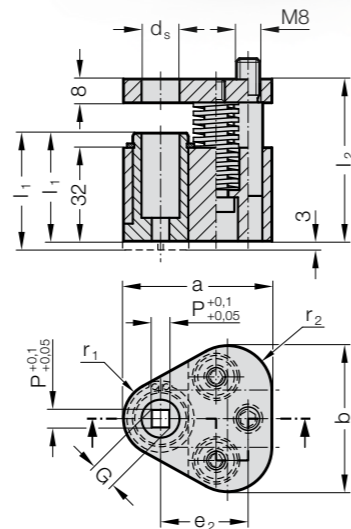
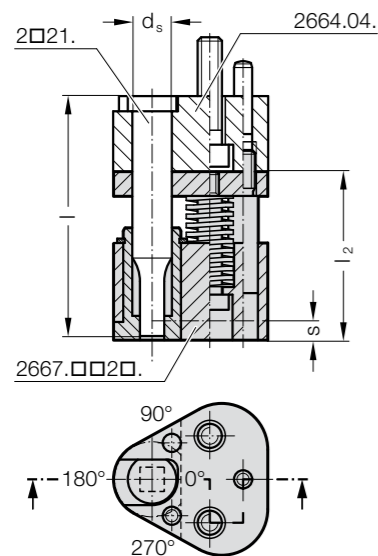
- Scraper bush: CuZn25Al5 (no. 2.0598)
- Scraper plate: 40CrMnMoS8-6 (no. 1.2312)
- Pressure plate: 40CrMnMoS8-6 (no. 1.2312)

NOTE:

The stripper unit is available in 2 variants:
Standard (A) and Long (B).
Long variant of the stripper unit with 3 mm projecting edge suitable for retrofitting a contour.
Choose the position of the cutting form in the scraper bush in accordance with the position of the installed punch in the mounting plate.



2667.xx2x.



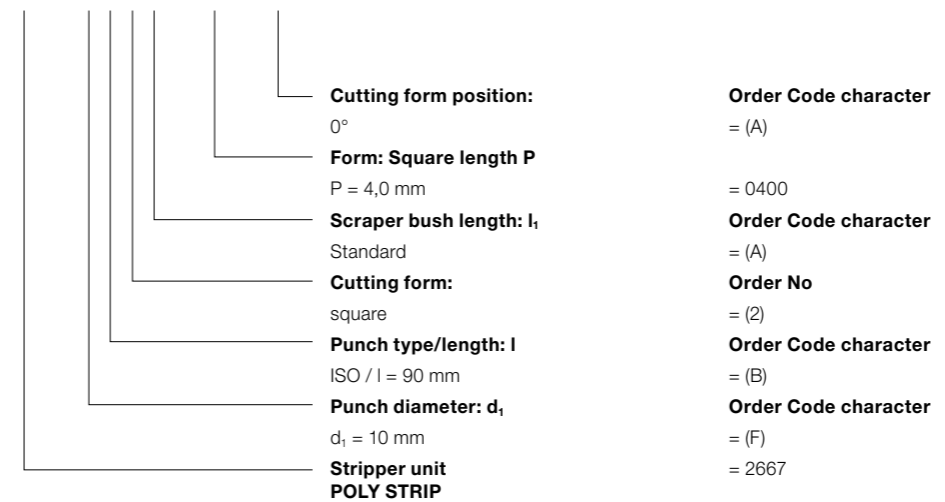
2667.xx2x. POLY STRIP STRIPPER UNIT, SQUARE, FOR ISO 8020 PUNCH

d _s / (Order Code character)	P _{min}	G _{max}	a	b	e ₂	r ₁	r ₂	I			I ₁	
								(Order Code character) I ₂	80 (A)	90 (B)	100 (C)	(Order Code character) S _(max)
10 / (F)	3.5	9.9	44.5	43.7	26.925	9.5	12	●	●	●	●	●
13 / (G)	4.5	12.9	50.8	50	29.97	12.7	15.2	●	●	●	●	●
16 / (H)	6	15.9	54	53.2	31.75	14.3	16.8	●	●	●	●	●
20 / (J)	8	19.9	60.3	59.5	33.53	17.5	20	●	●	●	●	●
25 / (K)	10	24.9	69.9	69.1	40.64	22.2	24.7	●	●	●	●	●
32 / (L)	10	31.9	69.9	69.1	40.64	22.2	24.7	●	●	●	●	●

d _s / (Order Code character)	Punch length I Stripper bush I ₁	80 37	80 40	90 37	90 40	100 37	100 40
10 / (F)	Max. stripping force [N]	1022	884	1280	810	786	1098
13 / (G)		1022	884	1280	810	786	1098
16 / (H)		2856	1668	3128	1282	1920	2688
20 / (J)		5049	2714	5124	2180	3120	4368
25 / (K)		5049	2714	5124	2180	3120	4368
32 / (L)		5049	2714	5124	2180	3120	4368

Ordering Code (example):

2667.FB2A.0400.A



POLY STRIP STRIPPER UNIT, RECTANGLE, FOR ISO 8020 PUNCH

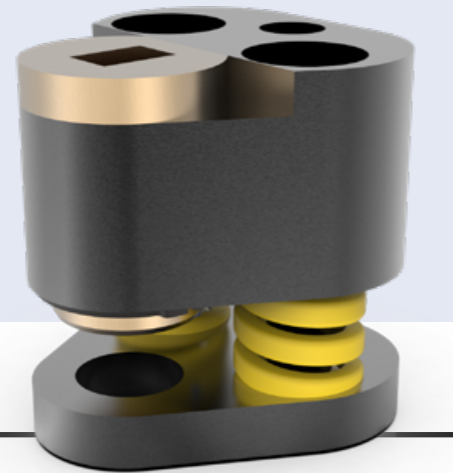
THE STRIPPER UNIT IS SUITABLE FOR USE WITH EXTERIOR SKIN PANELS.
USE WITH TRIANGULAR MOUNTING PLATE, FOR PUNCH ISO 8020 2664.04.

MATERIAL:

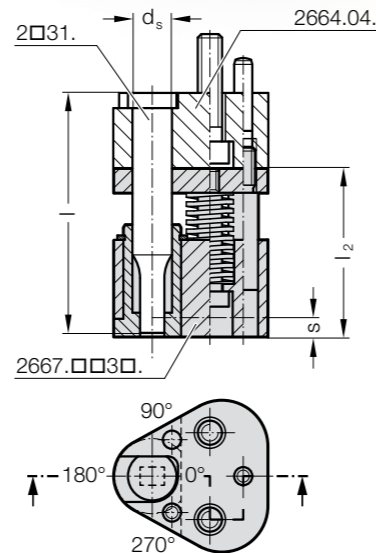
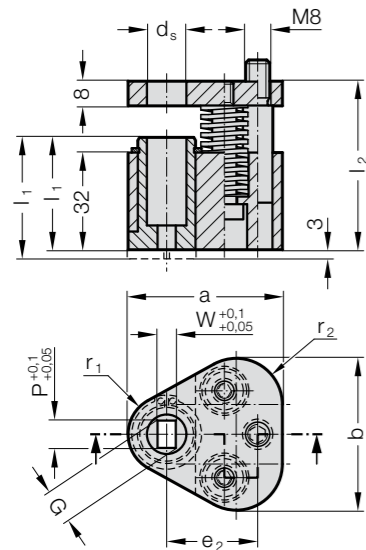
- Scraper bush: CuZn25Al5 (no. 2.0598)
- Scraper plate: 40CrMnMoS8-6 (no. 1.2312)
- Pressure plate: 40CrMnMoS8-6 (no. 1.2312)

NOTE:

The stripper unit is available in 2 variants:
Standard (A) and Long (B).
Long variant of the stripper unit with 3 mm projecting edge suitable for retrofitting a contour.
Choose the position of the cutting form in the scraper bush in accordance with the position of the installed punch in the mounting plate.



2667.xx3x.



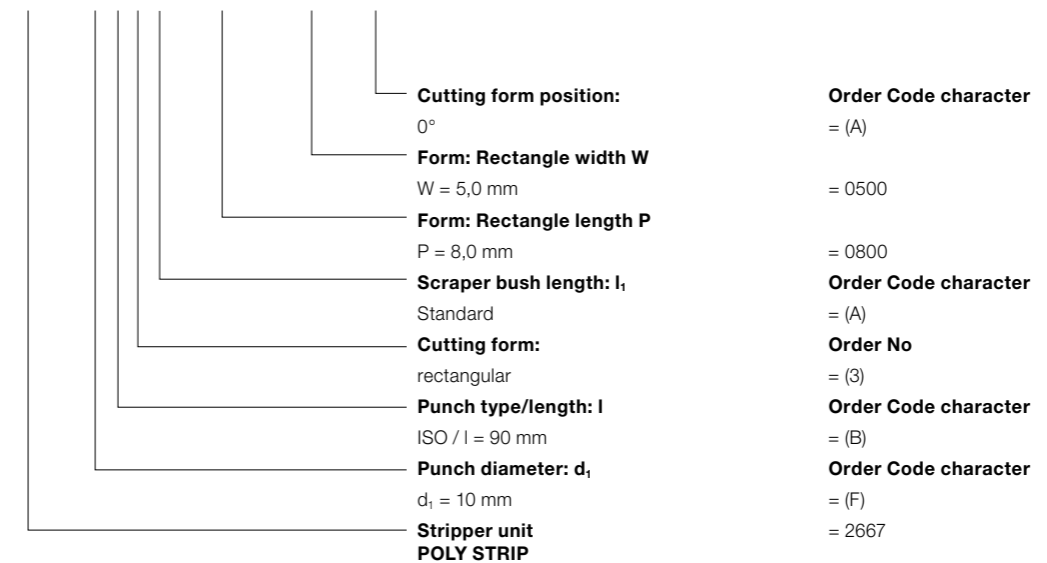
2667.xx3x. POLY STRIP STRIPPER UNIT, RECTANGLE, FOR ISO 8020 PUNCH

d _s / (Order Code character)	W _{min}	G _{max}	a	b	e ₂	r ₁	r ₂	l			l ₁		
								(Order Code character)	80 (A)	90 (B)	100 (C)	(Order Code character)	37 (A)
10 / (F)	3.5	9.9	44.5	43.7	26.925	9.5	12						
13 / (G)	4.5	12.9	50.8	50	29.97	12.7	15.2						
16 / (H)	6	15.9	54	53.2	31.75	14.3	16.8						
20 / (J)	8	19.9	60.3	59.5	33.53	17.5	20						
25 / (K)	10	24.9	69.9	69.1	40.64	22.2	24.7						
32 / (L)	10	31.9	69.9	69.1	40.64	22.2	24.7						

d _s / (Order Code character)	Punch length l Stripper bush l ₁	80	80	90	90	100	100
		37	40	37	40	37	40
10 / (F)	Max. stripping force [N]	1022	884	1280	810	786	1098
13 / (G)		1022	884	1280	810	786	1098
16 / (H)		2856	1668	3128	1282	1920	2688
20 / (J)		5049	2714	5124	2180	3120	4368
25 / (K)		5049	2714	5124	2180	3120	4368
32 / (L)		5049	2714	5124	2180	3120	4368

Ordering Code (example):

2667.FB3A.0800.0500.A



POLY STRIP STRIPPER UNIT, SLOT, FOR ISO 8020 PUNCH

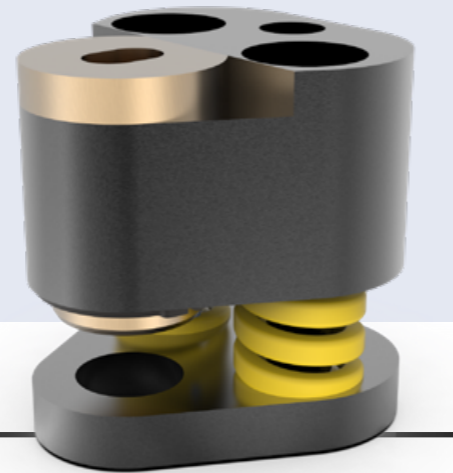
THE STRIPPER UNIT IS SUITABLE FOR USE WITH EXTERIOR SKIN PANELS.
USE WITH TRIANGULAR MOUNTING PLATE, FOR PUNCH ISO 8020 2664.04.

MATERIAL:

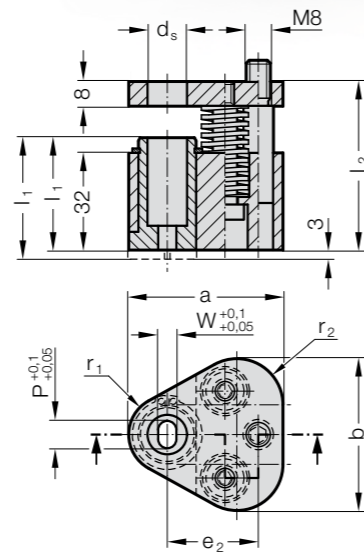
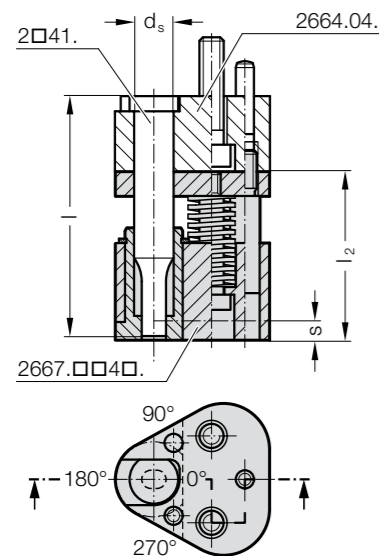
- Scraper bush: CuZn25Al5 (no. 2.0598)
- Scraper plate: 40CrMnMoS8-6 (no. 1.2312)
- Pressure plate: 40CrMnMoS8-6 (no. 1.2312)

NOTE:

The stripper unit is available in 2 variants:
Standard (A) and Long (B).
Long variant of the stripper unit with 3 mm projecting edge suitable for retrofitting a contour.
Choose the position of the cutting form in the scraper bush in accordance with the position of the installed punch in the mounting plate.



2667.xx4x.



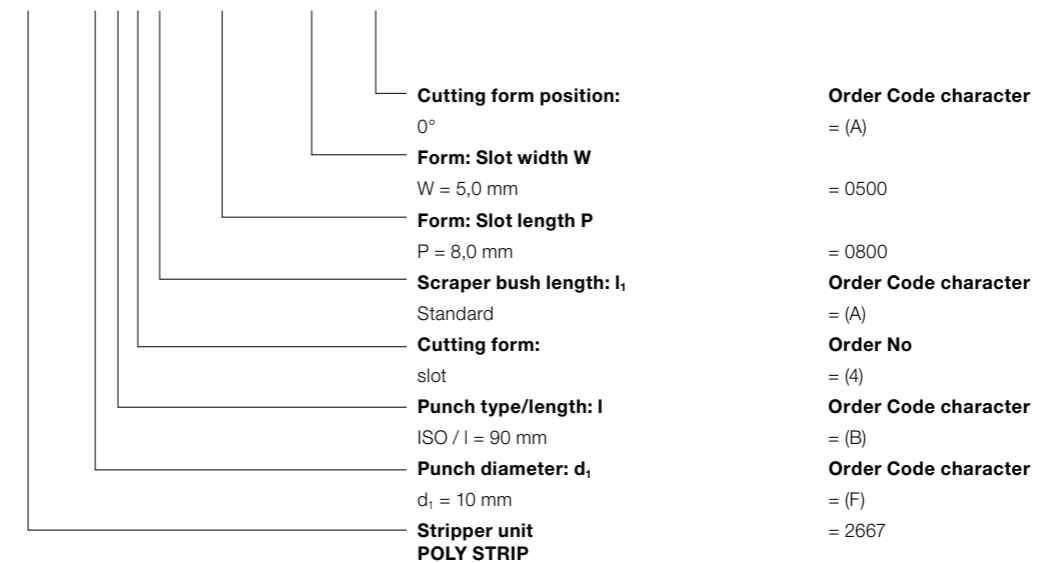
2667.xx4x. POLY STRIP STRIPPER UNIT, SLOT, FOR ISO 8020 PUNCH

d _s / (Order Code character)	W _{min}	G _{max}	a	b	e ₂	r ₁	r ₂	l			l ₁		
								(Order Code character)	80 (A)	90 (B)	100 (C)	(Order Code character)	37 (A)
10 / (F)	3.5	9.9	44.5	43.7	26.925	9.5	12						
13 / (G)	4.5	12.9	50.8	50	29.97	12.7	15.2						
16 / (H)	6	15.9	54	53.2	31.75	14.3	16.8						
20 / (J)	8	19.9	60.3	59.5	33.53	17.5	20						
25 / (K)	10	24.9	69.9	69.1	40.64	22.2	24.7						
32 / (L)	10	31.9	69.9	69.1	40.64	22.2	24.7						

d _s / (Order Code character)	Punch length l Stripper bush l ₁	80	80	90	90	100	100
		37	40	37	40	37	40
10 / (F)	Max. stripping force [N]	1022	884	1280	810	786	1098
13 / (G)		1022	884	1280	810	786	1098
16 / (H)		2856	1668	3128	1282	1920	2688
20 / (J)		5049	2714	5124	2180	3120	4368
25 / (K)		5049	2714	5124	2180	3120	4368
32 / (L)		5049	2714	5124	2180	3120	4368

Ordering Code (example):

2667.FB4A.0800.0500.A



POLY STRIP STRIPPER UNIT, RECTANGLE WITH RADIUS, FOR ISO 8020 PUNCH

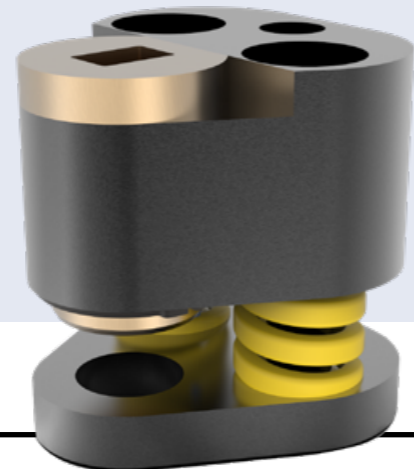
THE STRIPPER UNIT IS SUITABLE FOR USE WITH EXTERIOR SKIN PANELS.
USE WITH TRIANGULAR MOUNTING PLATE, FOR PUNCH ISO 8020 2664.04.

MATERIAL:

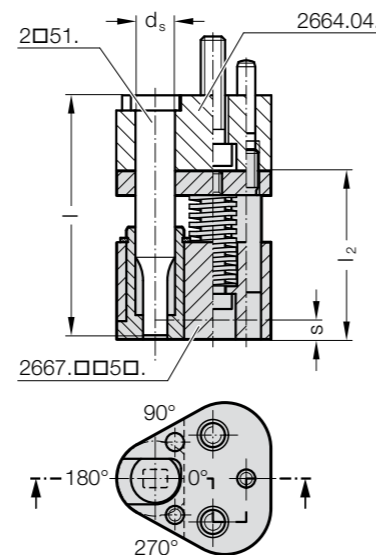
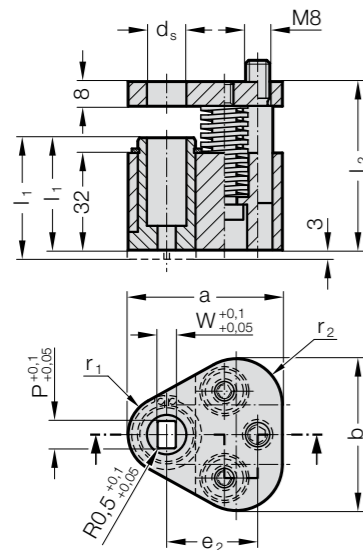
Scraper bush: CuZn25Al5 (no. 2.0598)
Scraper plate: 40CrMnMoS8-6 (no. 1.2312)
Pressure plate: 40CrMnMoS8-6 (no. 1.2312)

NOTE:

The stripper unit is available in 2 variants:
Standard (A) and Long (B).
Long variant of the stripper unit with 3 mm projecting edge suitable for retrofitting a contour.
Choose the position of the cutting form in the scraper bush in accordance with the position of the installed punch in the mounting plate.



2667.xx5x.



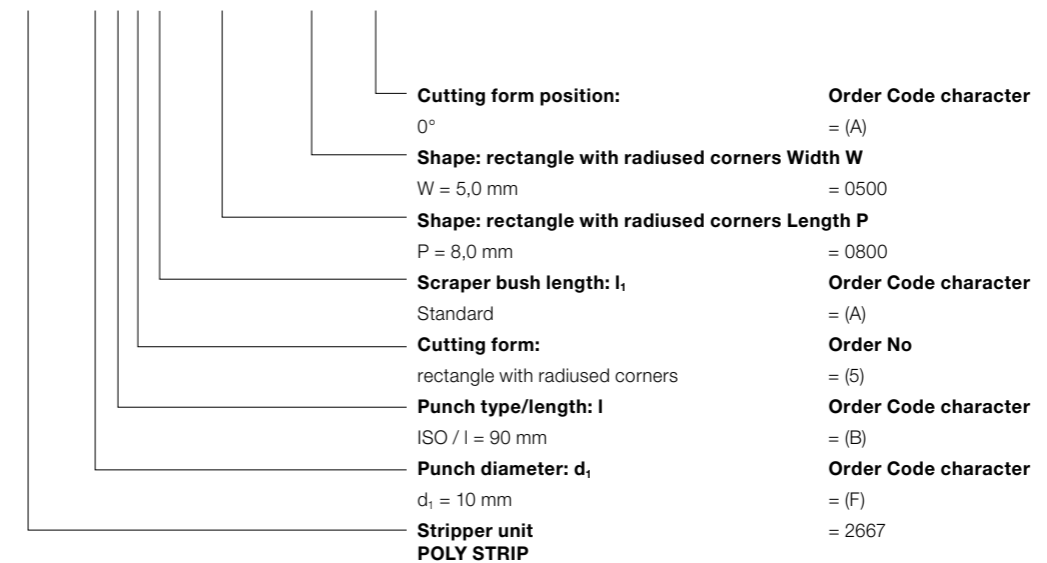
2667.xx5x. POLY STRIP STRIPPER UNIT, RECTANGLE WITH RADIUS, FOR ISO 8020 PUNCH

d _s / (Order Code character)	W _{min}	G _{max}	a	b	e ₂	r ₁	r ₂	l			l ₁	
								(Order Code character)	80 (A)	90 (B)	100 (C)	(Order Code character)
10 / (F)	3.5	9.9	44.5	43.7	26.925	9.5	12	●	●	●	●	●
13 / (G)	4.5	12.9	50.8	50	29.97	12.7	15.2	●	●	●	●	●
16 / (H)	6	15.9	54	53.2	31.75	14.3	16.8	●	●	●	●	●
20 / (J)	8	19.9	60.3	59.5	33.53	17.5	20	●	●	●	●	●
25 / (K)	10	24.9	69.9	69.1	40.64	22.2	24.7	●	●	●	●	●
32 / (L)	10	31.9	69.9	69.1	40.64	22.2	24.7	●	●	●	●	●

d _s / (Order Code character)	Punch length l Stripper bush l ₁	80	80	90	90	100	100
		37	40	37	40	37	40
10 / (F)	Max. stripping force [N]	1022	884	1280	810	786	1098
13 / (G)		1022	884	1280	810	786	1098
16 / (H)		2856	1668	3128	1282	1920	2688
20 / (J)		5049	2714	5124	2180	3120	4368
25 / (K)		5049	2714	5124	2180	3120	4368
32 / (L)		5049	2714	5124	2180	3120	4368

Ordering Code (example):

2667.FB5A.0800.0500.A



POLY STRIP STRIPPER UNIT, WITH START BOREHOLE, FOR BALL-LOCK PUNCH

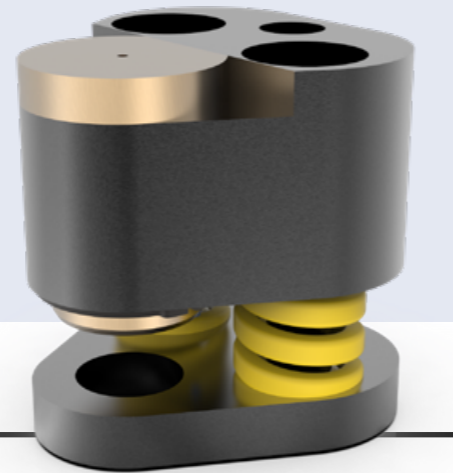
THE BRUSH CLEANER UNIT IS SUITABLE FOR USE WITH EXTERIOR SKIN PANELS. USE WITH TRIANGULAR MOUNTING PLATE, FOR BALL-LOCK PUNCH 2664.05./06./10.

MATERIAL:

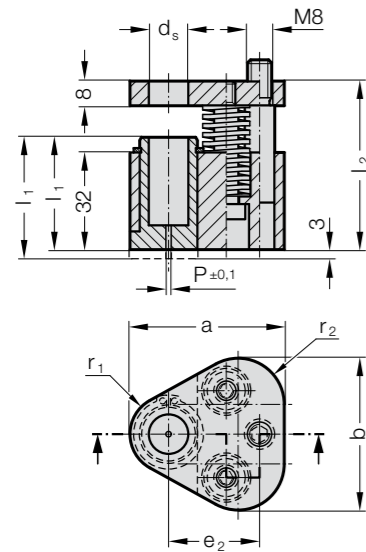
- Scraper bush: CuZn25Al5 (no. 2.0598)
- Scraper plate: 40CrMnMoS8-6 (no. 1.2312)
- Pressure plate: 40CrMnMoS8-6 (no. 1.2312)

NOTE:

The stripper unit is available in 2 variants: Standard (A) and Long (B). Long variant of the stripper unit with 3 mm projecting edge suitable for retrofitting a contour.



2667.xx0x.



2667.xx0x.

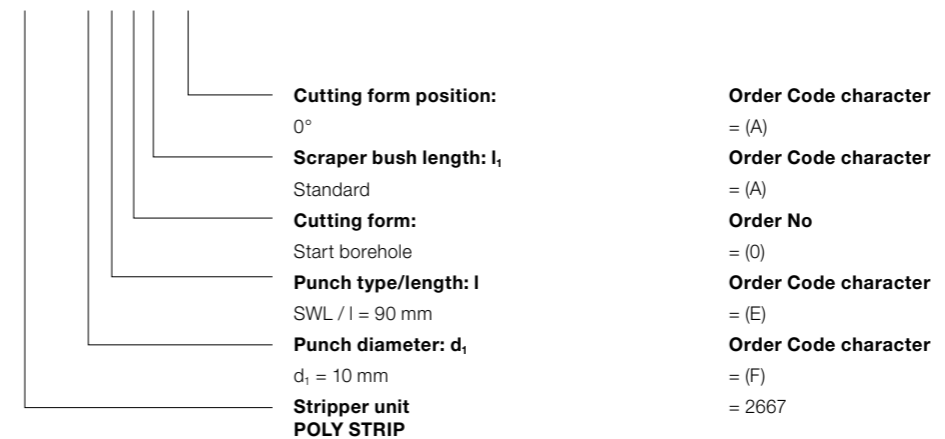
POLY STRIP STRIPPER UNIT, WITH START BOREHOLE, FOR BALL-LOCK PUNCH

d _s / (Order Code character)	P	a	b	e ₂	r ₁	r ₂	Punch type l (Order Code character) l ₂	SWL	SWL	SWS	SWL	SWS	l ₁ (Order Code character)	37	40
								(D)	(E)	(G)	(F)	(H)		(A)	(B)
10 / (F)	1.5	44.5	43.7	26.925	9.5	12		●	●	●	●	●		●	●
13 / (G)	1.5	50.8	50	29.97	12.7	15.2		●	●	●	●	●		●	●
16 / (H)	1.5	54	53.2	31.75	14.3	16.8		●	●	●	●	●		●	●
20 / (J)	1.5	60.3	59.5	33.53	17.5	20		●	●	●	●	●		●	●
25 / (K)	1.5	69.9	69.1	40.64	22.2	24.7		●	●	●	●	●		●	●
32 / (L)	1.5	69.9	69.1	40.64	22.2	24.7		●	●	●	●	●		●	●
38 / (M)	1.5	77.4	76.6	43.99	26	28.5		●	●		●			●	●
40 / (N)	1.5	77.4	76.6	43.99	26	28.5				●		●		●	●

d _s / (Order Code character)	Punch type Punch length l Stripper bush l ₁	SWL	SWL	SWL	SWL	SWL	SWL	SWS	SWS	SWS	SWS
		080	080	090	090	100	100	090	090	100	100
		37	40	37	40	37	40	37	40	37	40
10 / (F)	Max. stripping force [N]	1022	884	1280	810	786	1098	1280	810	786	1098
13 / (G)		1022	884	1280	810	786	1098	1280	810	786	1098
16 / (H)		2856	1668	3128	1282	1920	2688	3128	1282	1920	2688
20 / (J)		5049	2714	5124	2180	3120	4368	5124	2180	3120	4368
25 / (K)		5049	2714	5124	2180	3120	4368	5124	2180	3120	4368
32 / (L)		5049	2714	5124	2180	3120	4368	5124	2180	3120	4368
38 / (M)		5049	2714	5124	2180	3120	4368				
40 / (N)								5124	2180	3120	4368

Ordering Code (example):

2667.FE0A.A



POLY STRIP STRIPPER UNIT, ROUND, FOR BALL-LOCK PUNCH

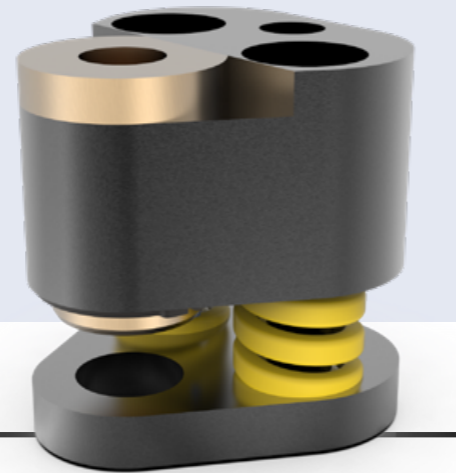
THE BRUSH CLEANER UNIT IS SUITABLE FOR USE WITH EXTERIOR SKIN PANELS.
USE WITH TRIANGULAR MOUNTING PLATE, FOR BALL-LOCK PUNCH 2664.05./06./10.

MATERIAL:

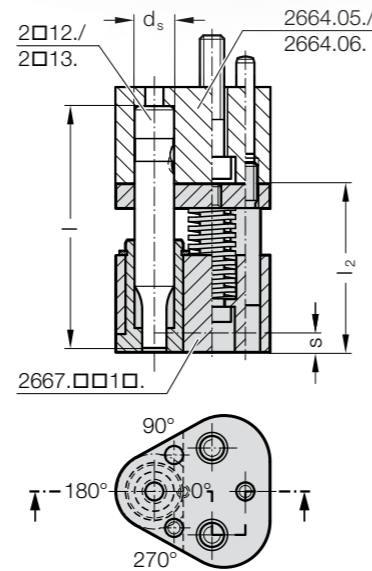
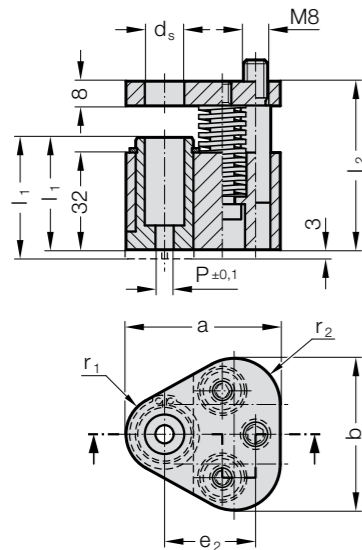
- Scraper bush: CuZn25Al5 (no. 2.0598)
- Scraper plate: 40CrMnMoS8-6 (no. 1.2312)
- Pressure plate: 40CrMnMoS8-6 (no. 1.2312)

NOTE:

The stripper unit is available in 2 variants:
Standard (A) and Long (B).
Long variant of the stripper unit with 3 mm projecting edge suitable for retrofitting a contour.
Choose the position of the cutting form in the scraper bush in accordance with the position of the installed punch in the mounting plate.



2667.xx1x.



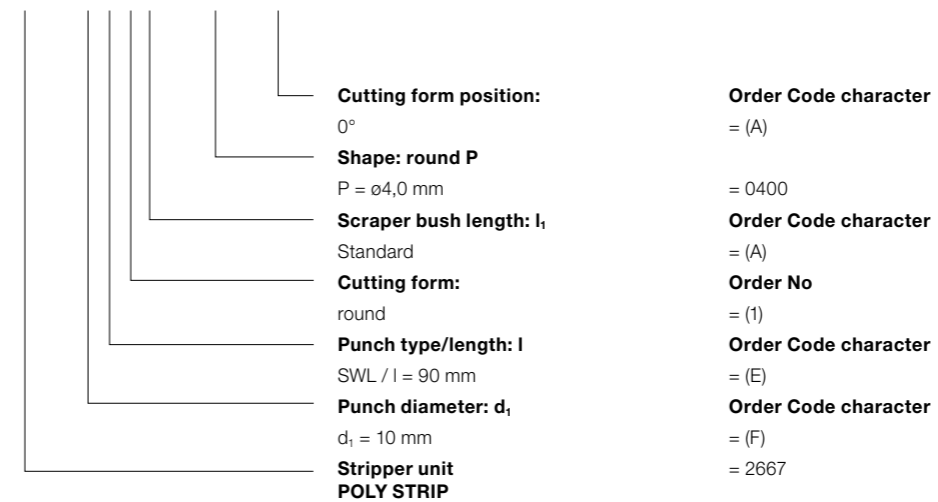
2667.xx1x. POLY STRIP STRIPPER UNIT, ROUND, FOR BALL-LOCK PUNCH

d _s / (Order Code character)	P	a	b	e ₂	r ₁	r ₂	Punch type l (Order Code character) l ₂	SWL	SWL	SWS	SWL	SWS	I ₁ (Order Code character) S _(max)	37	40
								(D)	(E)	(G)	(F)	(H)		(A)	(B)
10 / (F)	1.6 - 9.9	44.5	43.7	26.925	9.5	12		●	●	●	●	●		●	●
13 / (G)	5 - 12.9	50.8	50	29.97	12.7	15.2		●	●	●	●	●		●	●
16 / (H)	8 - 15.9	54	53.2	31.75	14.3	16.8		●	●	●	●	●		●	●
20 / (J)	12 - 19.9	60.3	59.5	33.53	17.5	20		●	●	●	●	●		●	●
25 / (K)	16 - 24.9	69.9	69.1	40.64	22.2	24.7		●	●	●	●	●		●	●
32 / (L)	24 - 31.9	69.9	69.1	40.64	22.2	24.7		●	●	●	●	●		●	●
38 / (M)	30 - 37.9	77.4	76	43.9	26	28.5		●	●		●			●	●
40 / (N)	30 - 39.9	77.4	76	43.9	26	28.5				●		●		●	●

d _s / (Order Code character)	Punch type Punch length l Stripper bush l ₁	SWL 080 37	SWL 080 40	SWL 090 37	SWL 090 40	SWL 100 37	SWL 100 40	SWS 090 37	SWS 090 40	SWS 100 37	SWS 100 40
10 / (F)	Max. stripping force [N]	1022	884	1280	810	786	1098	1280	810	786	1098
13 / (G)		1022	884	1280	810	786	1098	1280	810	786	1098
16 / (H)		2856	1668	3128	1282	1920	2688	3128	1282	1920	2688
20 / (J)		5049	2714	5124	2180	3120	4368	5124	2180	3120	4368
25 / (K)		5049	2714	5124	2180	3120	4368	5124	2180	3120	4368
32 / (L)		5049	2714	5124	2180	3120	4368	5124	2180	3120	4368
38 / (M)		5049	2714	5124	2180	3120	4368				
40 / (N)								5124	2180	3120	4368

Ordering Code (example):

2667.FE1A.0400.A



POLY STRIP STRIPPER UNIT, SQUARE, FOR BALL-LOCK PUNCH

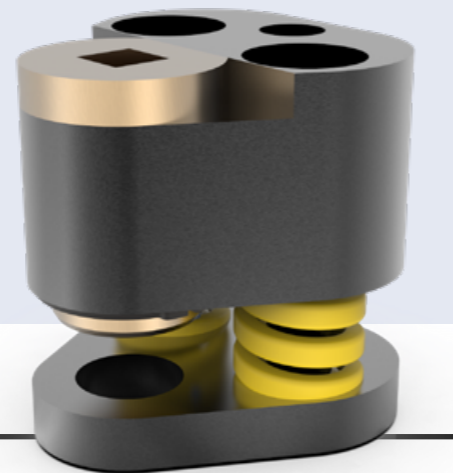
THE BRUSH CLEANER UNIT IS SUITABLE FOR USE WITH EXTERIOR SKIN PANELS.
USE WITH TRIANGULAR MOUNTING PLATE, FOR BALL-LOCK PUNCH 2664.05./06./10.

MATERIAL:

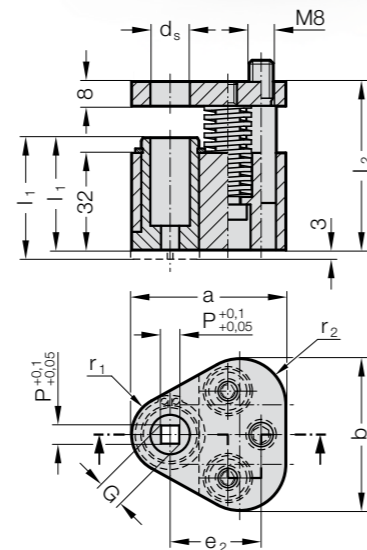
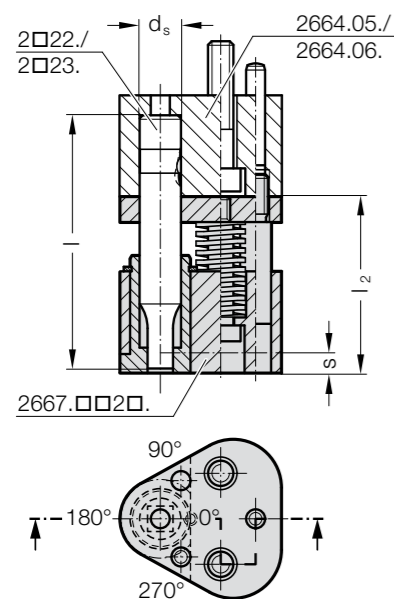
- Scraper bush: CuZn25Al5 (no. 2.0598)
- Scraper plate: 40CrMnMoS8-6 (no. 1.2312)
- Pressure plate: 40CrMnMoS8-6 (no. 1.2312)

NOTE:

The stripper unit is available in 2 variants:
Standard (A) and Long (B).
Long variant of the stripper unit with 3 mm projecting edge suitable for retrofitting a contour.
Choose the position of the cutting form in the scraper bush in accordance with the position of the installed punch in the mounting plate.



2667.xx2x.



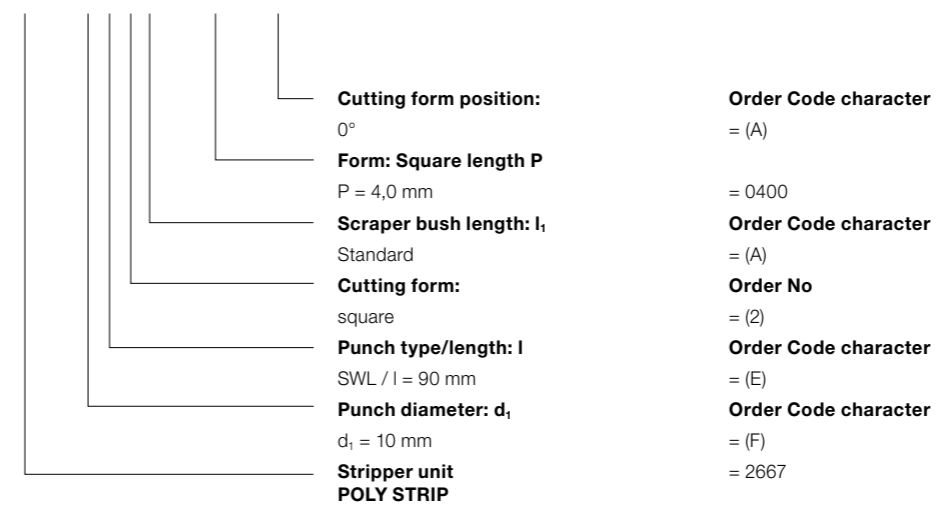
2667.xx2x. POLY STRIP STRIPPER UNIT, SQUARE, FOR BALL-LOCK PUNCH

d _s / (Order Code character)	P _{min}	G _{max}	a	b	e ₂	r ₁	r ₂	Punch type I (Order Code character) l ₂	SWL	SWL	SWS	SWL	SWS	I ₁ (Order Code character) S _(max)	37	40
									(D)	(E)	(G)	(F)	(H)		(A)	(B)
10 / (F)	1.6	9.9	44.5	43.7	26.925	9.5	12			●	●	●	●		●	●
13 / (G)	4.5	12.9	50.8	50	29.97	12.7	15.2			●	●	●	●		●	●
16 / (H)	6	15.9	54	53.2	31.75	14.3	16.8			●	●	●	●		●	●
20 / (J)	8	19.9	60.3	59.5	33.53	17.5	20			●	●	●	●		●	●
25 / (K)	10	24.9	69.9	69.1	40.64	22.2	24.7			●	●	●	●		●	●
32 / (L)	12.5	31.9	69.9	69.1	40.64	22.2	24.7			●	●	●	●		●	●
38 / (M)	14	37.9	77.4	76	43.9	26	28.5		●	●		●			●	●
40 / (N)	14	39.9	77.4	76	43.9	26	28.5				●		●		●	●

d _s / (Order Code character)	Punch type Punch length I Stripper bush I ₁	SWL 080 37	SWL 080 40	SWL 090 37	SWL 090 40	SWL 100 37	SWL 100 40	SWS 090 37	SWS 090 40	SWS 100 37	SWS 100 40
10 / (F)	Max. stripping force [N]	1022	884	1280	810	786	1098	1280	810	786	1098
13 / (G)		1022	884	1280	810	786	1098	1280	810	786	1098
16 / (H)		2856	1668	3128	1282	1920	2688	3128	1282	1920	2688
20 / (J)		5049	2714	5124	2180	3120	4368	5124	2180	3120	4368
25 / (K)		5049	2714	5124	2180	3120	4368	5124	2180	3120	4368
32 / (L)		5049	2714	5124	2180	3120	4368	5124	2180	3120	4368
38 / (M)		5049	2714	5124	2180	3120	4368				
40 / (N)								5124	2180	3120	4368

Ordering Code (example):

2667.FE2A.0400.A



POLY STRIP STRIPPER UNIT, RECTANGLE, FOR BALL-LOCK PUNCH

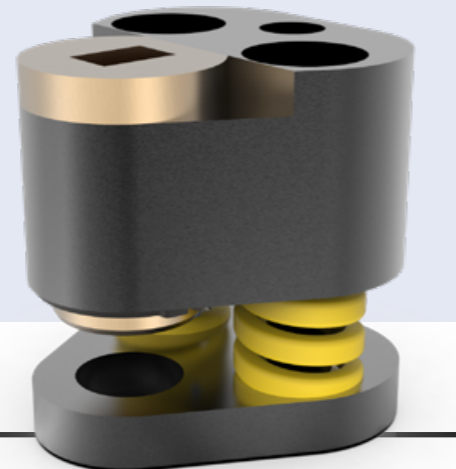
THE BRUSH CLEANER UNIT IS SUITABLE FOR USE WITH EXTERIOR SKIN PANELS.
USE WITH TRIANGULAR MOUNTING PLATE, FOR BALL-LOCK PUNCH 2664.05./06./10.

MATERIAL:

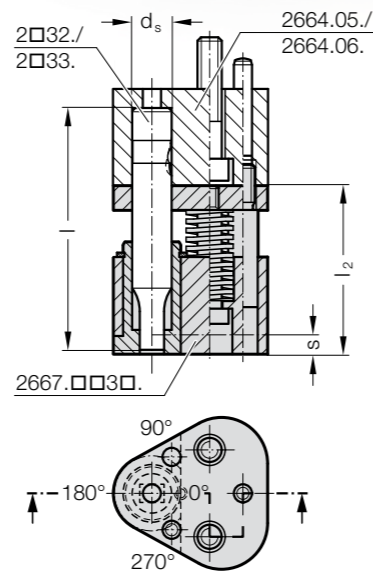
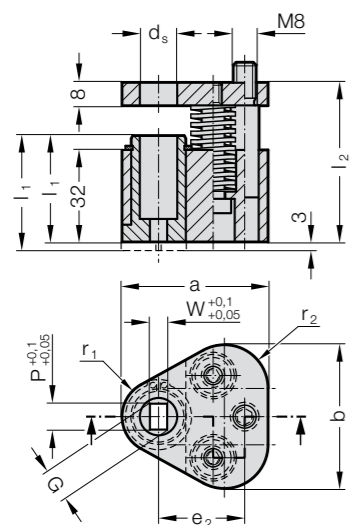
- Scraper bush: CuZn25Al5 (no. 2.0598)
- Scraper plate: 40CrMnMoS8-6 (no. 1.2312)
- Pressure plate: 40CrMnMoS8-6 (no. 1.2312)

NOTE:

The stripper unit is available in 2 variants: Standard (A) and Long (B).
Long variant of the stripper unit with 3 mm projecting edge suitable for retrofitting a contour.
Choose the position of the cutting form in the scraper bush in accordance with the position of the installed punch in the mounting plate.



2667.xx3x.



2667.xx3x.

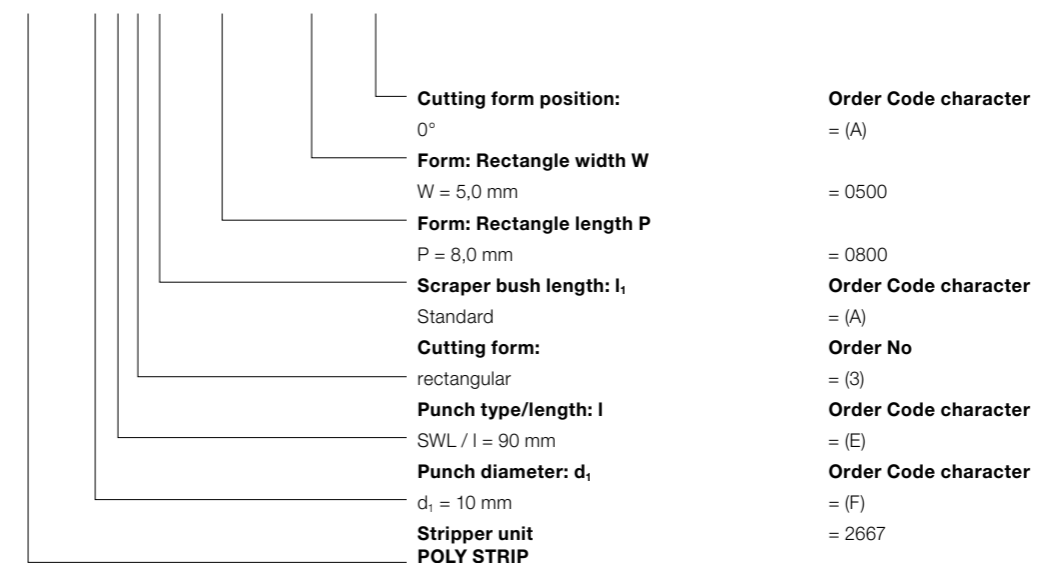
POLY STRIP STRIPPER UNIT, RECTANGLE, FOR BALL-LOCK PUNCH

d _s / (Order Code character)	W _{min}	G _{max}	a	b	e ₂	r ₁	r ₂	Punch type I (Order Code character) I ₂	SWL	SWL	SWS	SWL	SWS	I ₁ (Order Code character) S _(max)	37	40
									(D)	(E)	(G)	(F)	(H)		(A)	(B)
									55.5	65.5	65.5	75.5	75.5		6.5	9.5
10 / (F)	1,6	9,9	44,5	43,7	26,925	9,5	12		●	●	●	●			●	●
13 / (G)	4,5	12,9	50,8	50	29,97	12,7	15,2		●	●	●	●			●	●
16 / (H)	6	15,9	54	53,2	31,75	14,3	16,8		●	●	●	●			●	●
20 / (J)	8	19,9	60,3	59,5	33,53	17,5	20		●	●	●	●			●	●
25 / (K)	10	24,9	69,9	69,1	40,64	22,2	24,7		●	●	●	●			●	●
32 / (L)	12,5	31,9	69,9	69,1	40,64	22,2	24,7		●	●	●	●			●	●
38 / (M)	14	37,9	77,4	76	43,9	26	28,5		●	●		●			●	●
40 / (N)	14	39,9	77,4	76	43,9	26	28,5				●	●			●	●

d _s / (Order Code character)	Punch type Punch length I Stripper bush I ₁	SWL 080 37	SWL 080 40	SWL 090 37	SWL 090 40	SWL 100 37	SWL 100 40	SWS 090 37	SWS 090 40	SWS 100 37	SWS 100 40
10 / (F)	Max. stripping force [N]	1022	884	1280	810	786	1098	1280	810	786	1098
13 / (G)		1022	884	1280	810	786	1098	1280	810	786	1098
16 / (H)		2856	1668	3128	1282	1920	2688	3128	1282	1920	2688
20 / (J)		5049	2714	5124	2180	3120	4368	5124	2180	3120	4368
25 / (K)		5049	2714	5124	2180	3120	4368	5124	2180	3120	4368
32 / (L)		5049	2714	5124	2180	3120	4368	5124	2180	3120	4368
38 / (M)		5049	2714	5124	2180	3120	4368				
40 / (N)								5124	2180	3120	4368

Ordering Code (example):

2667.FE3A.0800.0500.A



POLY STRIP STRIPPER UNIT, SLOT, FOR BALL-LOCK PUNCH

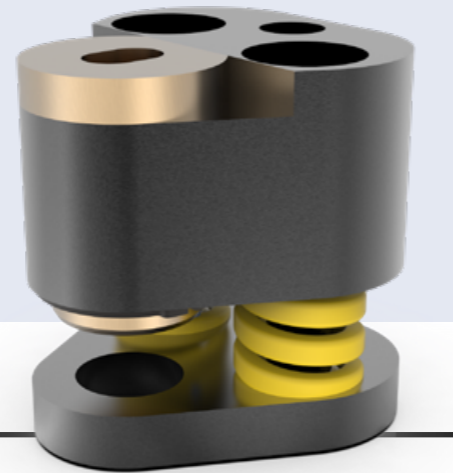
THE BRUSH CLEANER UNIT IS SUITABLE FOR USE WITH EXTERIOR SKIN PANELS.
USE WITH TRIANGULAR MOUNTING PLATE, FOR BALL-LOCK PUNCH 2664.05./06./10.

MATERIAL:

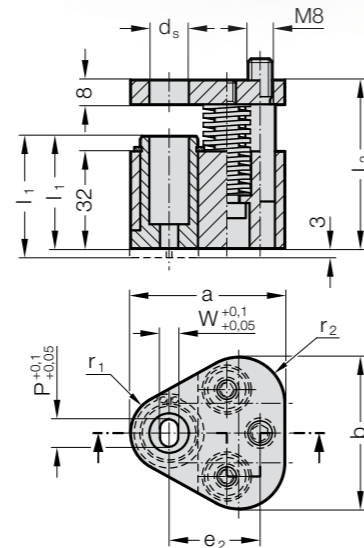
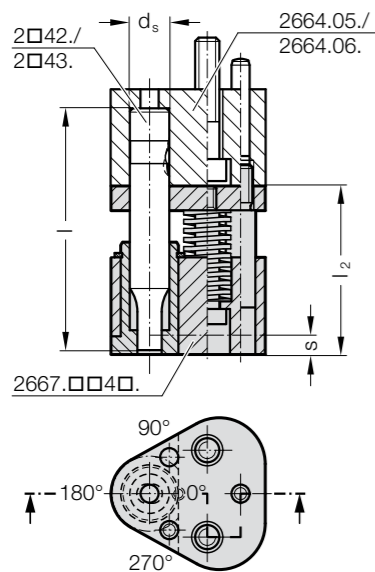
- Scraper bush: CuZn25Al5 (no. 2.0598)
- Scraper plate: 40CrMnMoS8-6 (no. 1.2312)
- Pressure plate: 40CrMnMoS8-6 (no. 1.2312)

NOTE:

The stripper unit is available in 2 variants:
Standard (A) and Long (B).
Long variant of the stripper unit with 3 mm projecting edge suitable for retrofitting a contour.
Choose the position of the cutting form in the scraper bush in accordance with the position of the installed punch in the mounting plate.



2667.xx4x.



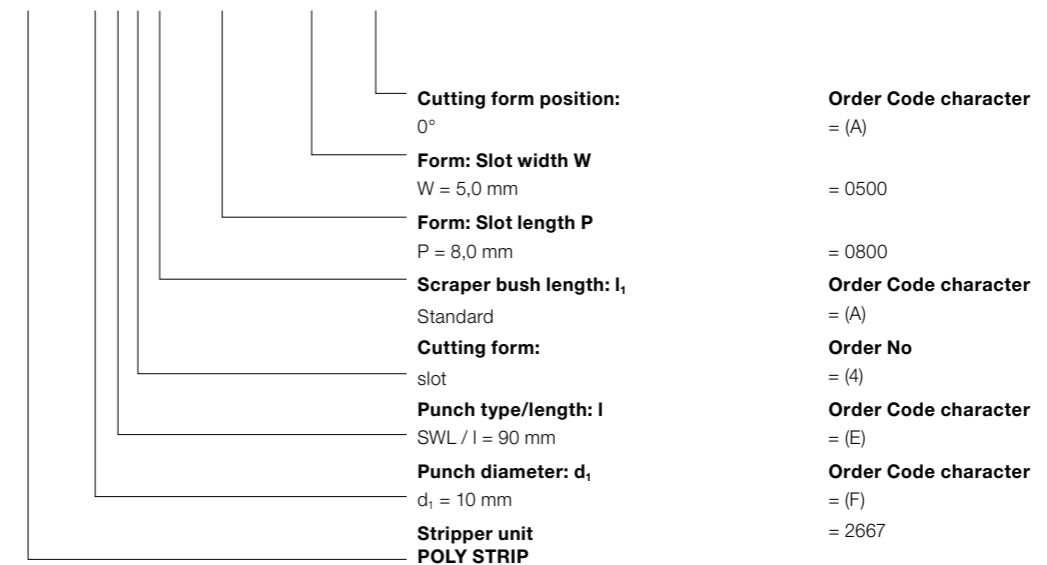
2667.xx4x. POLY STRIP STRIPPER UNIT, SLOT, FOR BALL-LOCK PUNCH

d _s / (Order Code character)	W _{min}	G _{max}	a	b	e ₂	r ₁	r ₂	Punch type					I ₁ (Order Code character)	37 (A)	40 (B)
								I (Order Code character)	SWL (D)	SWL (E)	SWS (G)	SWL (F)			
10 / (F)	1,6	9,9	44,5	43,7	26,925	9,5	12		●	●	●	●		●	●
13 / (G)	4,5	12,9	50,8	50	29,97	12,7	15,2		●	●	●	●		●	●
16 / (H)	6	15,9	54	53,2	31,75	14,3	16,8		●	●	●	●		●	●
20 / (J)	8	19,9	60,3	59,5	33,53	17,5	20		●	●	●	●		●	●
25 / (K)	10	24,9	69,9	69,1	40,64	22,2	24,7		●	●	●	●		●	●
32 / (L)	12,5	31,9	69,9	69,1	40,64	22,2	24,7		●	●	●	●		●	●
38 / (M)	14	37,9	77,4	76	43,9	26	28,5	●	●		●		●	●	
40 / (N)	14	39,9	77,4	76	43,9	26	28,5			●	●		●	●	

d _s / (Order Code character)	Punch type	SWL	SWL	SWL	SWL	SWL	SWL	SWL	SWS	SWS	SWS	SWS
	Punch length I	080	080	090	090	100	100	100	090	090	100	100
	Stripper bush I ₁	37	40	37	40	37	40	37	40	37	40	40
10 / (F)	Max. stripping force [N]	1022	884	1280	810	786	1098	1280	810	786	1098	
13 / (G)		1022	884	1280	810	786	1098	1280	810	786	1098	
16 / (H)		2856	1668	3128	1282	1920	2688	3128	1282	1920	2688	
20 / (J)		5049	2714	5124	2180	3120	4368	5124	2180	3120	4368	
25 / (K)		5049	2714	5124	2180	3120	4368	5124	2180	3120	4368	
32 / (L)		5049	2714	5124	2180	3120	4368	5124	2180	3120	4368	
38 / (M)		5049	2714	5124	2180	3120	4368					
40 / (N)								5124	2180	3120	4368	

Ordering Code (example):

2667.FE4A.0800.0500.A



POLY STRIP STRIPPER UNIT, SQUARE WITH RADIUS, FOR BALL-LOCK PUNCH

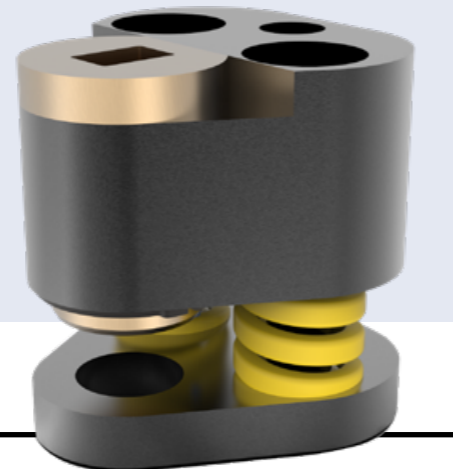
THE BRUSH CLEANER UNIT IS SUITABLE FOR USE WITH EXTERIOR SKIN PANELS.
USE WITH TRIANGULAR MOUNTING PLATE, FOR BALL-LOCK PUNCH 2664.05./06./10.

MATERIAL:

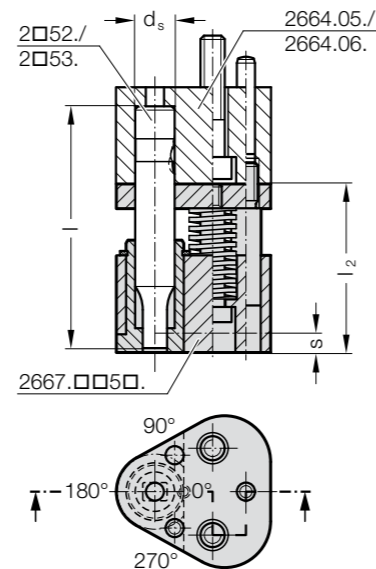
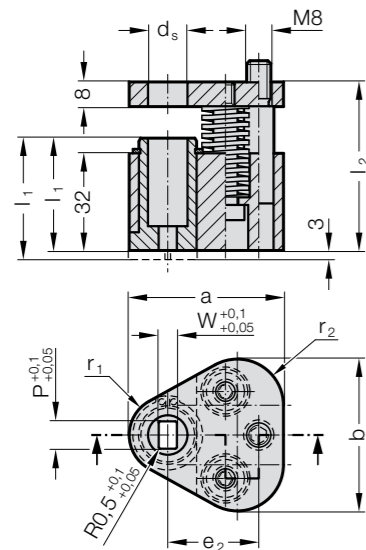
- Scraper bush: CuZn25Al5 (no. 2.0598)
- Scraper plate: 40CrMnMoS8-6 (no. 1.2312)
- Pressure plate: 40CrMnMoS8-6 (no. 1.2312)

NOTE:

The stripper unit is available in 2 variants: Standard (A) and Long (B).
Long variant of the stripper unit with 3 mm projecting edge suitable for retrofitting a contour.
Choose the position of the cutting form in the scraper bush in accordance with the position of the installed punch in the mounting plate.



2667.xx5x.



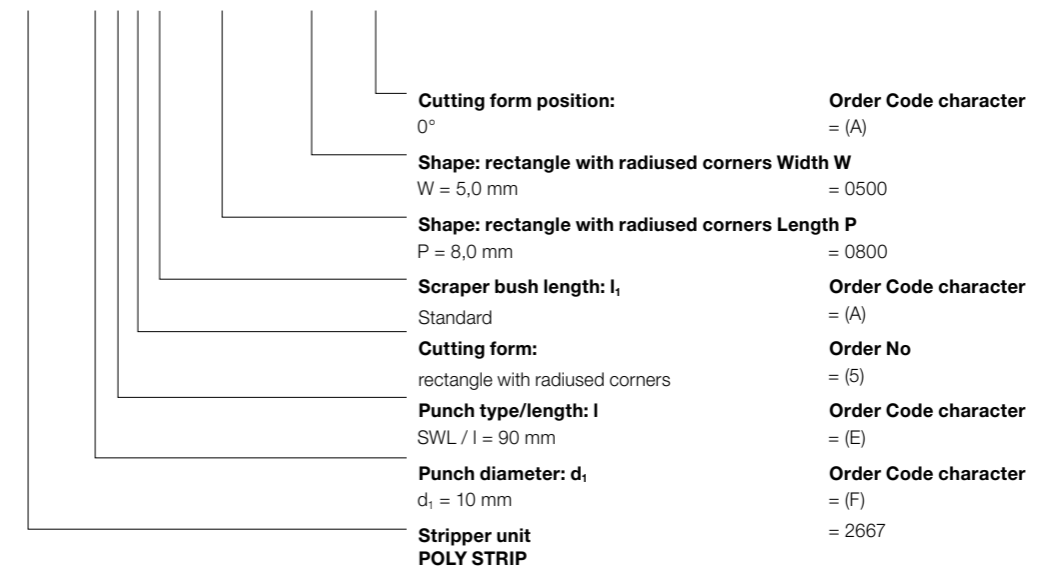
2667.xx5x. POLY STRIP STRIPPER UNIT, SQUARE WITH RADIUS, FOR BALL-LOCK PUNCH

d _s / (Order Code character)	W _{min}	G _{max}	a	b	e ₂	r ₁	r ₂	Punch type I (Order Code character) l ₂	SWL	SWL	SWS	SWL	SWS	I ₁ (Order Code character) S _(max)	37	40
									(D) 80	(E) 90	(G) 90	(F) 100	(H) 100		(A) 6.5	(B) 9.5
10 / (F)	1,6	9,9	44,5	43,7	26,925	9,5	12				●	●	●		●	●
13 / (G)	4,5	12,9	50,8	50	29,97	12,7	15,2				●	●	●		●	●
16 / (H)	6	15,9	54	53,2	31,75	14,3	16,8				●	●	●		●	●
20 / (J)	8	19,9	60,3	59,5	33,53	17,5	20				●	●	●		●	●
25 / (K)	10	24,9	69,9	69,1	40,64	22,2	24,7				●	●	●		●	●
32 / (L)	12,5	31,9	69,9	69,1	40,64	22,2	24,7				●	●	●		●	●
38 / (M)	14	37,9	77,4	76	43,9	26	28,5		●	●		●			●	●
40 / (N)	14	39,9	77,4	76	43,9	26	28,5				●		●		●	●

d _s / (Order Code character)	Punch type I (Order Code character) Stripper bush l ₁	SWL 080 37	SWL 080 40	SWL 090 37	SWL 090 40	SWL 100 37	SWL 100 40	SWS 090 37	SWS 090 40	SWS 100 37	SWS 100 40
10 / (F)	Max. stripping force [N]	1022	884	1280	810	786	1098	1280	810	786	1098
13 / (G)		1022	884	1280	810	786	1098	1280	810	786	1098
16 / (H)		2856	1668	3128	1282	1920	2688	3128	1282	1920	2688
20 / (J)		5049	2714	5124	2180	3120	4368	5124	2180	3120	4368
25 / (K)		5049	2714	5124	2180	3120	4368	5124	2180	3120	4368
32 / (L)		5049	2714	5124	2180	3120	4368	5124	2180	3120	4368
38 / (M)		5049	2714	5124	2180	3120	4368				
40 / (N)								5124	2180	3120	4368

Ordering Code (example):

2667.FE5A.0800.0500.A



FIBRO GMBH

Geschäftsbereich Normalien
August-Läpple-Weg
74855 Hassmersheim
GERMANY
T +49 6266 73-0
info@fibro.de
www.fibro.com

THE LÄPPLE GROUP

LÄPPLE AUTOMOTIVE
FIBRO
FIBRO LÄPPLE TECHNOLOGY
LÄPPLE AUS- UND WEITERBILDUNG