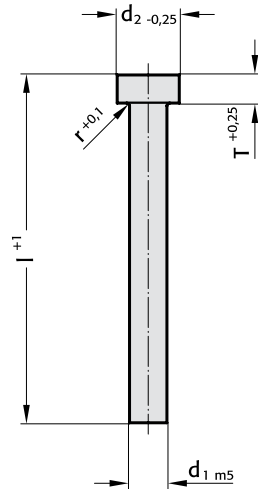


PUNCH, BLANK, ISO 8020

2201.

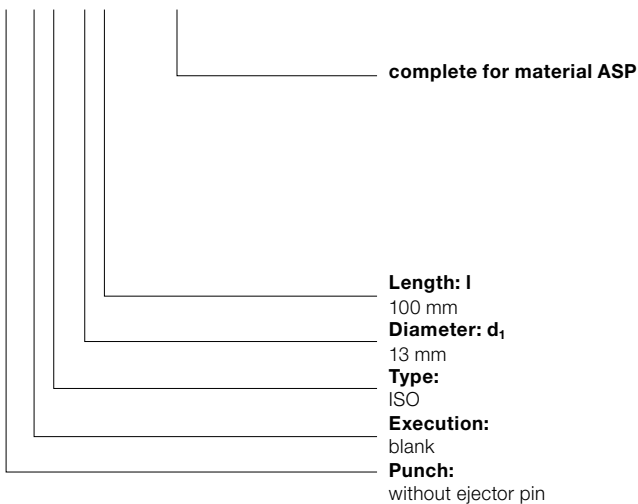


2201. Punch, blank, ISO 8020

| d_1 / Order No | d_2 | r | T | l / (Order Code character) | 71 (D) | 80 (E) | 90 (F) | 100 (G) | 120 (J) | 150 (M) | 200 (N) |
|------------------|-------|------|---|----------------------------|-----------|-----------|-----------|------------|------------|------------|------------|
| 3 / (1) | 5 | 0.25 | 3 | | ● | ● | ● | ● | ● | | |
| 4 / (2) | 6 | 0.25 | 3 | | ● | ● | ● | ● | ● | | |
| 5 / (3) | 8 | 0.3 | 5 | | ● | ● | ● | ● | ● | | |
| 6 / (4) | 9 | 0.3 | 5 | | ● | ● | ● | ● | ● | | |
| 8 / (5) | 11 | 0.3 | 5 | | ● | ● | ● | ● | ● | | |
| 10 / (6) | 13 | 0.3 | 5 | | ● | ● | ● | ● | ● | ● | |
| 13 / (7) | 16 | 0.4 | 5 | | ● | ● | ● | ● | ● | ● | |
| 16 / (8) | 19 | 0.4 | 5 | | ● | ● | ● | ● | ● | ● | ● |
| 20 / (9) | 23 | 0.4 | 5 | | ● | ● | ● | ● | ● | ● | ● |
| 25 / (10) | 28 | 0.4 | 5 | | ● | ● | ● | ● | ● | ● | ● |
| 32 / (11) | 35 | 0.4 | 5 | | ● | ● | ● | ● | ● | ● | ● |

Ordering Code (example):

2201.7G .ASP



Material:

HSS
Hardness:
Shaft 64 ± 2 HRC
Head 52 ± 5 HRC

ASP 23 - ASP 2023
upon request

Description of FIBRO materials for tool and die components see at the beginning of Chapter E.

Execution:

Punch head hot upset-forged. Shoulder and shaft fine ground.
Special dimensions on request.

Order Code character

= (G)

Order No

= (7)

Order No

= (1)

Order No

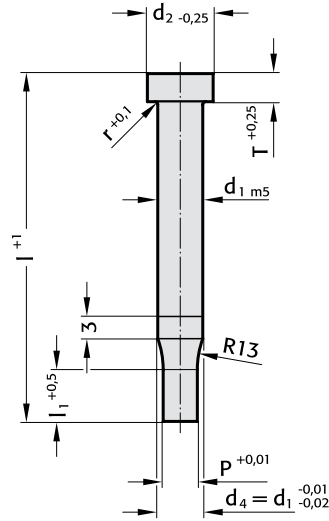
= (0)

= 22

PUNCH, STEPPED, ROUND, ISO 8020



2211.



2211. Punch, stepped, round, ISO 8020

| d ₁ / Order No | d ₂ | P | I ₁ / Order No | r | T | I / (Order Code character) | 71 (D) | 80 (E) | 90 (F) | 100 (G) | 120 (J) |
|---------------------------|----------------|-------------|---------------------------|------|---|----------------------------|--------|--------|--------|---------|---------|
| 3 / (1) | 5 | 0,8 - 2,9 | 8 (1) 10 (2) | 0,25 | 3 | | ● | ● | ● | ● | ● |
| 4 / (2) | 6 | 1 - 3,9 | 8 (1) 13 (3) | 0,25 | 3 | | ● | ● | ● | ● | ● |
| 5 / (3) | 8 | 1,5 - 4,9 | 13 (3) 19 (4) | 0,3 | 5 | | ● | ● | ● | ● | ● |
| 6 / (4) | 9 | 1,6 - 5,9 | 13 (3) 19 (4) | 0,3 | 5 | | ● | ● | ● | ● | ● |
| 8 / (5) | 11 | 2,5 - 7,9 | 19 (4) 25 (5) | 0,3 | 5 | | ● | ● | ● | ● | ● |
| 10 / (6) | 13 | 4 - 9,9 | 19 (4) 25 (5) | 0,3 | 5 | | ● | ● | ● | ● | ● |
| 13 / (7) | 16 | 5 - 12,9 | 19 (4) 25 (5) | 0,4 | 5 | | ● | ● | ● | ● | ● |
| 16 / (8) | 19 | 8 - 15,9 | 19 (4) 25 (5) | 0,4 | 5 | | ● | ● | ● | ● | ● |
| 20 / (9) | 23 | 12 - 19,9 | 19 (4) 25 (5) | 0,4 | 5 | | ● | ● | ● | ● | ● |
| 25 / (10) | 28 | 16,5 - 24,9 | 19 (4) 25 (5) | 0,4 | 5 | | ● | ● | ● | ● | ● |
| 32 / (11) | 35 | 20 - 31,9 | 25 (5) 30 (6) | 0,4 | 5 | | ● | ● | ● | ● | ● |

Material:

HSS

Hardness:

Shaft 64 ± 2 HRC

Head 52 ± 5 HRC

ASP 23 - ASP 2023

upon request

☞ Description of FIBRO materials for tool and die components see at the beginning of Chapter E.

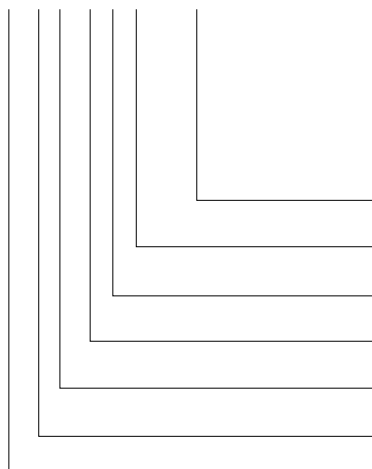
Execution:

Punch head hot upset-forged. Shoulder, shaft and punch diameter fine ground.

Special dimensions on request.

Ordering Code (example):

2211.7G4.0720



Shape: round

P = Ø 7,2 mm

Punch cutting length: I₁

19 mm

Length: I

100 mm

Diameter: d₁

13 mm

Type:

ISO

Execution:

round

Punch:

without ejector pin

= 0720

Order No

= (4)

Order Code character

= (G)

Order No

= (7)

Order No

= (1)

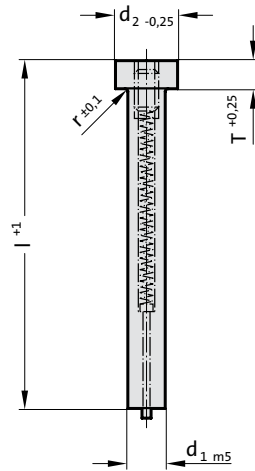
Order No

= (1)

= 22

PUNCH, BLANK, WITH EJECTOR PIN, ISO 8020

2701.

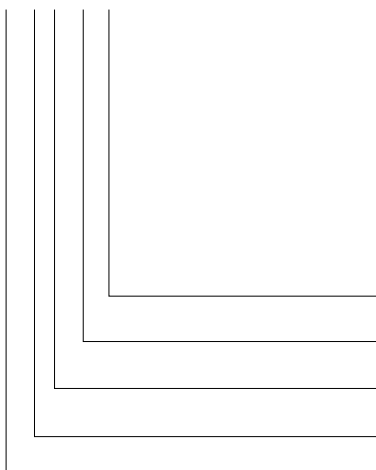


2701. Punch, blank, with ejector pin, ISO 8020

| d ₁ / Order No | d ₂ | r | T | l / (Order Code character) | 71 (D) | 80 (E) | 90 (F) | 100 (G) | 120 (J) |
|---------------------------|----------------|-----|---|----------------------------|-----------|-----------|-----------|------------|------------|
| 5 / (3) | 8 | 0.3 | 5 | | ● | ● | ● | ● | ● |
| 6 / (4) | 9 | 0.3 | 5 | | ● | ● | ● | ● | ● |
| 8 / (5) | 11 | 0.3 | 5 | | ● | ● | ● | ● | ● |
| 10 / (6) | 13 | 0.3 | 5 | | ● | ● | ● | ● | ● |
| 13 / (7) | 16 | 0.4 | 5 | | ● | ● | ● | ● | ● |
| 16 / (8) | 19 | 0.4 | 5 | | ● | ● | ● | ● | ● |
| 20 / (9) | 23 | 0.4 | 5 | | ● | ● | ● | ● | ● |
| 25 / (10) | 28 | 0.4 | 5 | | ● | ● | ● | ● | ● |
| 32 / (11) | 35 | 0.4 | 5 | | ● | ● | ● | ● | ● |

Ordering Code (example):

2701.8G



Length: l
100 mm
Diameter: d₁
16 mm
Type:
ISO
Execution:
blank
Punch:
with ejector pin

Order Code character
= (G)
Order No
= (8)
Order No
= (1)
Order No
= (0)
= 27

Material:

HSS
Hardness:
Shaft 64 ± 2 HRC
Head 52 ± 5 HRC

Execution:

Punch head hot upset-forged. Shoulder and shaft fine ground.
Special dimensions on request.